
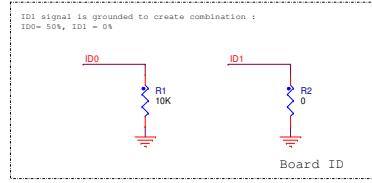
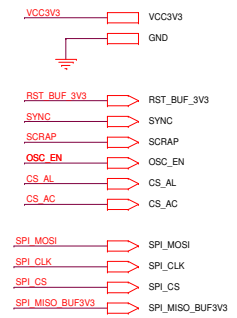
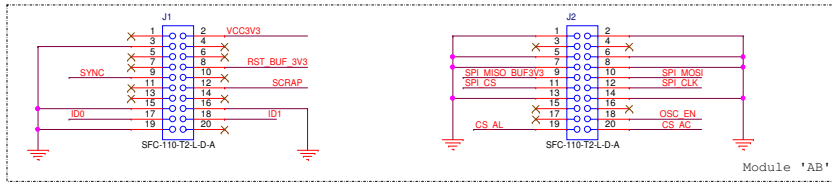
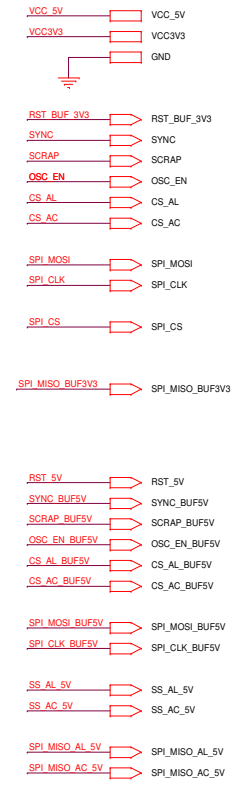
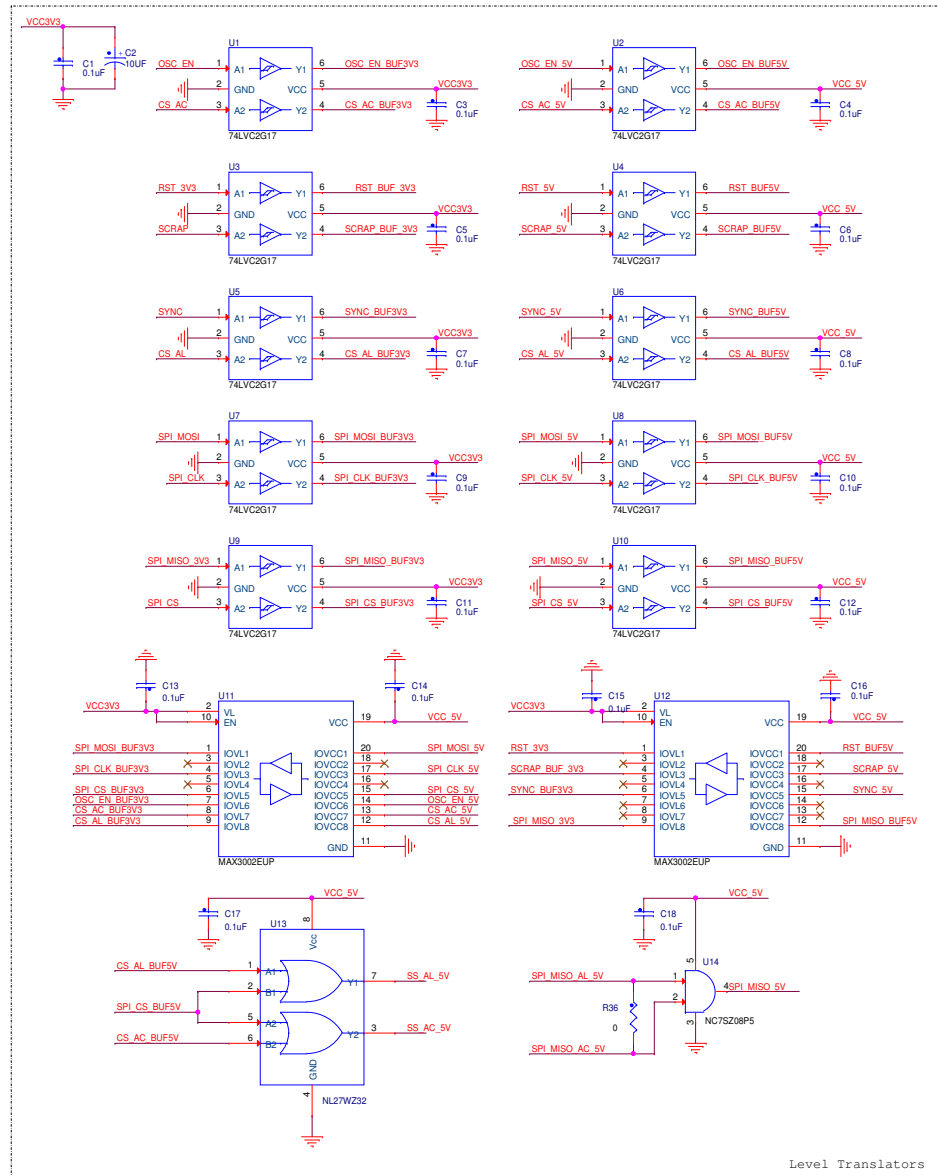
				
ICAP Classification:		FCP:	FLUQ: X	PUBI:
Drawing Title:				
TWRPI-PSI5V1.3				
Page Title:				
TITLE PAGE				
Size C	Document Number	SCH-26915 PDF: SPF-26915	Rev C	
Date:	Thursday, July 28, 2011	Sheet	1 of 7	

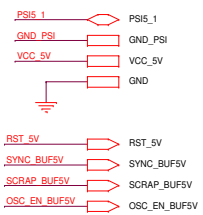
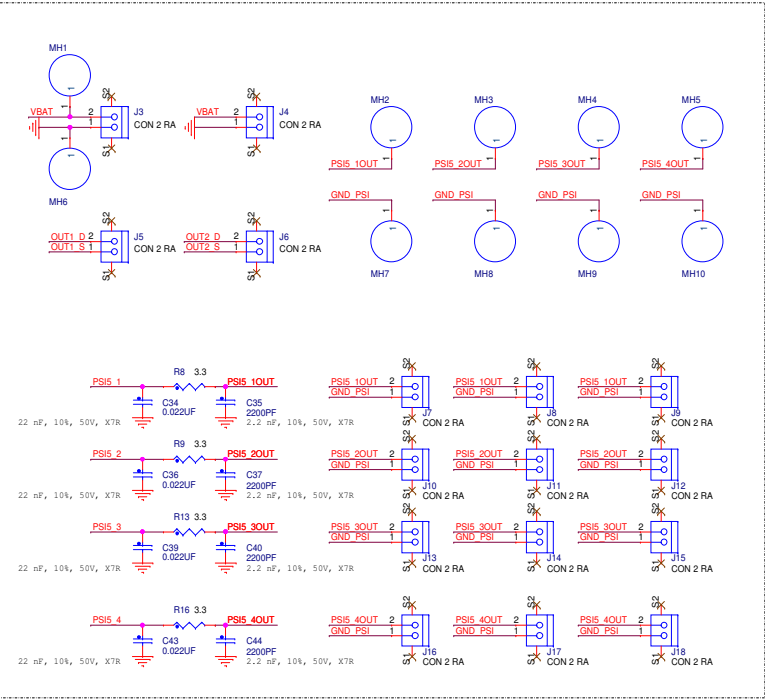
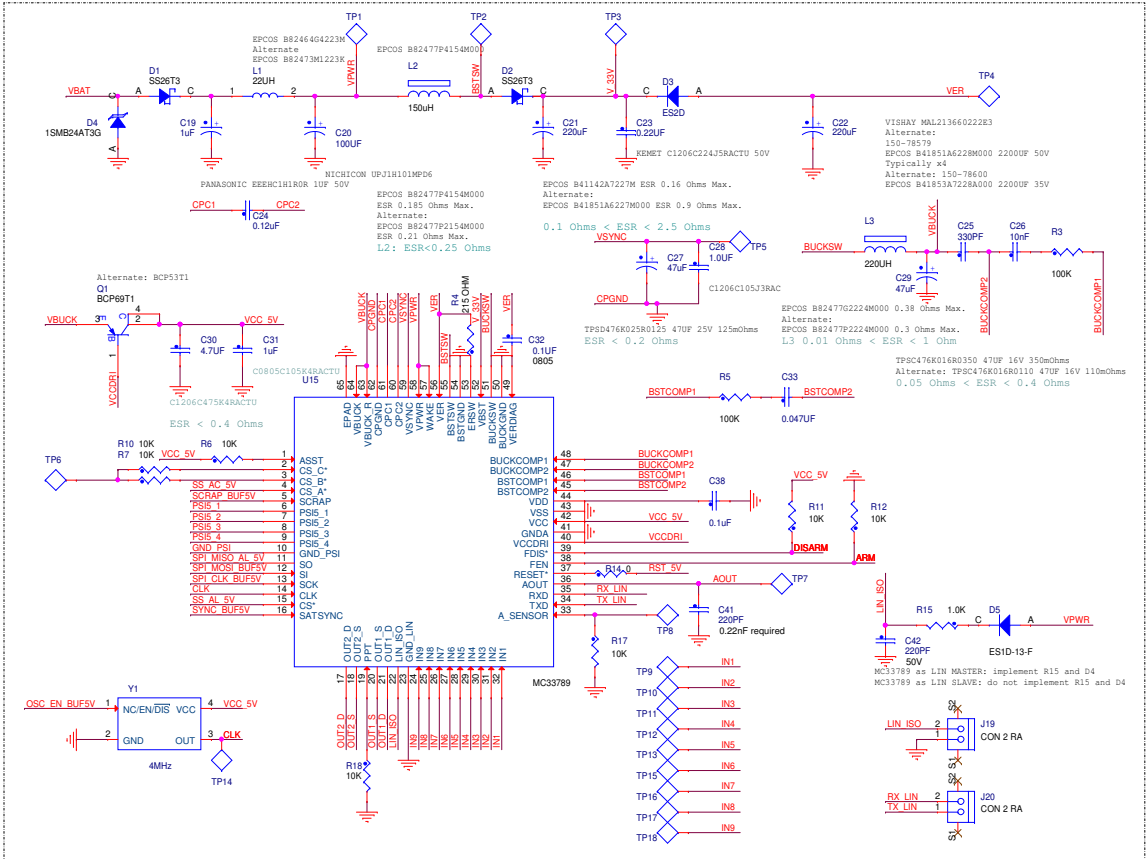


			
ICAP Classification:		FCP:	FLIQ: X
Drawing Title:		PUB:	
TWRPI-PSI5V1.3			
Page Title:			
NOTES			
Size C	Document Number	SCH-26915 PDF: SPF-26915	Rev C
Date:	Thursday, July 28, 2011	Sheet	2 of 7





Level Translators



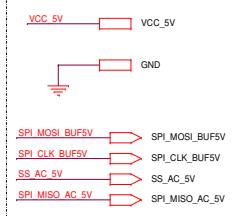
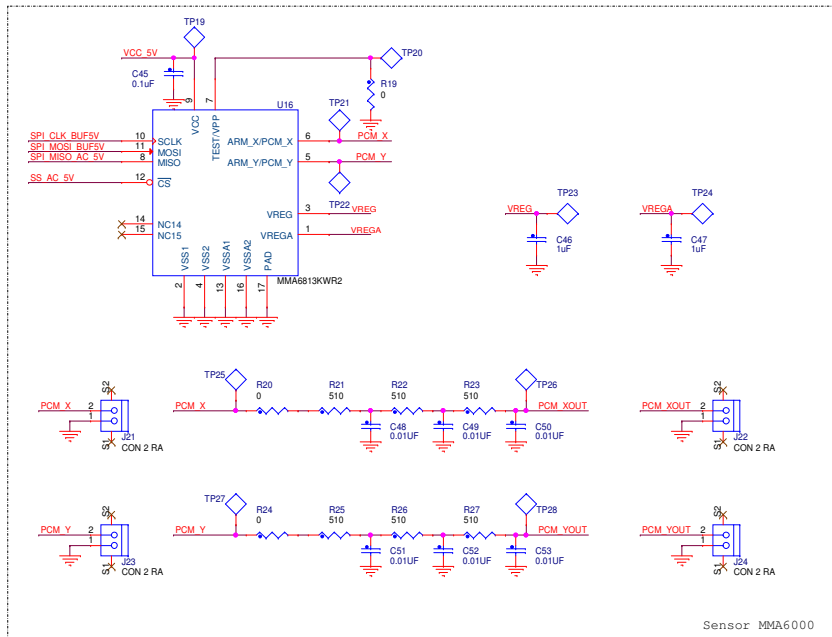
freescale™
semiconductor

ICAP Classification: FCP: FLUC: X PUBI:

Drawing Title:
TWRPI-PSI5V1.3

Page Title:
PSIS MC33789

Size C	Document Number	SCH-26915 PDF: SPF-26915	Rev C
Date:	Thursday, July 28, 2011	Sheet 5 of 7	



Sensor MMA6000

