

A

A

# Freescale Tower Kaibab Board

B

B

C

C

D

D

**PROPRIETARY NOTICE**

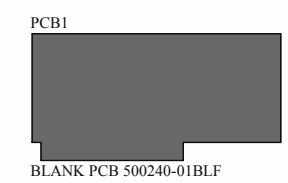
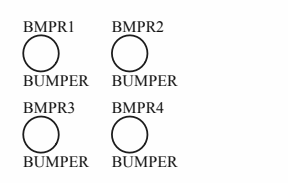
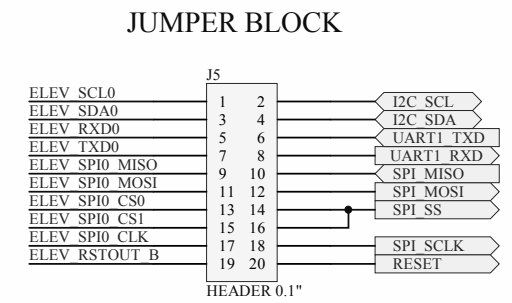
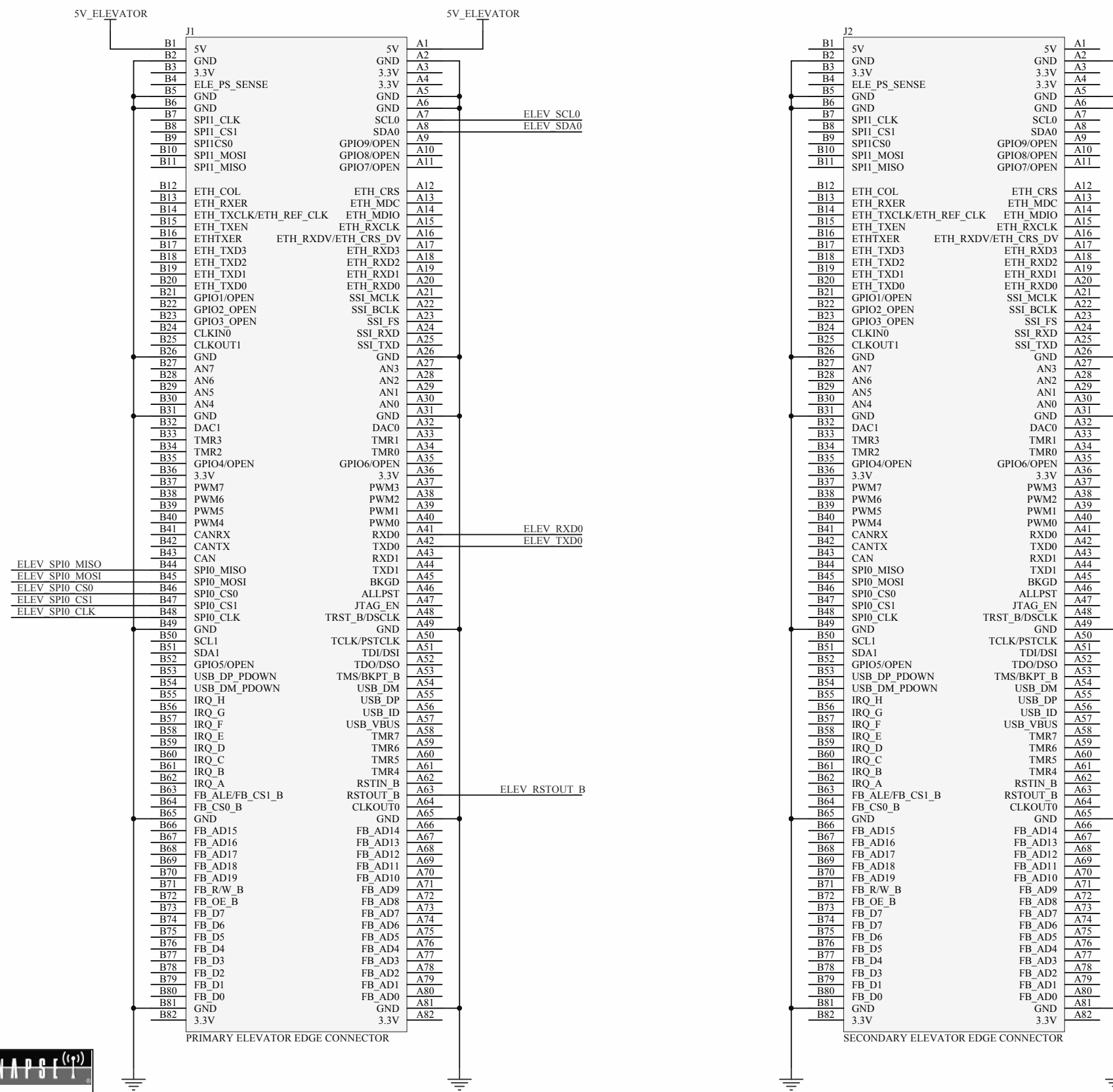
This document contains proprietary information and such information may not be disclosed to others for any purpose or used for manufacturing purposes without written permission from Synapse Wireless Inc.  
 The United States Government and other recipients shall not be bound by this restriction to the extent they have by written contract acquired greater rights.



Synapse Wireless Inc.  
 500 Discovery Drive  
 Huntsville, AL  
 35806  
 256-852-7888

Title			Freescale Tower Kaibab Board Schematics		
Size	Number	Revision			
Tabloid	200240-01BLF	B			
Date:	1/14/2011	Sheet 1 of 5			
File:	C:\Altium Projects\Tower_pg1.SchDoc	Drawn By: Cary McCormick			

# Elevator Connectors



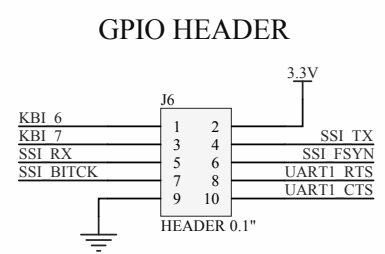
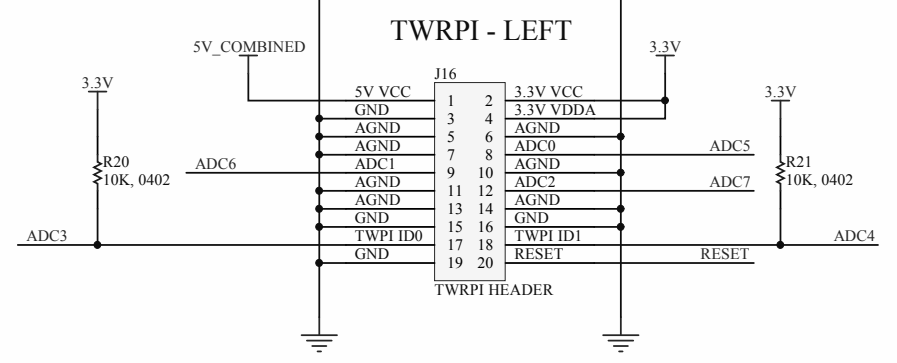
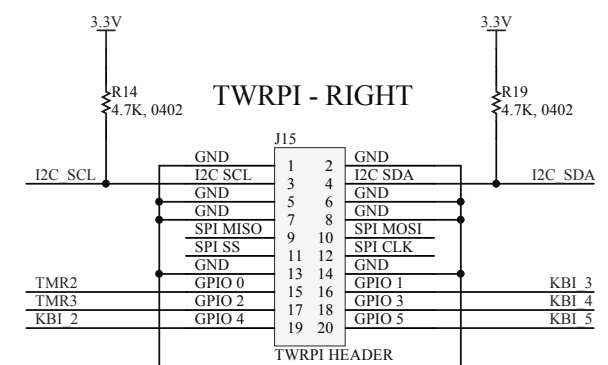
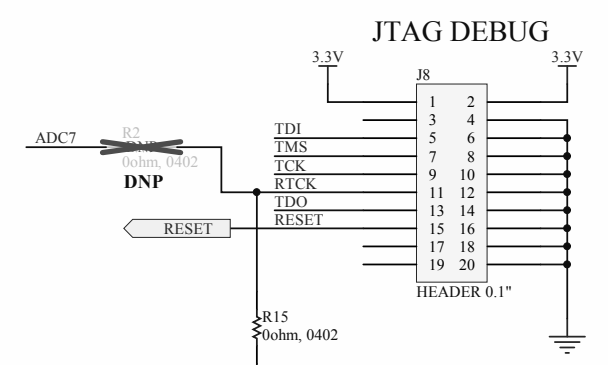
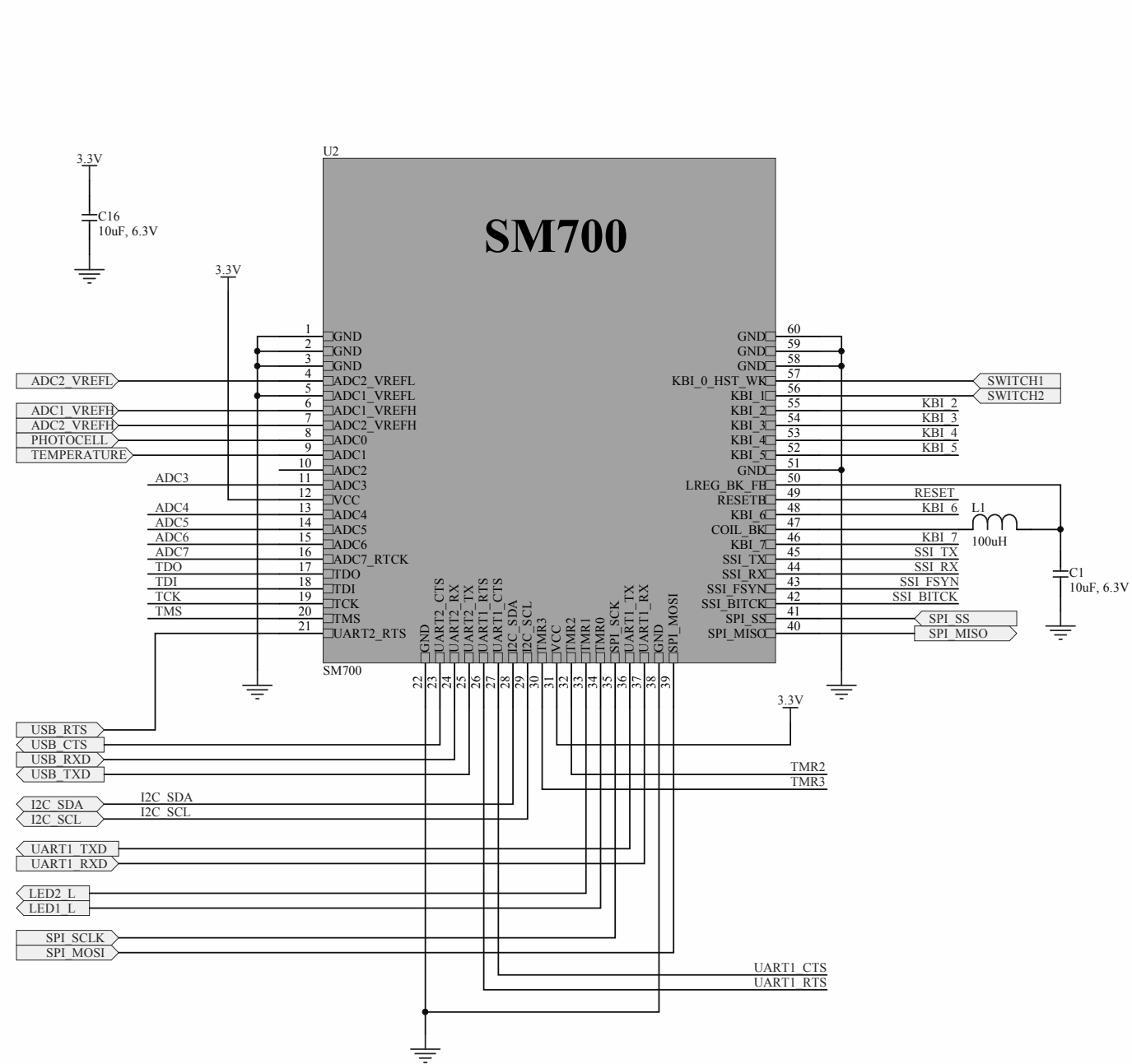
**PROPRIETARY NOTICE**

This document contains proprietary information and such information may not be disclosed to others for any purpose or used for manufacturing purposes without written permission from Synapse Wireless Inc. The United States Government and other recipients shall not be bound by this restriction to the extent they have by written contract acquired greater rights.

Synapse Wireless Inc.  
500 Discovery Drive  
Huntsville, AL  
35806  
256-852-7888

Title: Freescale Tower Kaibab Board Schematics		
Size: Tabloid	Number: 200240-01BLF	Revision: B
Date: 1/14/2011	Sheet2 of 5	Drawn By: Cary McCormick
File: C:\Altium Projects\Tower_pg2.SchDoc		

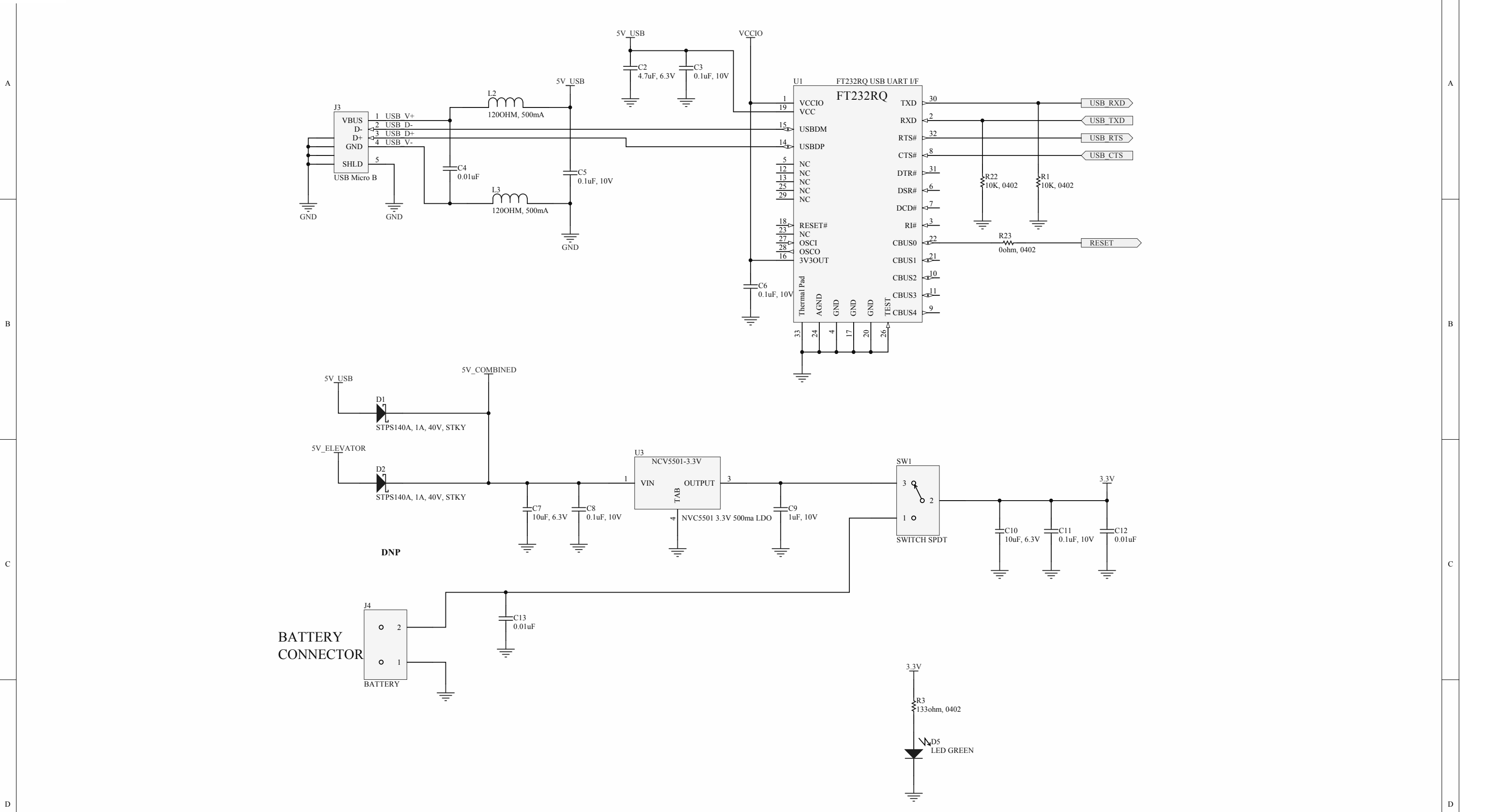
# Kaibab RFE



**PROPRIETARY NOTICE**  
 This document contains proprietary information and such information may not be disclosed to others for any purpose or used for manufacturing purposes without written permission from Synapse Wireless Inc. The United States Government and other recipients shall not be bound by this restriction to the extent they have by written contract acquired greater rights.

**SYNAPSE**  
 Synapse Wireless Inc.  
 500 Discovery Drive  
 Huntsville, AL  
 35806  
 256-852-7888

Title: Freescale Tower Kaibab Board Schematics		
Size: Tabloid	Number: 200240-01BLF	Revision: B
Date: 1/14/2011	Sheet 3 of 5	
File: C:\Altium Projects\Tower_pg3.SchDoc	Drawn By: Cary McCormick	



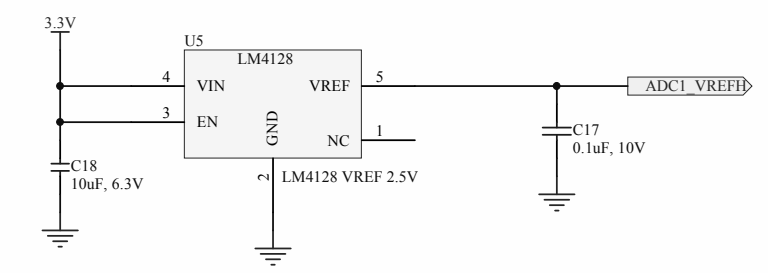
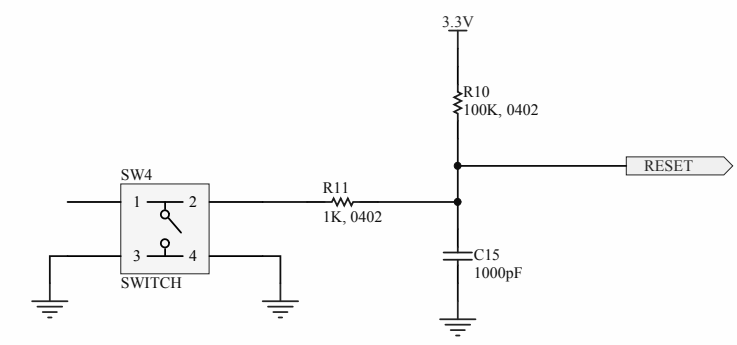
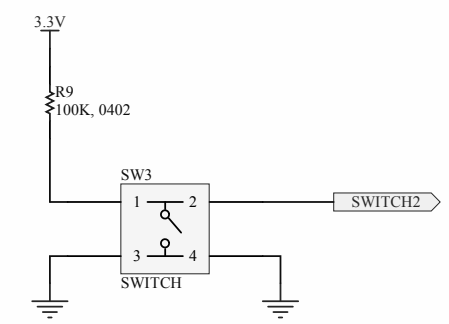
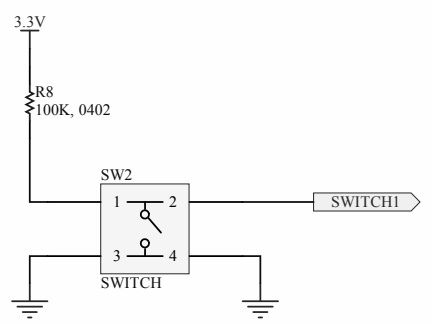
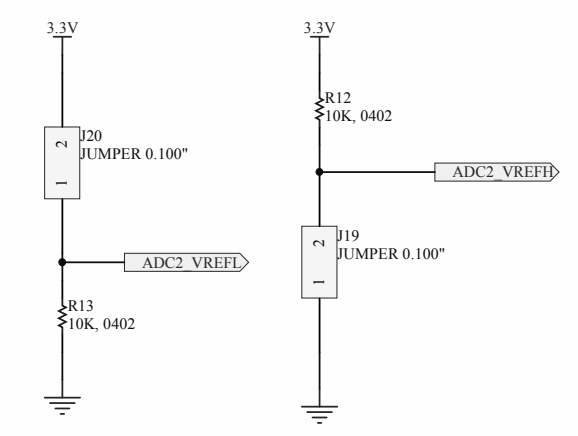
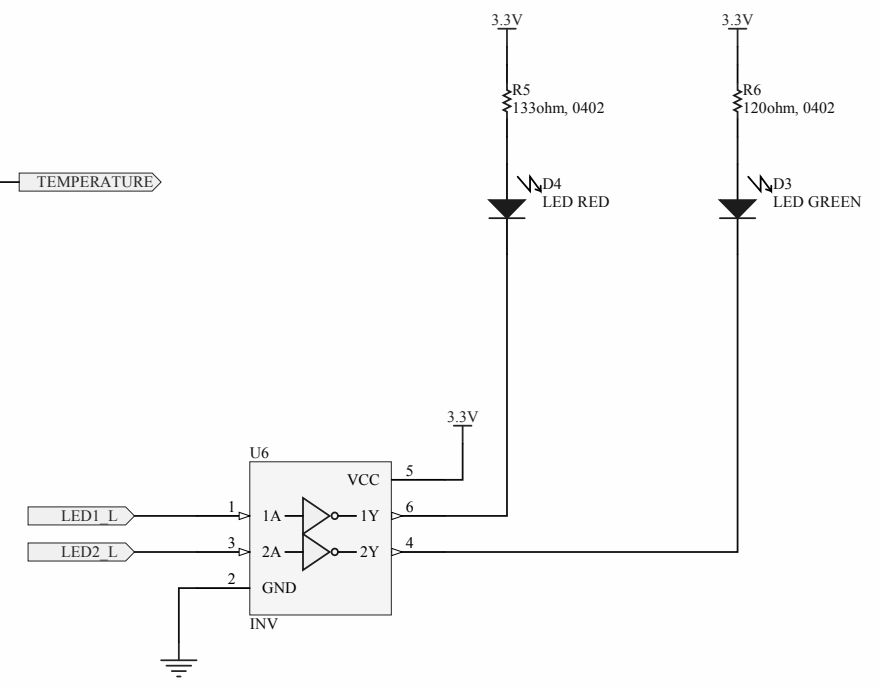
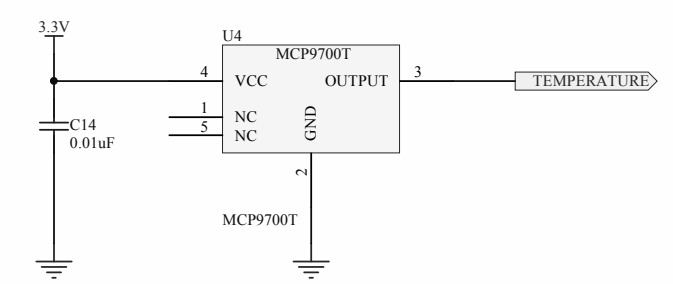
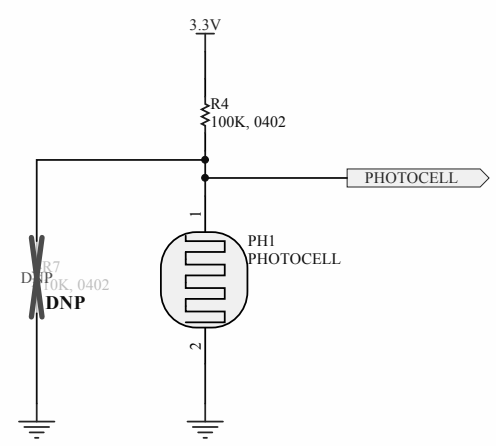
**PROPRIETARY NOTICE**

This document contains proprietary information and such information may not be disclosed to others for any purpose or used for manufacturing purposes without written permission from Synapse Wireless Inc. The United States Government and other recipients shall not be bound by this restriction to the extent they have by written contract acquired greater rights.



Synapse Wireless Inc.  
500 Discovery Drive  
Huntsville, AL  
35806  
256-852-7888

Title Freescale Tower Kaibab Board Schematics		
Size Tabloid	Number 200240-01BLF	Revision B
Date: 1/14/2011	Sheet4 of 5	
File: C:\Altium Projects\Tower_pg4.SchDoc	Drawn By: Cary McCormick	



**PROPRIETARY NOTICE**  
 This document contains proprietary information and such information may not be disclosed to others for any purpose or used for manufacturing purposes without written permission from Synapse Wireless Inc.  
 The United States Government and other recipients shall not be bound by this restriction to the extent they have by written contract acquired greater rights.

Synapse Wireless Inc.  
 500 Discovery Drive  
 Huntsville, AL 35806  
 256-852-7888

Title <b>Freescale Tower Kaibab Board Schematics</b>		
Size Tabloid	Number <b>200240-01BLF</b>	Revision <b>B</b>
Date: 1/14/2011	Sheet 5 of 5	
File: C:\Altium Projects\Tower_pg5.SchDoc	Drawn By: Cary McCormick	