

2	NOTES
3	SEGMENT LCD SECTION

Revisions			
Rev	Description	Date	Approved
X1	Initial release	05-Aug-10	Norman Michael
A	Proto Type Release	12-Aug-10	Norman Michael
B	Silk screen location change in board file. There is no change in Schematics. Shematics rev has been changed from A to B since there is an change in board file revision from A to B	28-Sep-10	Norman Michael

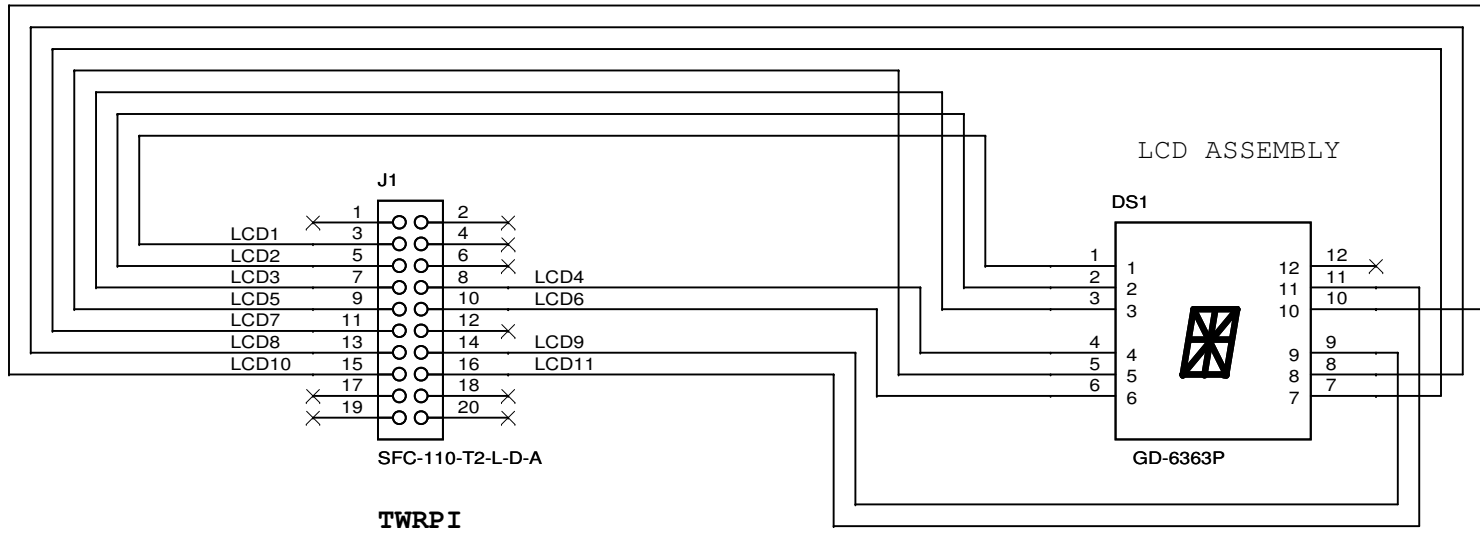
		Microcontroller Solutions Group 6501 William Cannon Drive West Austin, TX 78735-8598	
This document contains information proprietary to Freescale Semiconductor and shall not be used for engineering design, procurement or manufacture in whole or in part without the express written permission of Freescale Semiconductor.			
Designer: Manjula		Drawing Title: TWRPI-SLCD	
Drawn by: Manjula		Page Title: TITLE PAGE	
Approved: Norman, Michael		Size A	Document Number SCH-26817 PDF: SPF-26817
		Date: Wednesday, September 29, 2010	Sheet 1 of 3
			Rev B

	5	4	3	2	1
D					
C					
B					
A					
	5	4	3	2	1



NOTES:

ICAP Classification: FCP: ___ FIUO: X PUBL: ___		
Drawing Title:		
TWRPI-SLCD		
Page Title:		
NOTES		
Size A	Document Number SCH-26817 PDF: SPF-26817	Rev B
Date:	Wednesday, September 29, 2010	Sheet 2 of 3



ICAP Classification: FCP: ___ FIUO: X PUBL: ___
 Drawing Title:
TWRPI-SLCD
 Page Title:
SEGMENT LCD SECTION

Size A	Document Number SCH-26817 PDF: SPF-26817	Rev B
Date: Wednesday, September 29, 2010	Sheet 3 of 3	