


| Table of Contents | |
|-------------------|------------------------|
| 1 | TITLE, TOC & REV |
| 2 | ECONODUAL HALF BRIDGE |
| 3 | ECONODUAL POWER SUPPLY |

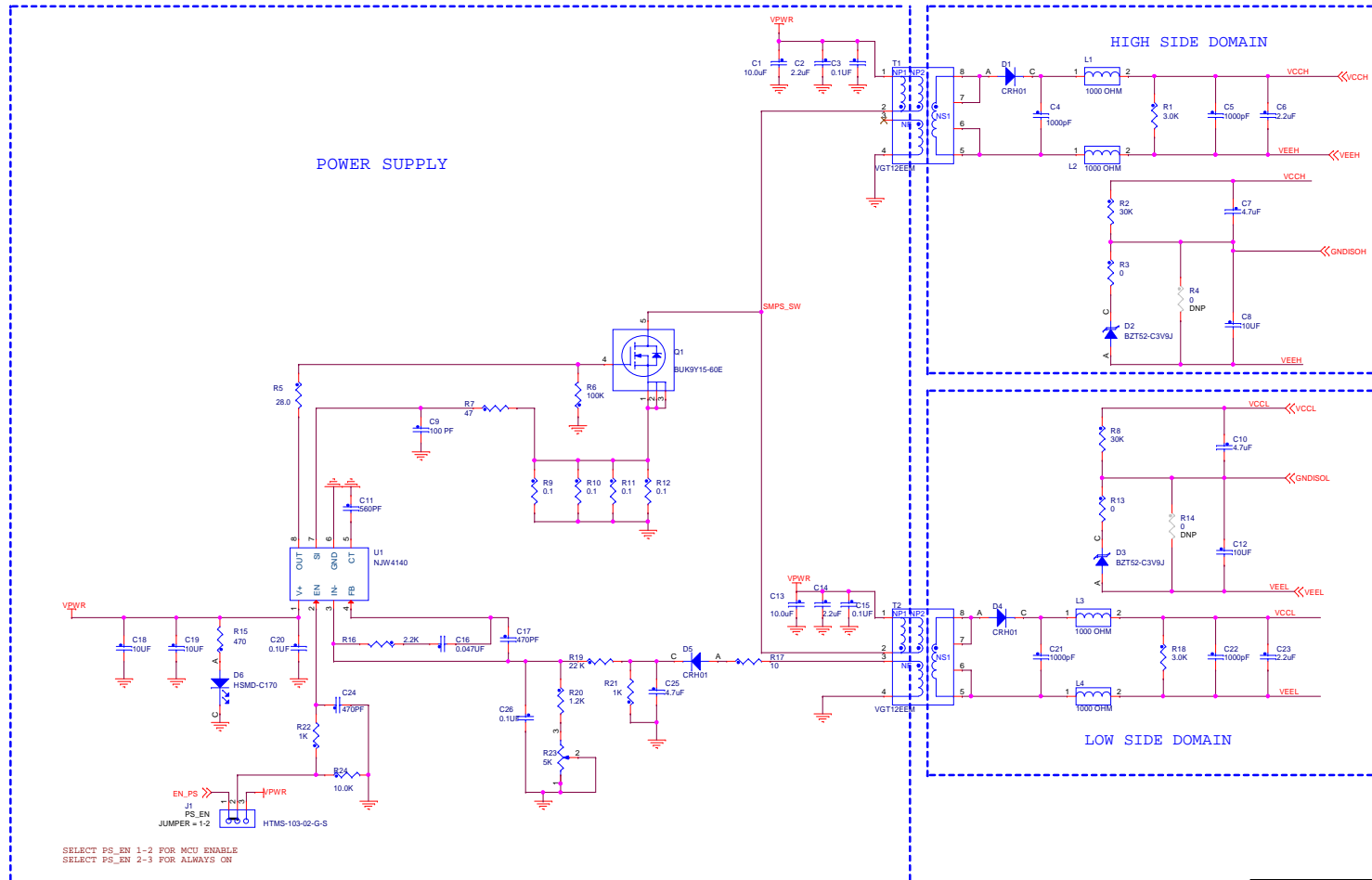
| Revisions | | | |
|-----------|---|-----------|---------------|
| Rev | Description | Date | Approved |
| X1 | Original Release to NCL template format Added mmcx connectors to replace BNC/SMA versions Add socket pins for SIC module connections Change gate resistors to 3.3 GH and 4.7 GL both phases Change gate capacitance to DNP Added 2 pin headers for collectors measurements ADDED LATEST CLAMP FILTER COMPONENTS ADDED POWER LED AND ENABLE FOR NJW4140 CONNECTED INTBL INTBH TO 3.3V (FRDM) CHANGED R82 TO 536 Ohms REMOVED 0 OHM SHORTS FOR PWMALT H/L ADDED 0 OHM RESISTORS FOR VDD TO VSUP OPTION DUPLICATED HB3160 VEE VCCREG H AND L CIRCUIT | 02-Aug-18 | Pierre Calmes |
| X2 | Capacitor place updated. | 09-JUN-20 | JIM SHEPARD |
| A | Release A085 | 26-JUN-20 | JIM SHEPARD |
| A1 | Cap update from 0805X225J500SNT to UMK212BB7225K6 | 08-JUL-20 | Pierre Calmes |

FRDMGD31ECNEVM

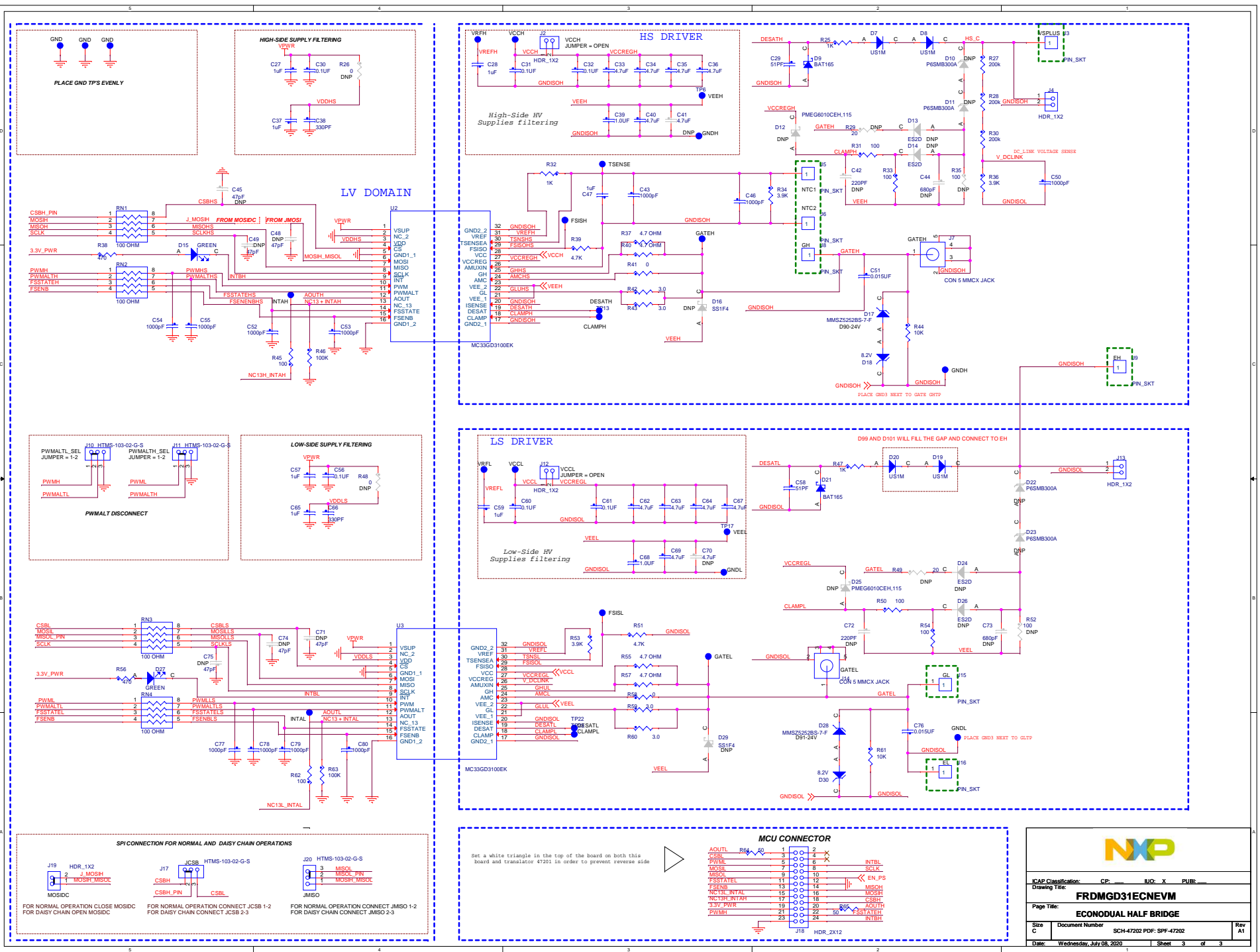
| | | | |
|---|--|---|------------|
|  | | Automotive Product Group 6501 Williams Cannon Drive West Austin, TX 78725-6598 | |
| <small>This document contains information proprietary to NXP and shall not be used for engineering design, procurement or manufacture in whole or in part without the express written permission of NXP Semiconductors.</small> | | | |
| © NXP SEMICONDUCTORS | | | |
| Designer: Jim Shepard | Drawing Title: FRDMGD31ECNEVM | Classification: <CP> | <PU> <PUB> |
| Drawn by: Jim Shepard | Page Title: TITLE, TOC & REV | | |
| Approved: Pierre Calmes | Size: C | Document Number: SCH-47202 PDF: SPF-47202 | Rev: A1 |
| Date: Wednesday, July 08, 2020 | Sheet 1 of 3 | | |

| REF DES | JUMPER | PAGE NAME |
|-----------------|--------|---------------------------------|
| J1 | 1-2 | 02 - ECONODUAL SIC POWER SUPPLY |
| J19,J17,J10,J11 | 1-2 | 03 - ECONODUAL_HB |
| J20 | 2-3 | 03 - ECONODUAL_HB |
| J2,J13,J12,J4 | OPEN | 03 - ECONODUAL_HB |

| REF DES | ASSY_OPT | PAGE NAME |
|---|----------|---------------------------------|
| R4,R14 | DNP | 02 - ECONODUAL SIC POWER SUPPLY |
| D23,R49,D22,C41,D14,R35,D16, D25,C45,D13,C44,C75,C74,D12, D29,R52,D24,C70,C71,C72,C42, C48,R26,D26,R29,D10,D11,C49, C73,R48 | DNP | 03 - ECONODUAL_HB |



| | |
|---|--|
| EAP Classification: CP: _____ IUC: X PUB: _____ | |
| Drawing Title: FRDMGD31ECNEVM | |
| Page Title: ECONODUAL POWER SUPPLY | |
| Size C | Document Number SCH-47202 PDF: SPF-47202 |
| Date: Wednesday, July 08, 2020 | Sheet 2 of 3 |



NXP

FRDMGD31ECNEVM

GAP Classification: CP- IUC: X PUB:
 Drawing Title: **FRDMGD31ECNEVM**
 Page Title: **ECONODUAL HALF BRIDGE**
 Size C Document Number: SCH-47202 PDF: SPF-47202 Rev A1
 Date: Wednesday, July 08, 2020 Sheet 3 of 3