
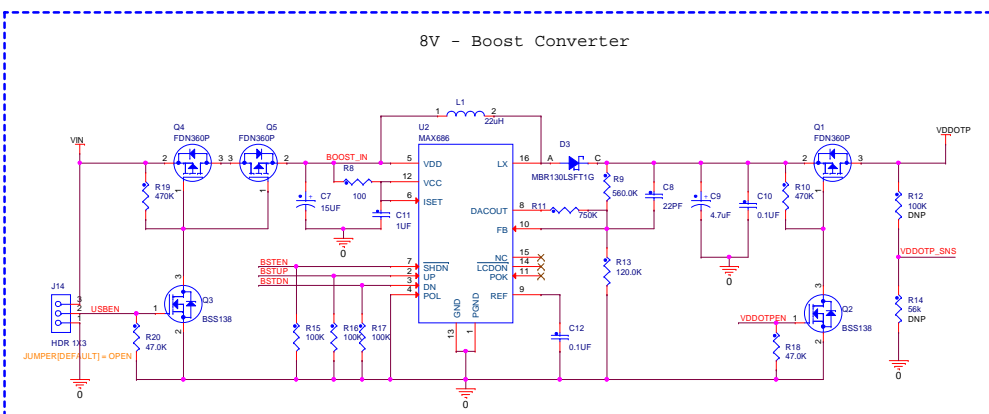
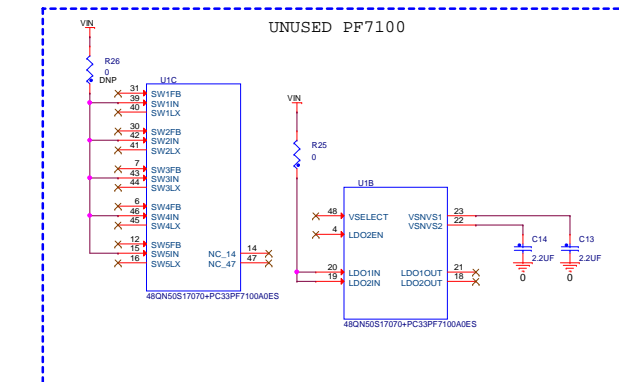
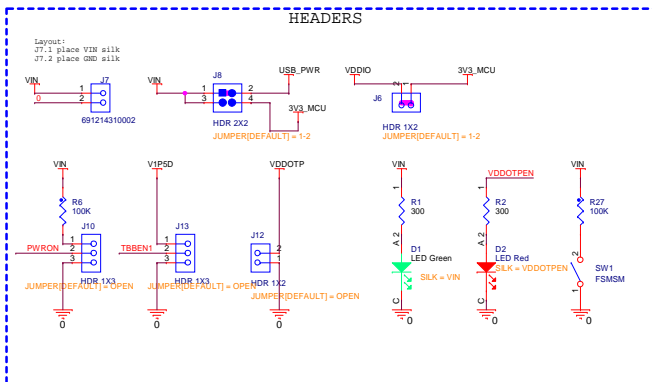
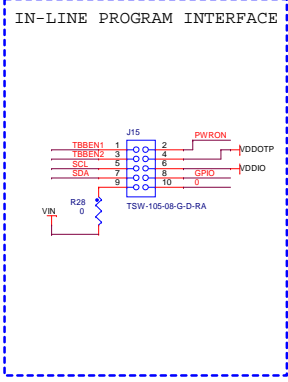
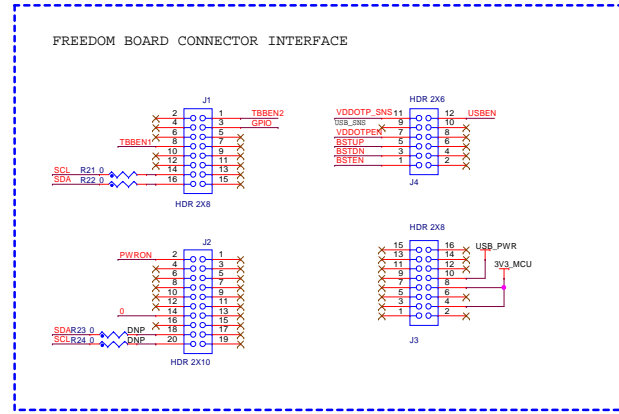
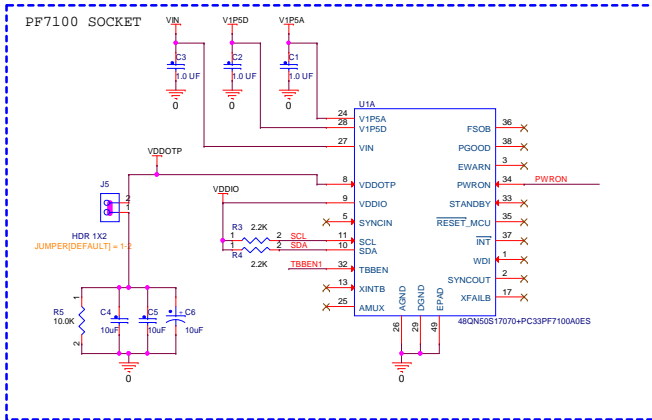
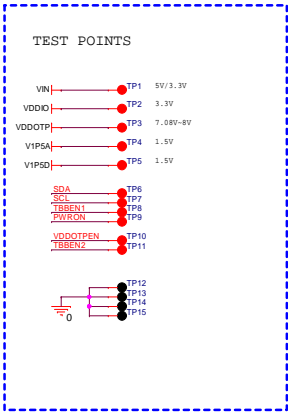


Table of Contents	
1	TITLE, TOC & REV
2	02-PF7100FRDMPGM
3	APPENDIX JUMPER/DNP/SWITCH

Revisions			
Rev	Description	Date	Approved
X1	Initial Draft	01/22/19	Wenhua Chen
A	Release A085	02/27/19	Wenhua Chen
A1	Update 1X2 and 2X2 headers.	04/01/19	Wenhua Chen
A2	Update board name.	08/15/19	Wenhua Chen

KITPF7100FRDMPGM

		Automotive Product Group 6501 William Cannon Drive West Austin, TX 78735-8598	
<small>This document contains information proprietary to NXP and shall not be used for engineering design, procurement or manufacture in whole or in part without the express written permission of NXP Semiconductors.</small>			
ICAP Classification: CP:		IUC: X PUB:	
Designer: Wenhua Chen	Drawing Title: KITPF7100FRDMPGM		
Drawn by: Kate Fan	Page Title: TITLE, TOC & REV		
Approved: Wenhua Chen	Size C	Document Number SCH-45757 PDF: SPF-45757	Rev A2
Date: Wednesday, August 14, 2019		Sheet 1 of 3	



ICAP Classification:	CP: _____	NO: X PURL: _____
Drawing Title: KITPF7100FRDMPGM		
Page Title: PF7100FRDMPGM		
Size C	Document Number: SCH-45757 PDF: SPF-45757	Rev A2
Date: Wednesday, August 14, 2019	Sheet 2	of 3

REF DES	JUMPER[DEFAULT]	PAGE NAME
J5,J6,J8	1-2	02-PF7100FRDMPGM
J14,J12,J13,J10	OPEN	02-PF7100FRDMPGM

REF DES	ASSY_OPT	PAGE NAME
R24,R14,R26,R23,R12	DNP	02-PF7100FRDMPGM



ICAP Classification: CP: _____ I/O: X PUR: _____	
Drawing Title: KITPF7100FRDMPGM	
Page Title: APPENDIX JUMPER/DNP/SWITCH	
Size C	Document Number SCH-45757 PDF: SPF-45757
Date: Wednesday, August 14, 2019	Sheet 3 of 3