
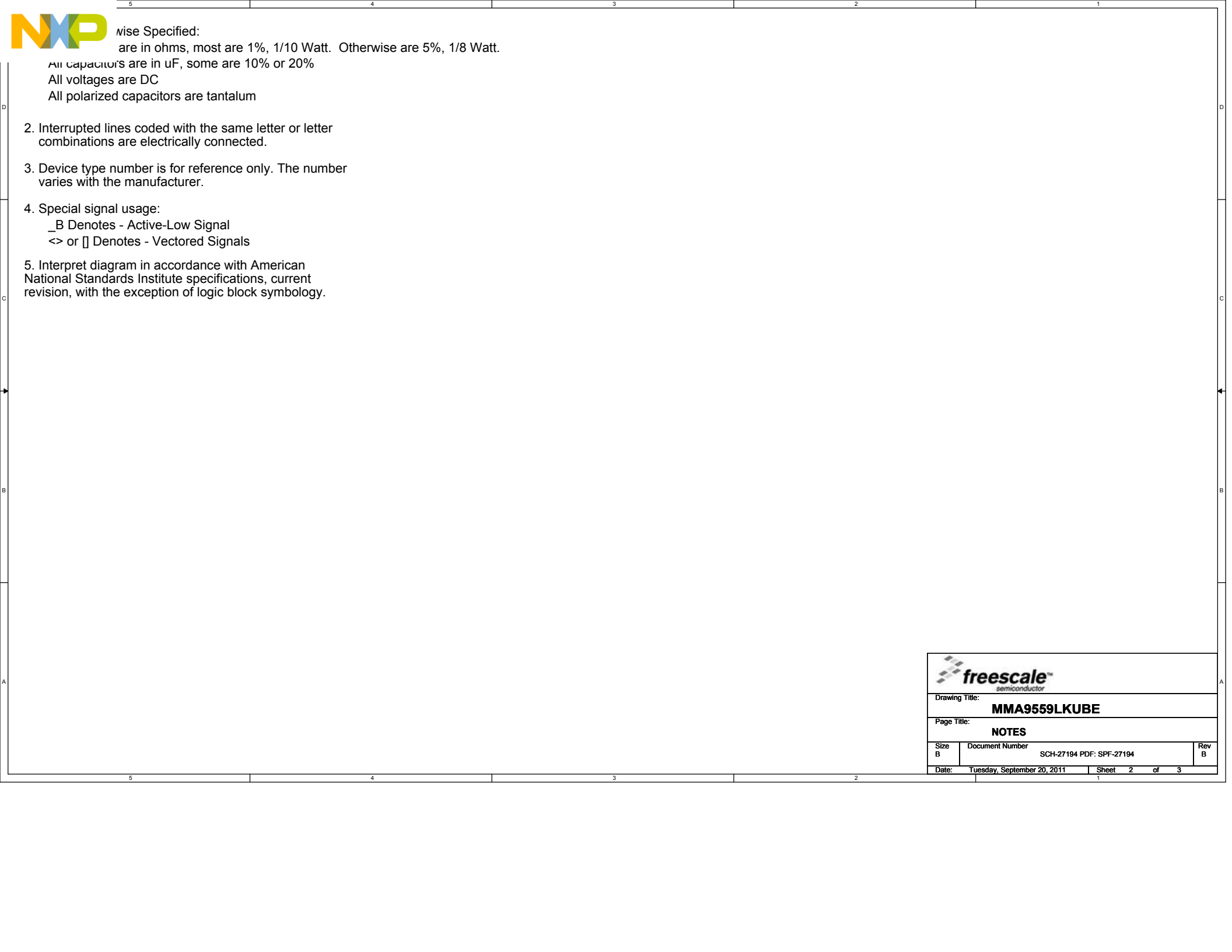


| Revisions |  |         |
|-----------|--|---------|
| Rev       | Description  | Date    |
| A         | Original Release   | 5-26-11 |
| B         | Added On/Off switch<br>Updated R1, R2, and R3<br>with new values | 9-20-11 |

|   |  |  |   |
|---|--|--|---|
|    |  | <b>RASG - Inertial</b><br>2100 E. Elliot Rd<br>Tempe, AZ 85284 |   |
| This document contains information proprietary to Freescale Semiconductor and shall not be used for engineering design, procurement or manufacture in whole or in part without the express written permission of Freescale Semiconductor. |  |  |   |
| Designer:<br>J. Scott   |  | Drawing Title:<br><b>MMA9559LKUBE</b>                          |   |
| Drawn by:<br>S. Mejja   |  | Page Title:<br><b>Table of Contents</b>                        |   |
| Approved:<br>N. Spence  |  | Size<br>B  | Document Number<br>SCH-27194 PDF: SPF-27194 |
| Date: Wednesday, September 21, 2011   |  | Sheet 1 of 3   | Rev B                                       |



otherwise Specified:  
 are in ohms, most are 1%, 1/10 Watt. Otherwise are 5%, 1/8 Watt.

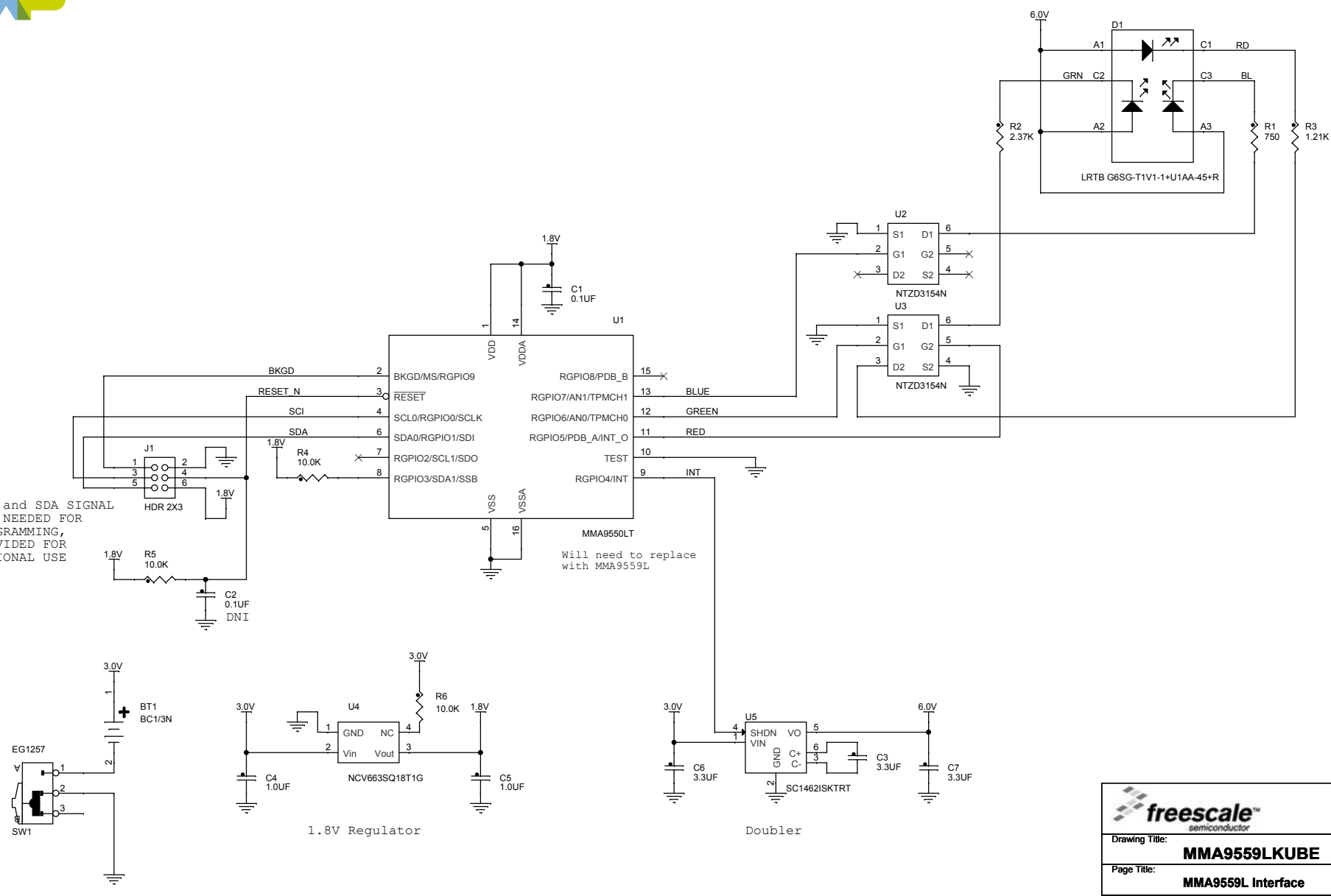
All capacitors are in uF, some are 10% or 20%  
 All voltages are DC  
 All polarized capacitors are tantalum

2. Interrupted lines coded with the same letter or letter combinations are electrically connected.
3. Device type number is for reference only. The number varies with the manufacturer.
4. Special signal usage:  
 \_B Denotes - Active-Low Signal  
 <> or [] Denotes - Vectored Signals
5. Interpret diagram in accordance with American National Standards Institute specifications, current revision, with the exception of logic block symbology.

|                                    |   |          |
|------------------------------------|---|----------|
|                                    |   |          |
| Drawing Title: <b>MMA9559LKUBE</b> |   |          |
| Page Title: <b>NOTES</b>           |   |          |
| Size<br>B                          | Document Number<br>SCH-27194 PDF: SPF-27194 | Rev<br>B |
| Date: Tuesday, September 20, 2011  | Sheet 2 of 3                                |          |



SCI and SDA SIGNAL  
NOT NEEDED FOR  
PROGRAMMING,  
PROVIDED FOR  
OPTIONAL USE



Will need to replace  
with MMA9559L

1.8V Regulator

Doubler

|                                       |   |       |
|---------------------------------------|---|-------|
|                                       |   |       |
| Drawing Title: <b>MMA9559LKUBE</b>    |   |       |
| Page Title: <b>MMA9559L Interface</b> |   |       |
| Size B                                | Document Number<br>SCH-27194 PDF: SPF-27194 | Rev B |
| Date: Wednesday, September 21, 2011   | Sheet 3 of 3                                |       |