
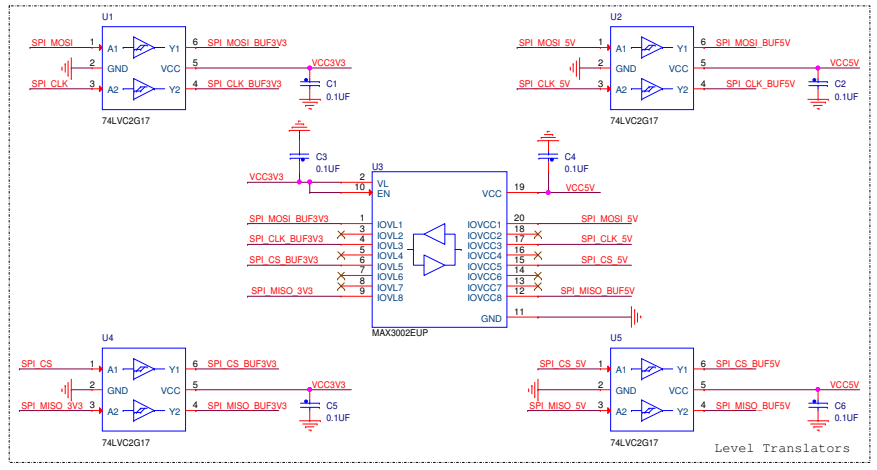
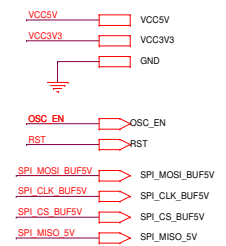
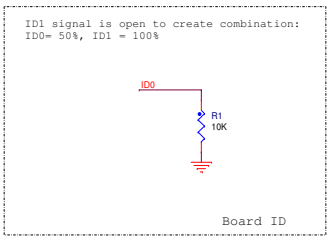
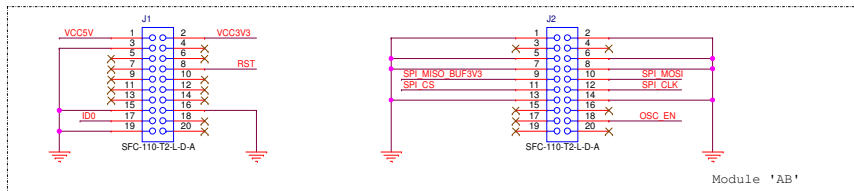
			
ICAP Classification:		FCP:	FLUQ: X
Drawing Title:		PUB:	
TWRPI-DS12.5			
Page Title:			
INTRODUCTION			
Size C	Document Number	SCH-26895 PDF: SPF-26895	Rev A
Date:	Monday, June 13, 2011	Sheet	1 of 5

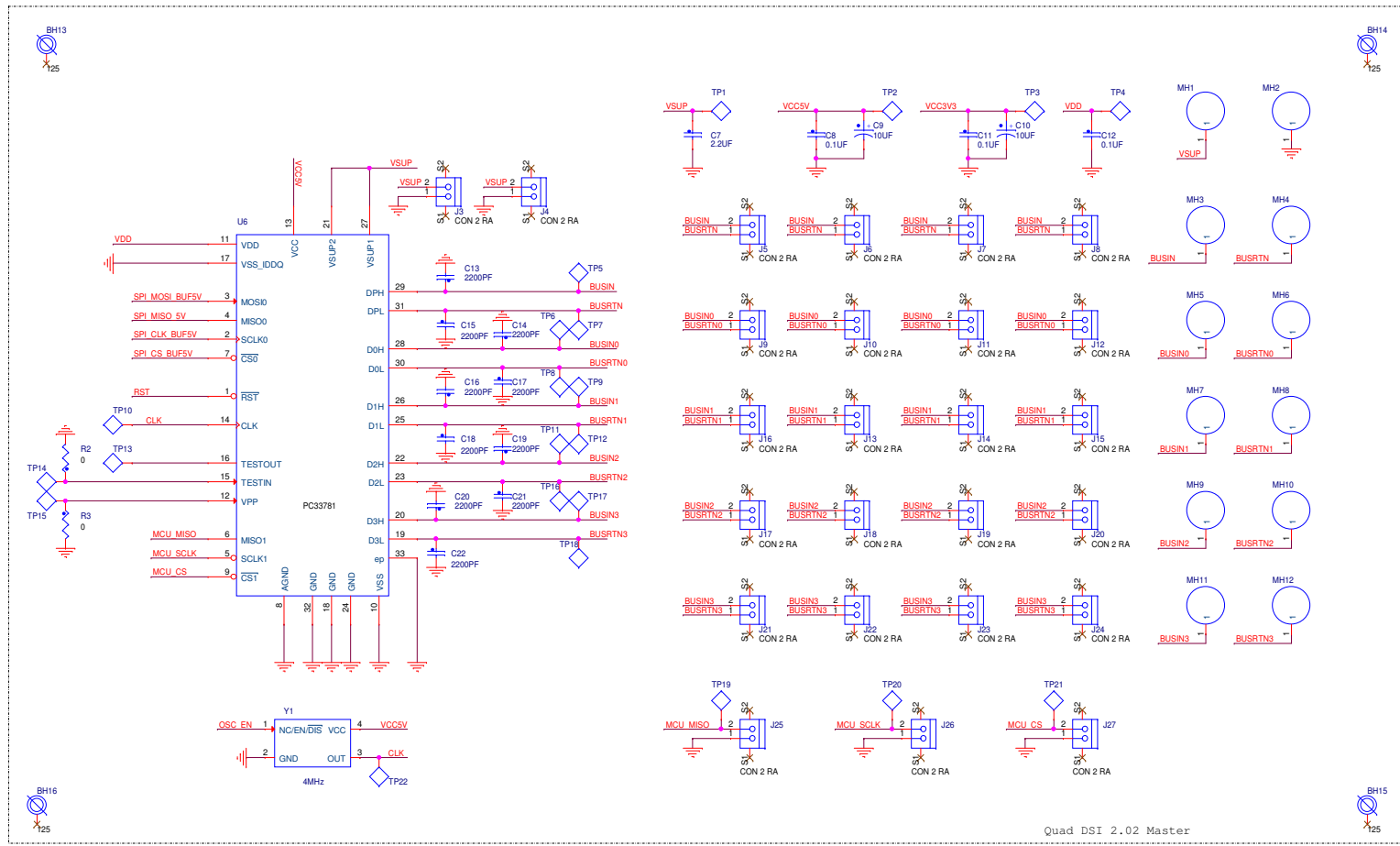


				
ICAP Classification:		FCP:	FLUQ: X	PUB:
Drawing Title:				
TWRPI-DSI2.5				
Page Title:				
NOTES				
Size	Document Number		Rev	
C	SCH-26895 PDF: SPF-26895		A	
Date:	Monday, June 13, 2011	Sheet	2 of 5	

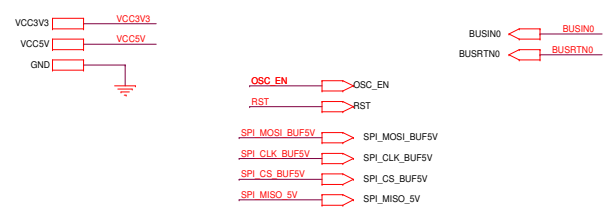




4 mounting holes BH13-BH16 are for spaces



Quad DSI 2.02 Master



ICAP Classification: FCP: FLUQ: X PUBI:	
Drawing Title: TWRPI-DSI2.5	
Page Title: Quad DSI 2.02 Master MC33781	
Size C	Document Number SCH-26895 PDF: SPF-26895
Date: Monday, June 13, 2011	Sheet 4 of 5

