



# Table of Contents

1	TITLE PAGE
2	NOTES
3	SENSOR - MMA7660FC

## Revisions

Rev	Description	Date	Approved
A	First release	19-Jan-10	P. Lajsner



### Microcontroller Solutions Group

6501 William Cannon Drive West  
Austin, TX 78735-8598

This document contains information proprietary to Freescale Semiconductor and shall not be used for engineering design, procurement or manufacture in whole or in part without the express written permission of Freescale Semiconductor.

ICAP Classification: FCP: FIUO: X PUBL:

Designer:  
Petr Gargulak

Drawing Title:

**TWRPI-MMA7660**

Drawn by:  
Petr Gargulak

Page Title:

**TITLE PAGE**

Approved:  
Clark Jarvis

Size  
A

Document Number

SCH-26464 PDF: SPF-26464

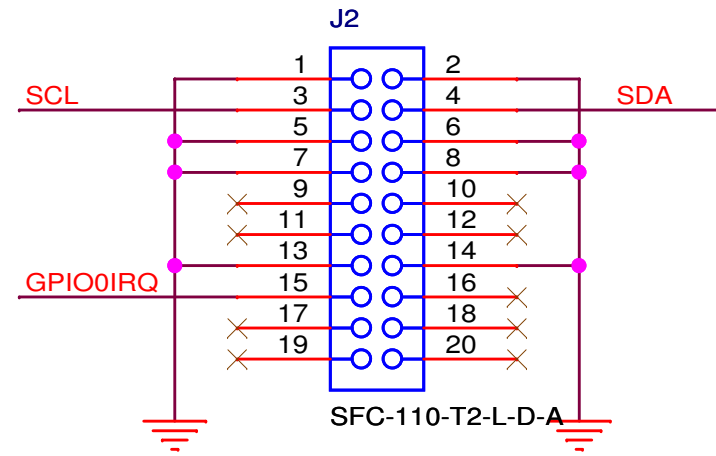
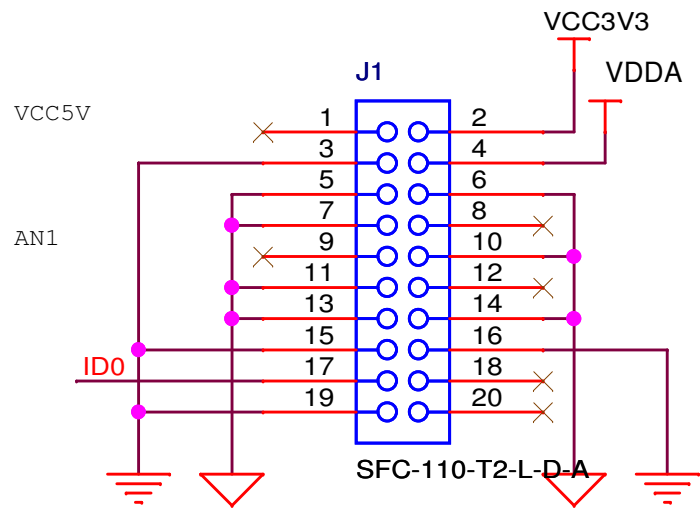
Rev  
A

Date: Tuesday, January 19, 2010

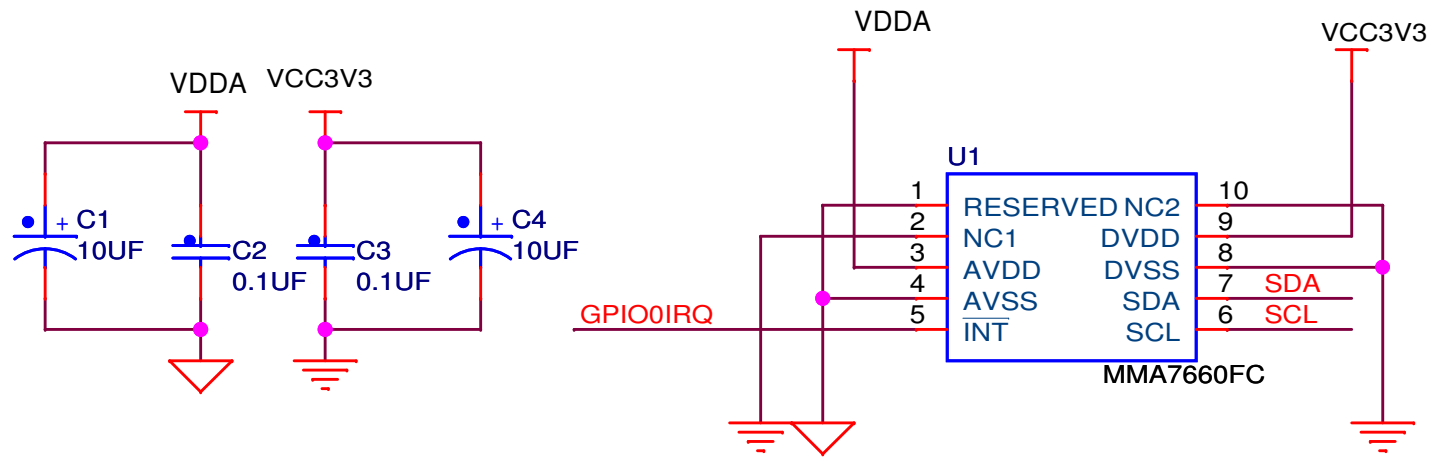
Sheet 1 of 3

NOTES:

ICAP Classification:      FCP: ____      FIUO: X      PUBI: ____		
Drawing Title: <h2 style="text-align: center;">TWRPI-MMA7660</h2>		
Page Title: <h2 style="text-align: center;">NOTES</h2>		
Size A	Document Number SCH-26464 PDF: SPF-26464	Rev A
Date:      Thursday, January 14, 2010		Sheet    2      of    3

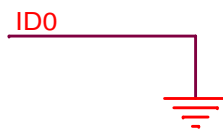


Module 'AB'



Sensor MMA7660FC

Id1 signal is not connected to create combination : ID0 = 0%, ID1 = 100%



Board ID



ICAP Classification: FCP:___ FIUO: X PUBI:___		
Drawing Title: <b>TWRPI-MMA7660</b>		
Page Title: <b>SENSOR - MMA7660FC</b>		
Size A	Document Number SCH-26464 PDF: SPF-26464	Rev A
Date: Monday, January 18, 2010	Sheet 3 of 3	