


5	
4	
3	
2	
1	
Table of Contents	
PAGE	
3	MCF51MM256-MCU
4	OSBDM & PWR CHANGE
5	PERIPHERALS
6	ELEVATOR CONNS


Revisions			
Rev	Description	Date	Approved
D	Release	22-July-10	Michael Norman Garcia Donnie Han Lin Hao Wang

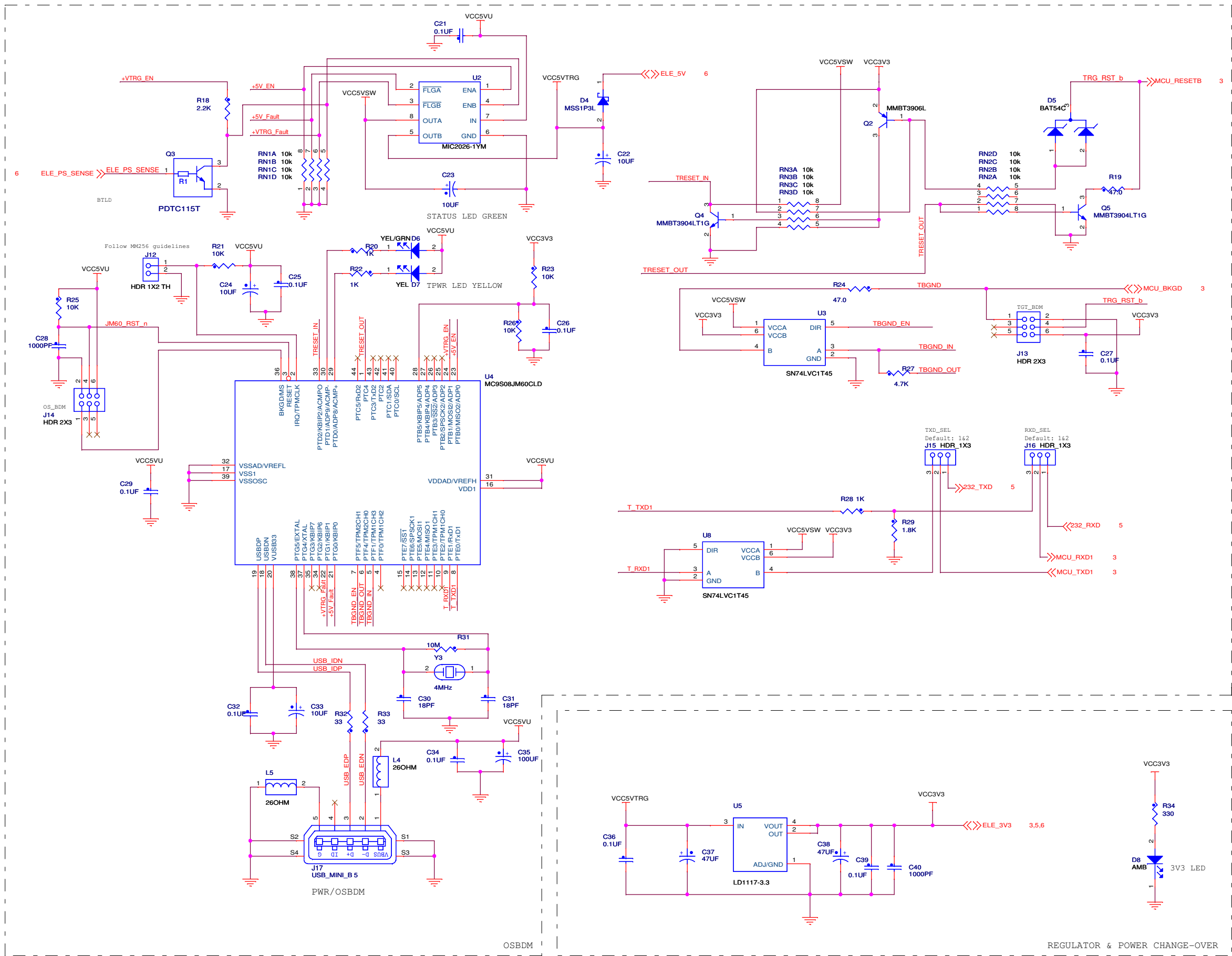
		Microcontroller Solutions Group	
		6501 William Cannon Drive West Austin, TX 78735-8598	
This document contains information proprietary to Freescale Semiconductor and shall not be used for engineering design, procurement or manufacture in whole or in part without the express written permission of Freescale Semiconductor.			
		ICAP Classification: FCP: FIUC: X PUBI:	
Designer: Jun Qiao	Drawing Title: TWR-MCF51MM		
Drawn by: Jun Qiao	Page Title: TITLE PAGE		
Approved: MSG	Size C	Document Number SCH-26047 PDF: SPF-26047	Rev D
Date: Thursday, July 22, 2010		Sheet 1 of 6	



NOTES:

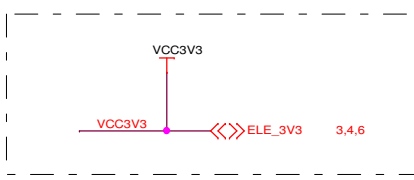
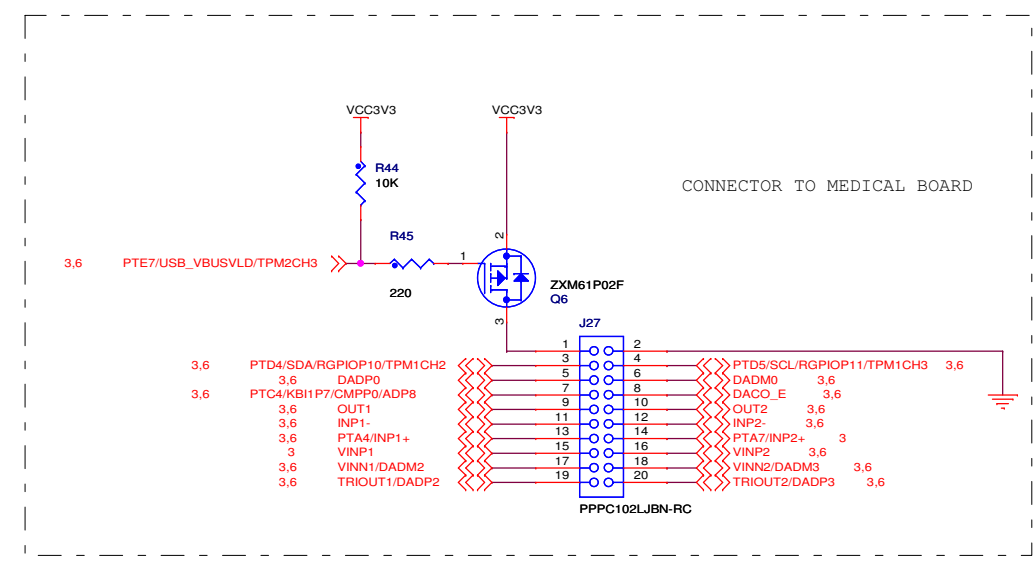
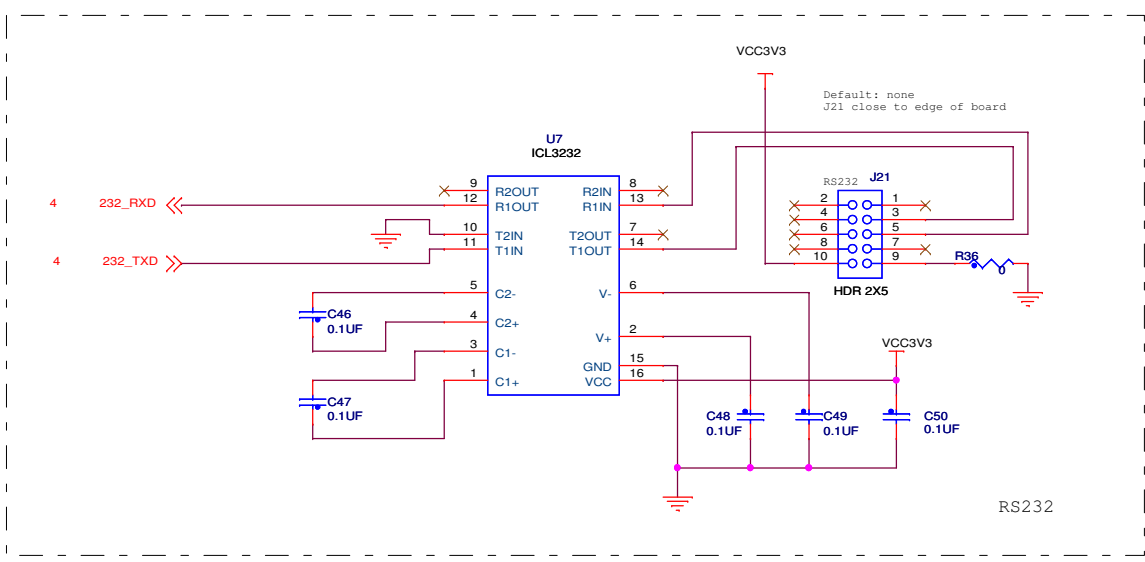
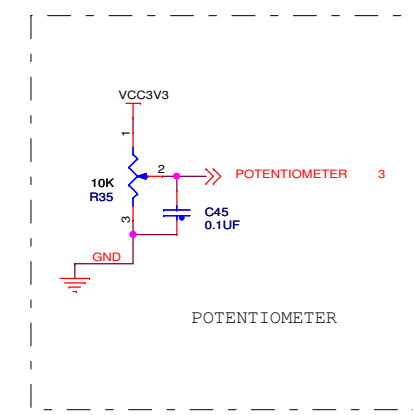
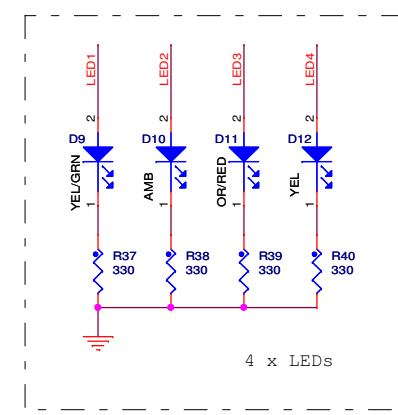
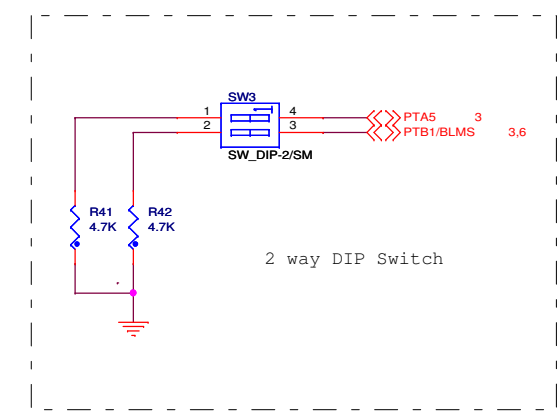
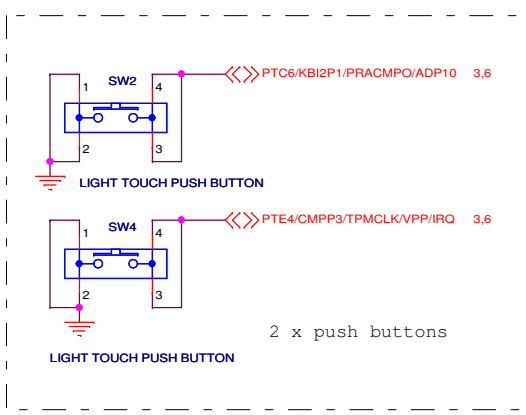
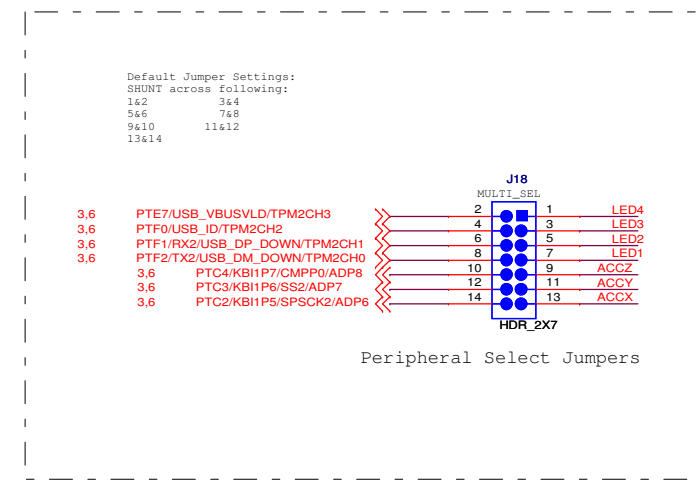
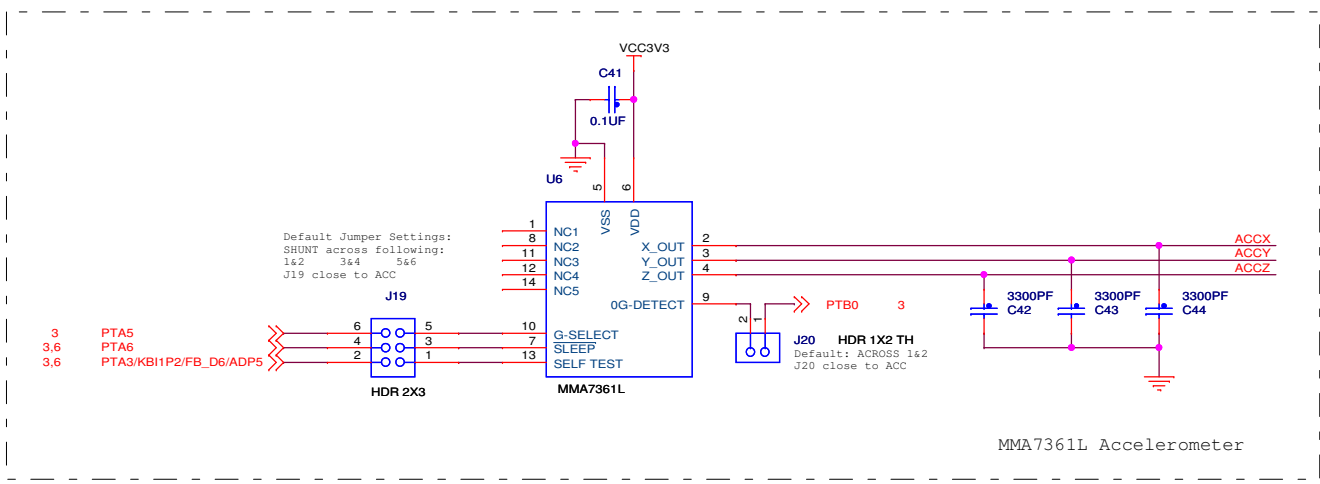
REV D: Released at July 2010.

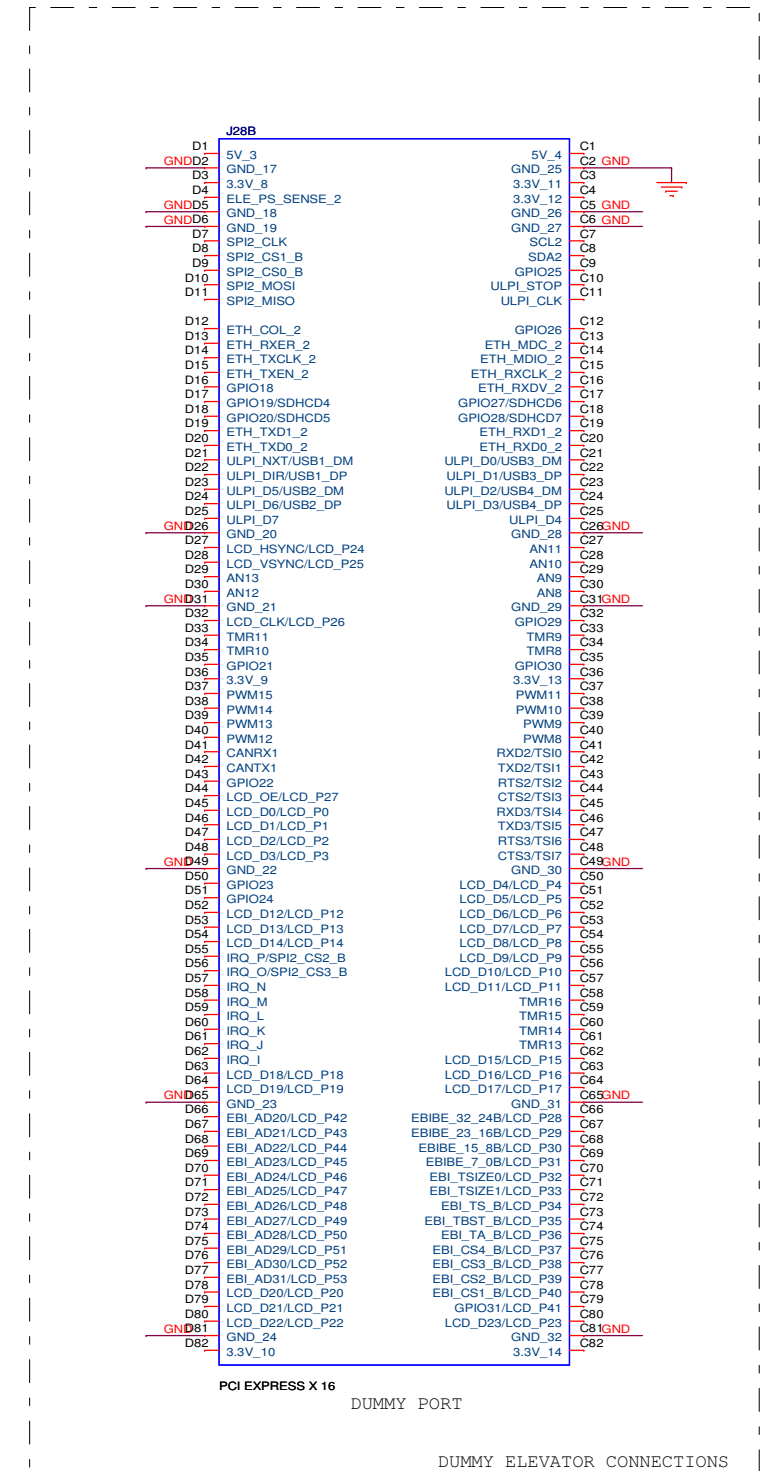
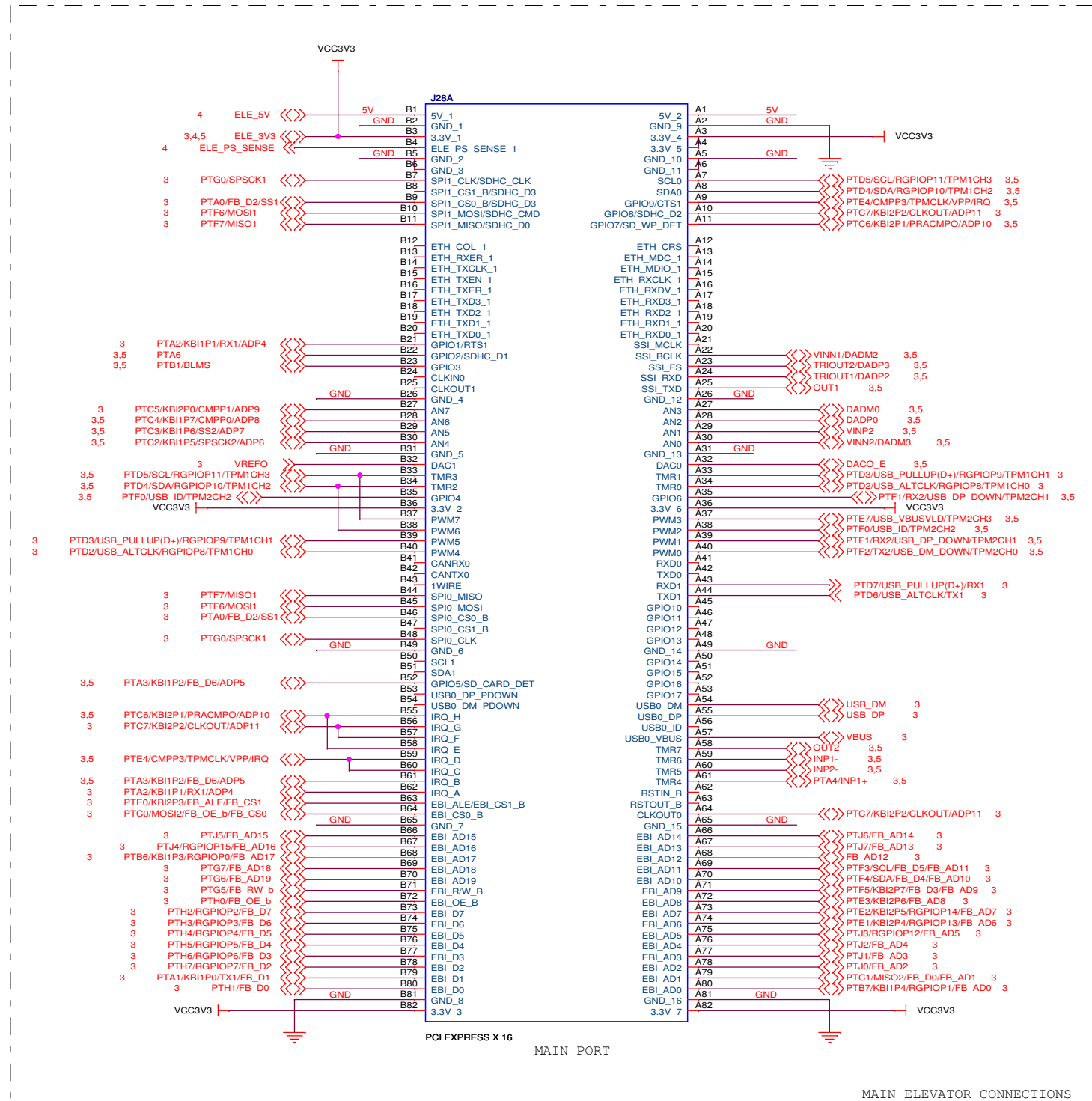
		
ICAP Classification: FCP: FIUC: X PUBI:		
Drawing Title: TWR-MCF51MM		
Page Title: NOTES		
Size C	Document Number SCH-26047 PDF: SPF-26047	Rev D
Date: Thursday, July 22, 2010	Sheet 2	of 6



REGULATOR & POWER CHANGE-OVER

ICAP Classification: FCP: FIUO: X PUBL:		
Drawing Title: TWR-MCF51MM		
Page Title: OSBDM & POWER CHANGEOVER		
Size C	Document Number SCH-26047 PDF: SPF-26047	Rev D
Date: Thursday, July 22, 2010	Sheet 4 of 6	





ICAP Classification: FCP: FIUC: X PUBL:

Drawing Title: **TWR-MCF51MM**

Page Title: **ELEVATOR CONNS**

Size C	Document Number SCH-26047 PDF: SPF-26047	Rev D
--------	--	-------

Date: Thursday, July 22, 2010 Sheet 6 of 6