
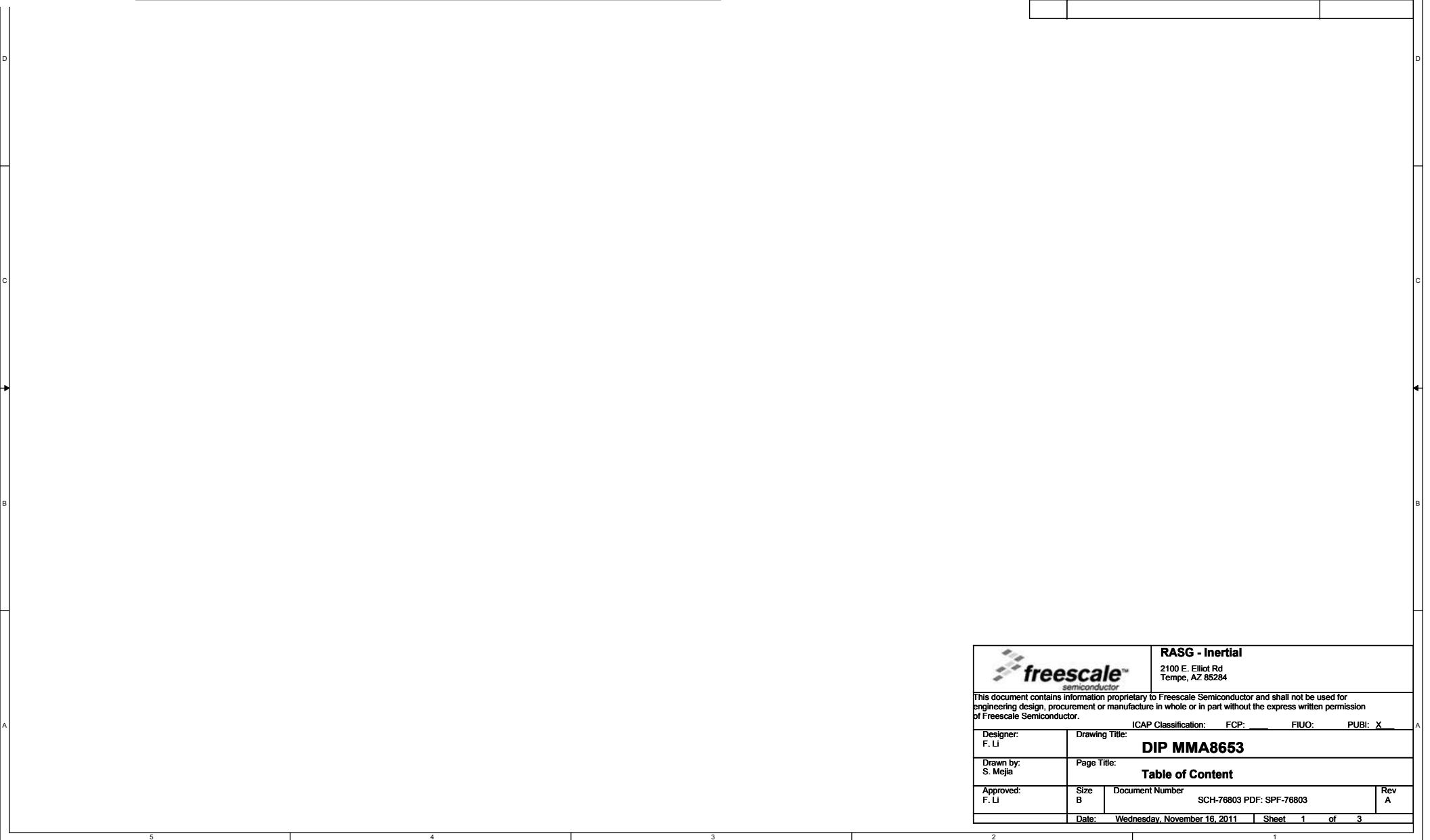


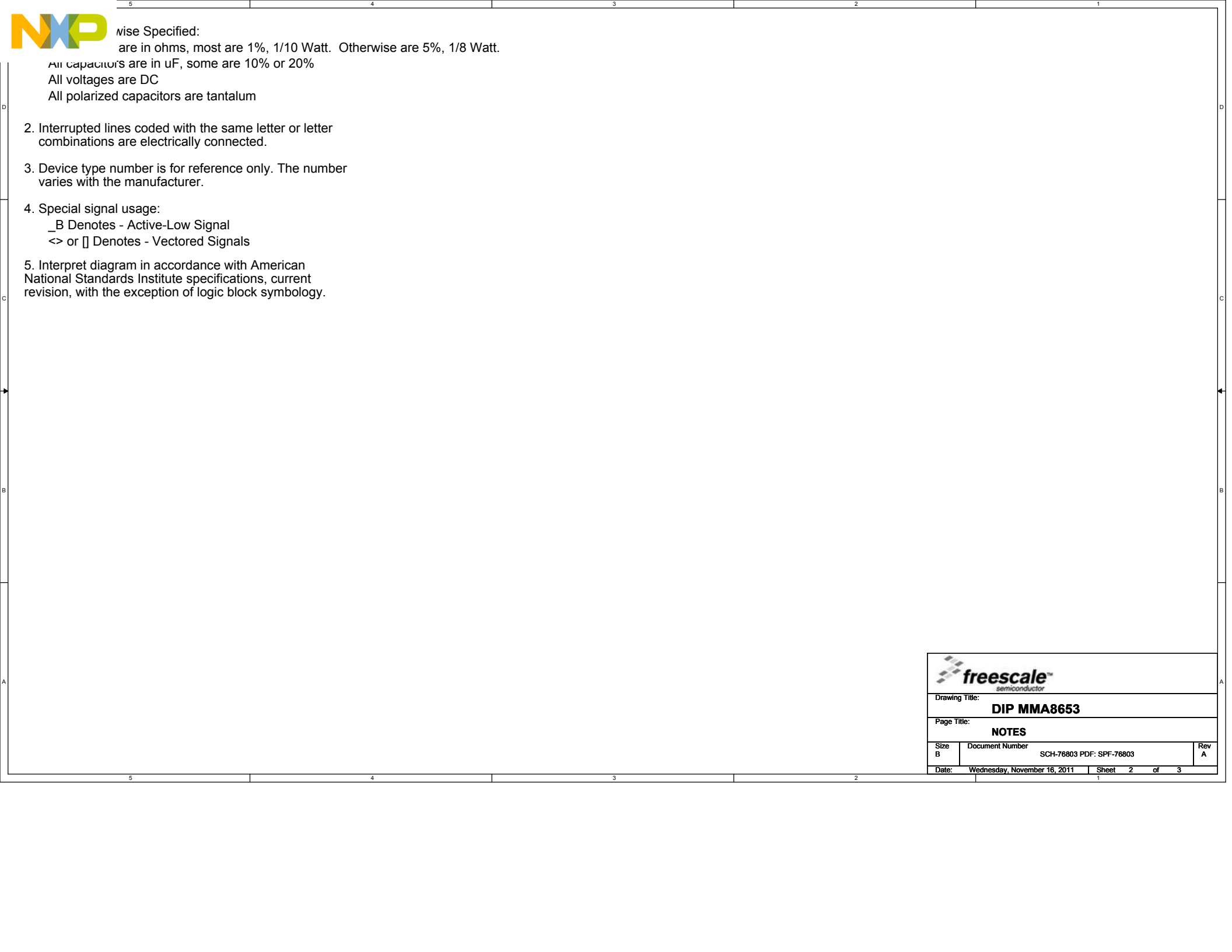


5	4	3	2	1
Table of Contents				

Revisions		
Rev	Description	Date
A	Original Release	11-08-11

		RASG - Inertial 2100 E. Elliot Rd Tempe, AZ 85284	
This document contains information proprietary to Freescale Semiconductor and shall not be used for engineering design, procurement or manufacture in whole or in part without the express written permission of Freescale Semiconductor.			
Designer: F. Li		Drawing Title: DIP MMA8653	
Drawn by: S. Mejja		Page Title: Table of Content	
Approved: F. Li		Size B	Document Number SCH-76803 PDF: SPF-76803
Date:		Wednesday, November 16, 2011	Sheet 1 of 3
Rev A		Rev A	



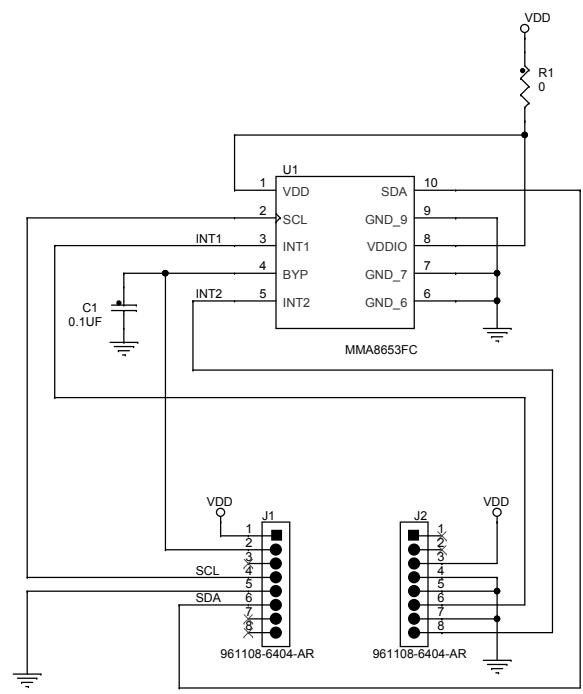


otherwise Specified:
 are in ohms, most are 1%, 1/10 Watt. Otherwise are 5%, 1/8 Watt.

All capacitors are in uF, some are 10% or 20%
 All voltages are DC
 All polarized capacitors are tantalum

2. Interrupted lines coded with the same letter or letter combinations are electrically connected.
3. Device type number is for reference only. The number varies with the manufacturer.
4. Special signal usage:
 _B Denotes - Active-Low Signal
 <> or [] Denotes - Vectored Signals
5. Interpret diagram in accordance with American National Standards Institute specifications, current revision, with the exception of logic block symbology.

Drawing Title: DIP MMA8653		
Page Title: NOTES		
Size B	Document Number SCH-76803 PDF: SPF-76803	Rev A
Date: Wednesday, November 16, 2011	Sheet 2 of 3	



VDD = 2.5V

Drawing Title:		
DIP MMA8653		
Page Title:		
MMA8653		
Size	Document Number	Rev
B	SCH-76803 PDF: SPF-76803	A
Date:	Wednesday, November 16, 2011	Sheet 3 of 3