
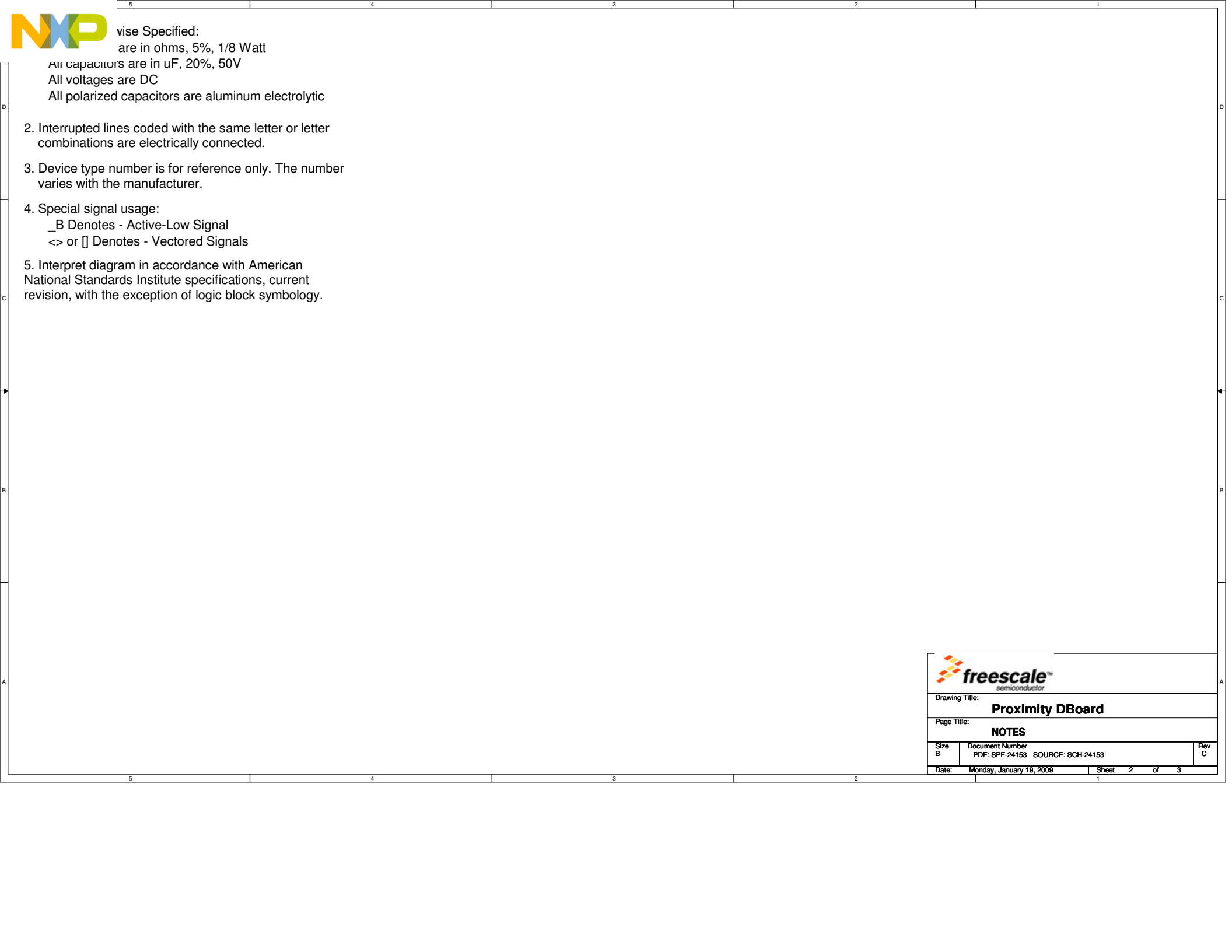


5	Table of Contents
4	
3	
2	
1	
	Proximity sensors

Revisions			
Rev	Description	Date	Approved
A	Original Release	11/2007	DM
B	CHANGED C1, R9 AND R10 TO ROHS COMPLIANT	09/2008	DM
C	CHANGED Q1 AGILE PN FROM 480-75054 TO 480-75156 BECAUSE IT HAD BEEN DECLARED AN EOL PART	01/2009	DM


		RTAC Americas Periferico Sur 7999 Guadalajara, Jal. Mex. +52 (33) 3283-0668	
This document contains information proprietary to Freescale Semiconductor and shall not be used for engineering design, procurement or manufacture in whole or in part without the express written permission of Freescale Semiconductor.			
Designer: DM	Drawing Title: Proximity DBoard		
Drawn by: DM	Page Title: Page Title		
Approved: <Approver>	Size B	Document Number SCH-24153 PDF: SPF-24153	Rev C
Date: Monday, January 19, 2009		Sheet 1 of 3	

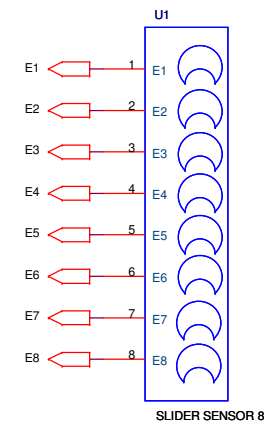
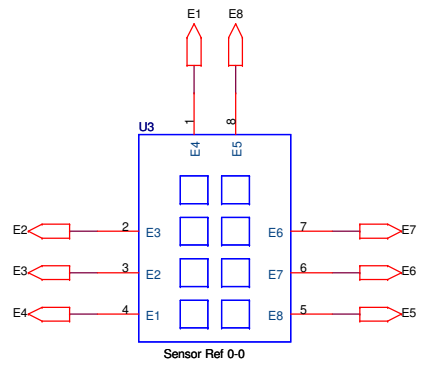
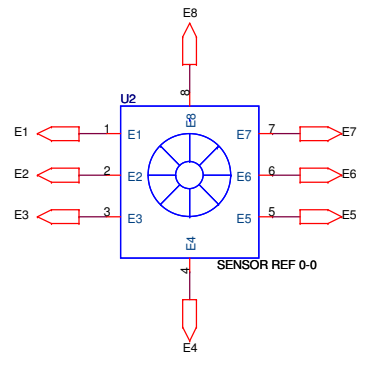
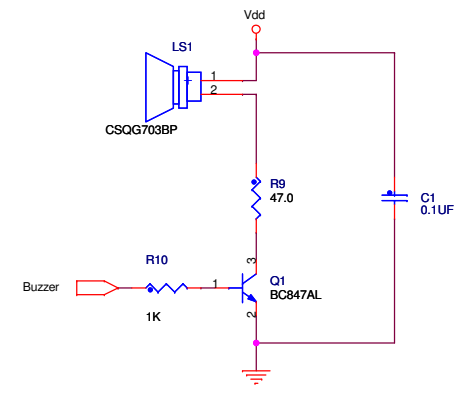
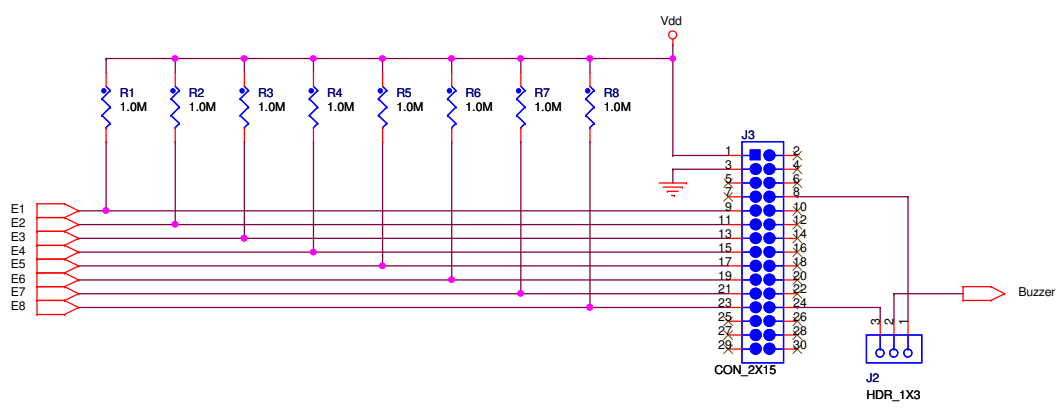


wise Specified:
are in ohms, 5%, 1/8 Watt

All capacitors are in uF, 20%, 50V
All voltages are DC
All polarized capacitors are aluminum electrolytic

2. Interrupted lines coded with the same letter or letter combinations are electrically connected.
3. Device type number is for reference only. The number varies with the manufacturer.
4. Special signal usage:
 - _B Denotes - Active-Low Signal
 - <> or [] Denotes - Vectored Signals
5. Interpret diagram in accordance with American National Standards Institute specifications, current revision, with the exception of logic block symbology.

		
Drawing Title:		
Proximity DBoard		
Page Title:		
NOTES		
Size B	Document Number PDF: SPF-24153 SOURCE: SCH-24153	Rev C
Date:	Monday, January 19, 2009	Sheet 2 of 3



Drawing Title: Proximity DBoard		
Page Title: Capacitive sensors		
Size B	Document Number PDF: SPF-24153 SOURCE: SCH-24153	Rev C
Date: Monday, January 19, 2009	Sheet 3 of 3	1