
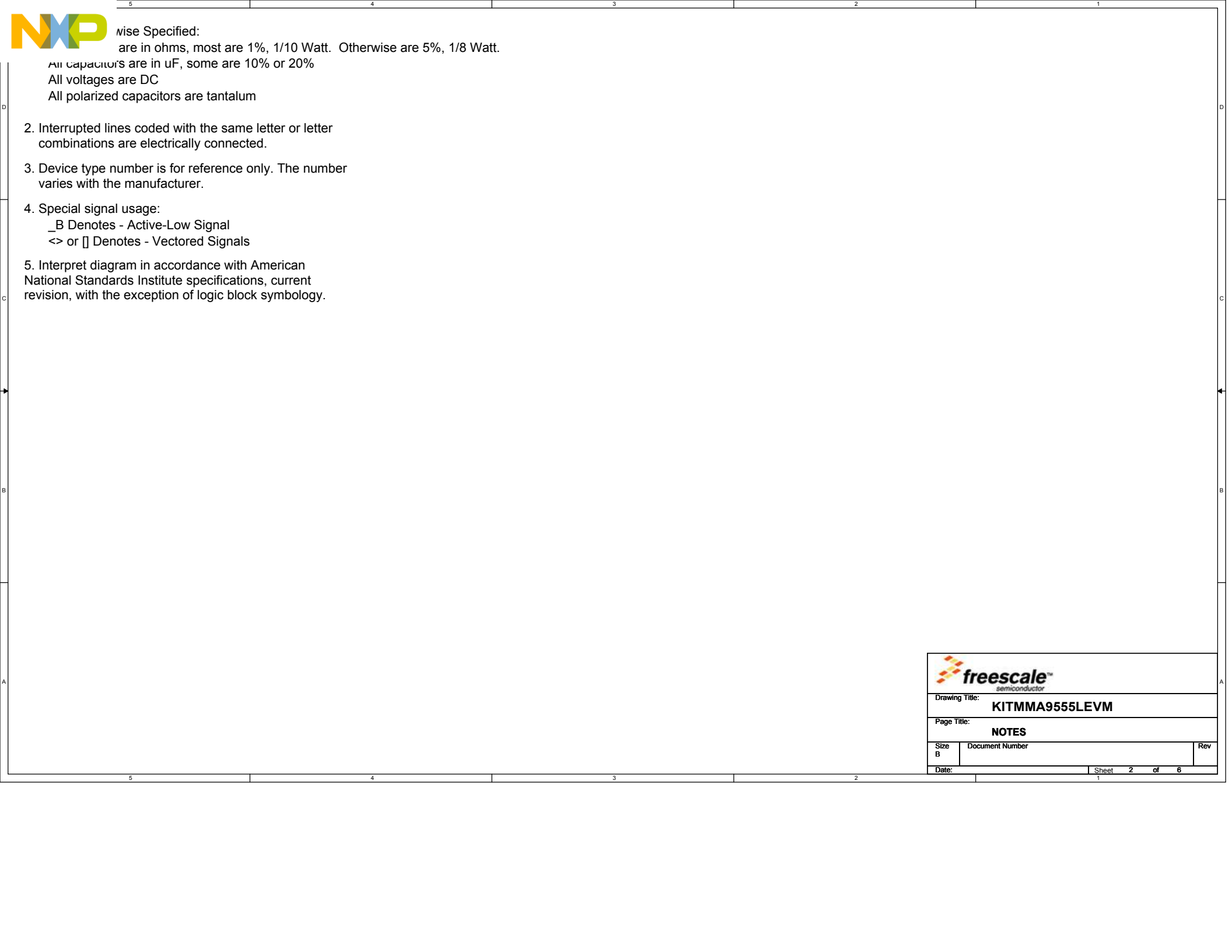


4	Power and Battery Charger Circuit
5	MCU Circuit
6	MMA9555L and Level Shifter Circuit

Revisions		
Rev	Description	Date

		RASG - Inertial 2100 E. Elliot Rd Tempe, AZ 85284	
This document contains information proprietary to Freescale Semiconductor and shall not be used for engineering design, procurement or manufacture in whole or in part without the express written permission of Freescale Semiconductor.			
Designer: A.Udofia		Drawing Title: KITMMA9555LEVM	
Drawn by: W.Agyepong		Page Title: Notes	
Approved:		Size B	Document Number
Date:		Sheet 1 of 5	

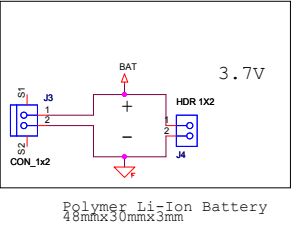
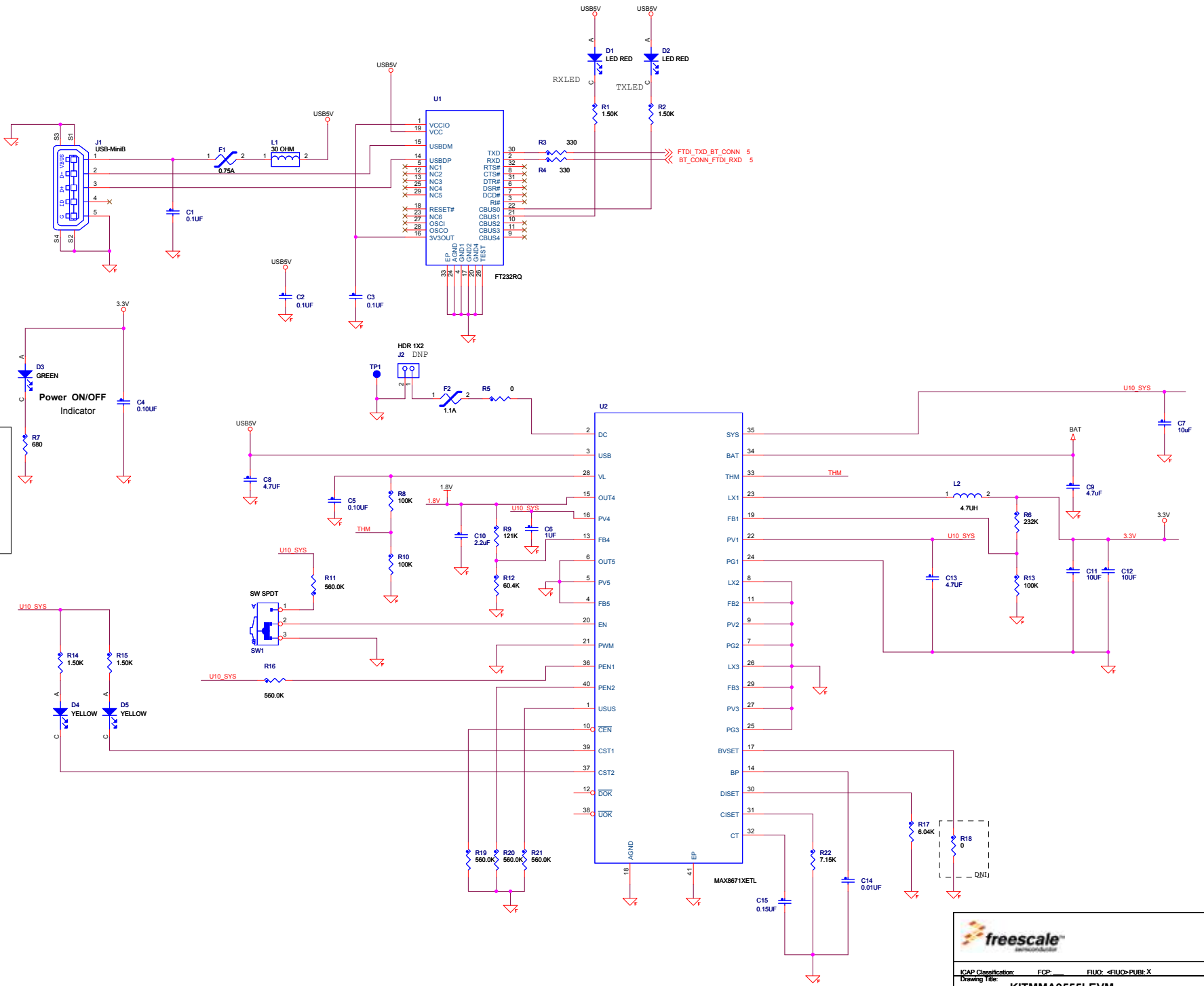


otherwise Specified:
 are in ohms, most are 1%, 1/10 Watt. Otherwise are 5%, 1/8 Watt.

All capacitors are in uF, some are 10% or 20%
 All voltages are DC
 All polarized capacitors are tantalum

2. Interrupted lines coded with the same letter or letter combinations are electrically connected.
3. Device type number is for reference only. The number varies with the manufacturer.
4. Special signal usage:
 _B Denotes - Active-Low Signal
 <> or [] Denotes - Vectored Signals
5. Interpret diagram in accordance with American National Standards Institute specifications, current revision, with the exception of logic block symbology.

Drawing Title: KITMMA9555LEVM		
Page Title: NOTES		
Size B	Document Number	Rev
Date:	Sheet 2 of 6	

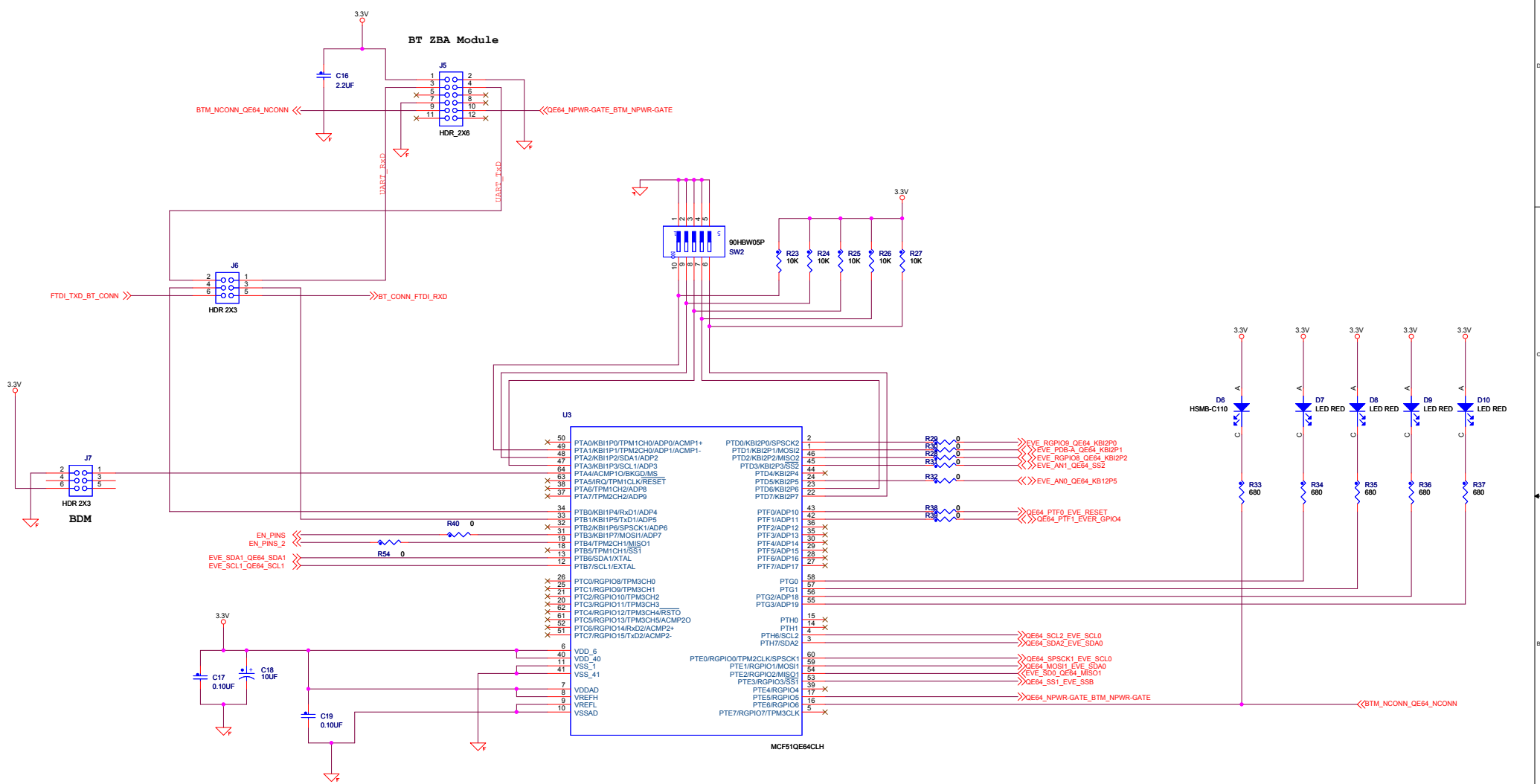


freescale
www.freescale.com

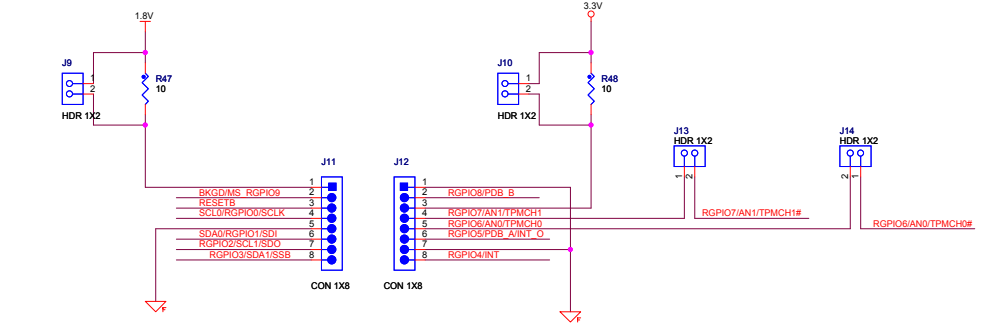
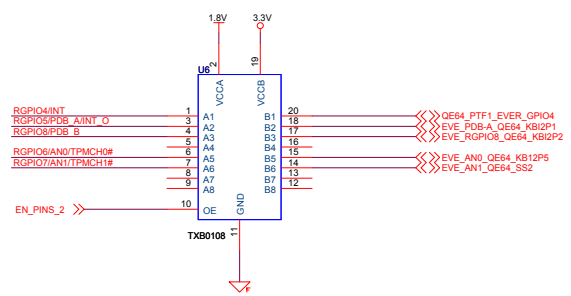
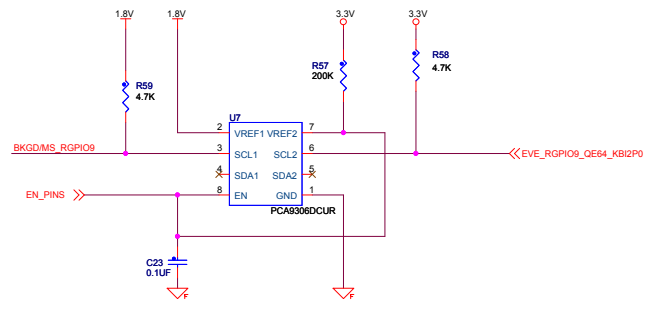
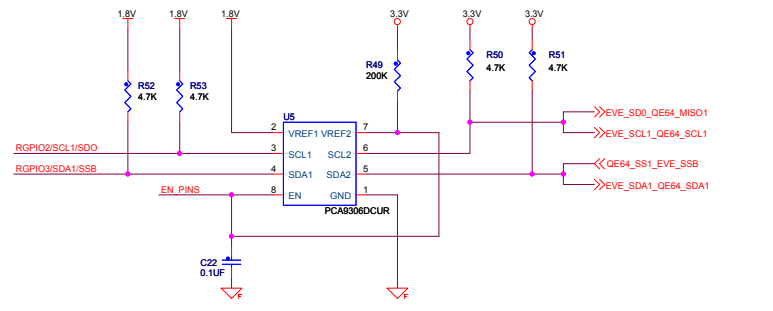
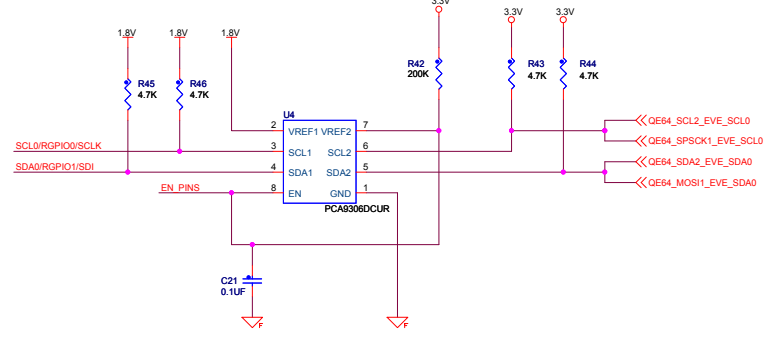
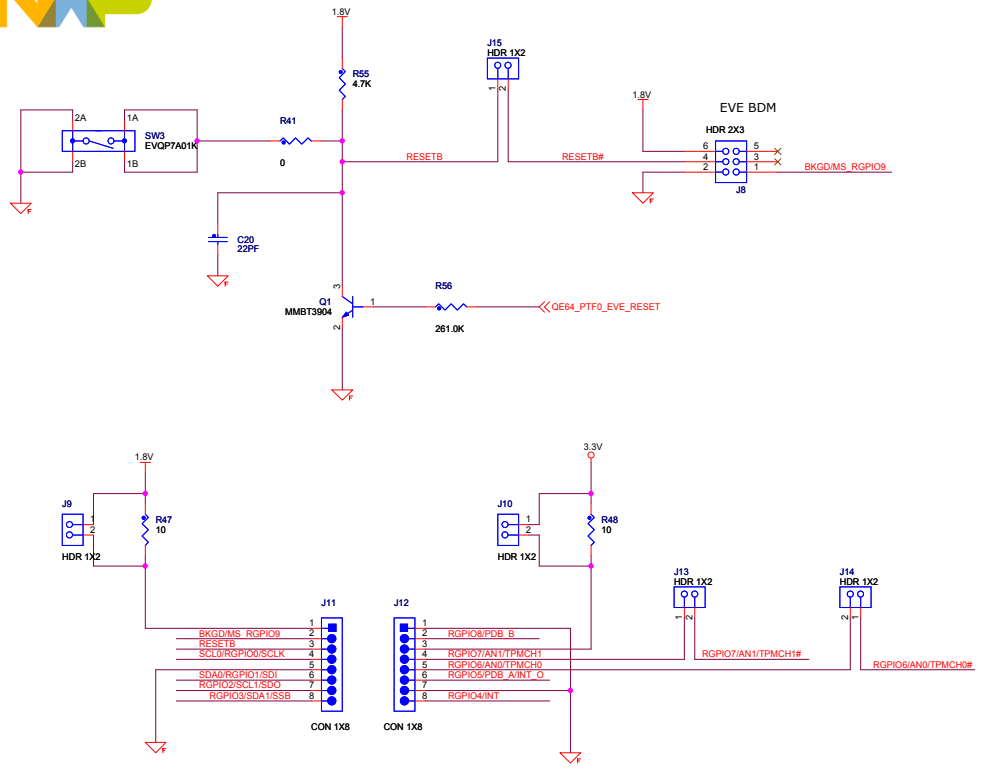
ICAP Classification: FCP. FIUC: <FIUC>PUBI: X
Drawing Title: **KITMMA9555LEVM**
Page Title: **Power And Battery Charger Circuit**

Size	Document Number	Rev
C		

Date: _____ Sheet 4 of 6



ICAP Classification:	FCP: FIUC: <FIUC>PUBI: X
Drawing Title:	KITMMA9555LEVM
Page Title:	MCU Circuit
Size	Document Number
C	
Date:	Sheet 5 of 6



ICAP Classification: FCP: FIUO: <FIUO>PUBI: X	
Drawing Title: KITMMA9555LEVM	
Page Title: MMA9555L & LEVEL SHIFTERS CIRCUIT	
Size: C	Document Number: _____
Date: _____	Sheet 6 of 6