


Table of Contents

1	TITLE
2	APPENDIX JUMPER/DNP/SWITCH
3	PMIC Reference
4	K82F Interface

Revision History

Rev	Description	Date	Approved
X1	Initial Draft	3/19/2021	Anand
X1	A070 Release	3/31/2021	Anand
A	A085 Release	4/12/2021	Anand
A1	1-Updated Q15 from BUK9M42-60EX(480-80263) to BUK9M9R5-40H(480-80266) 2-Updated Q16 from BUK9M9R5-40HX(480-80266) to BUK9M3R3-40H(480-80262)	05/06/2021	Anand

X-KTFS5600SKTEVM

		Automotive Product Group 6501 Williams Cannon Drive West Austin, TX 78725-6598	
<small>This document contains information proprietary to NXP and shall not be used for engineering design, procurement or manufacture in whole or in part without the express written permission of NXP Semiconductors.</small>			
© NXP SEMICONDUCTORS		Classification: <u>Company Internal/Proprietary</u>	
Designer: Anand B	Drawing Title: X-KTFS5600SKTEVM		
Drawn by: Vijayakshmi	Page Title: Title & Notes		
Approved: Anand B	Size: C	Document Number: SCH-50532 PDF: SPF-50532	Rev: A
Date: <u>Friday, May 07, 2021</u>		Sheet <u>1</u> of <u>4</u>	

JUMPER TABLE

REF DES	JUMPER	JUMPER(DEFAULT)	PAGE NAME
J94	DEFAULT(1-2)		3. PMIC Reference
J5,J13,J12		1-2	3. PMIC Reference
J3,J93,J4,J8		2-3	3. PMIC Reference
J14		7-8	3. PMIC Reference
J30,J29		1-2	4. K82F Interface
J32		CLOSED	4. K82F Interface

DNP TABLE

REF DES	ASSY_OPT	PAGE NAME
C49,C34,R13,C50,L7,R63,R12, R59,L8,L3,C51,CHF2,L2,L10, R74,C53,L5,R75	DNP	3. PMIC Reference
R67,R64	DNP	4. K82F Interface



Classification: Company Internal/Proprietary

Drawing Title:

X-KTFS5600SKTEVM

Page Title:

APPENDIX JUMPER/DNP/SWITCHSize
C

Document Number

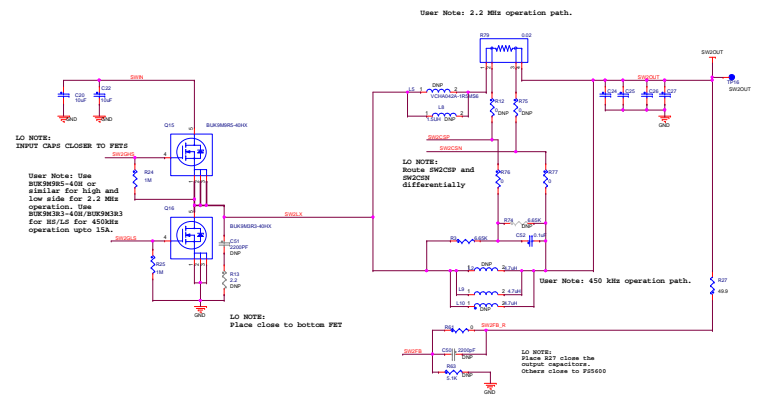
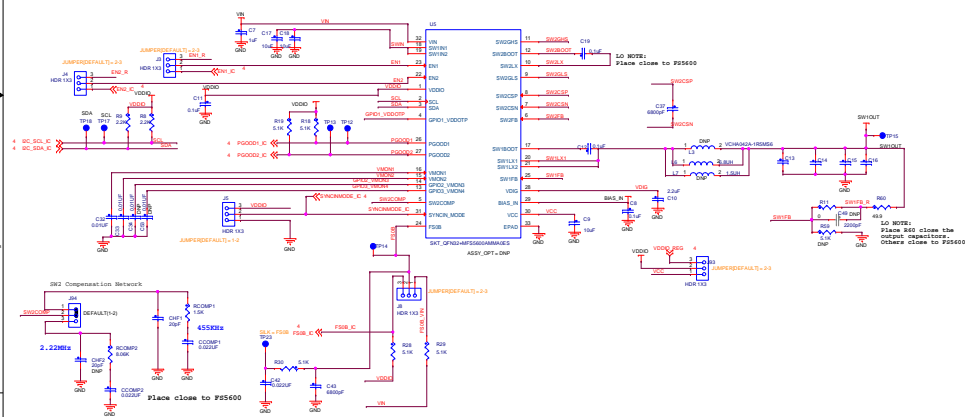
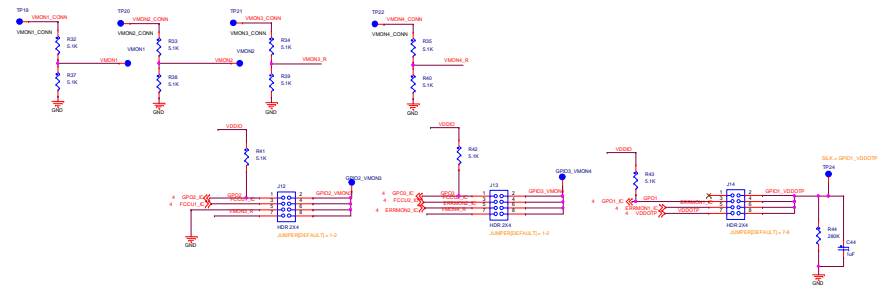
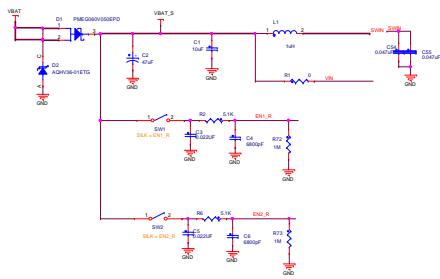
SCH-50632 PDF: SPF-50632

Rev
A

Date: Friday, May 07, 2021

Sheet 2 of 4

Zero ohm, jumpers and solder blobs are only for testing purposes



User Note: 2.2 Mhz operation path.

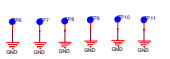
LO NOTE:
INPUT CAPS CLOSER TO PETS

User Note: Use SIKS805-40K or similar for high and low sides for 2.0 Mhz operation. Use SIKS805-40K/SIKS83K for BE/LS for 450Khz operation upto 15A.

LO NOTE:
Route SIK2CP and SIK2CS differentially

User Note: 450 kHz operation path.

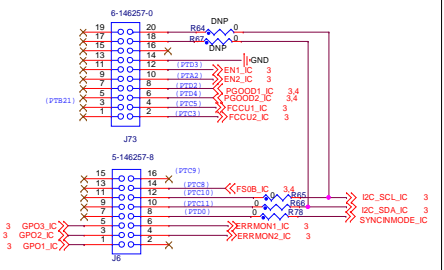
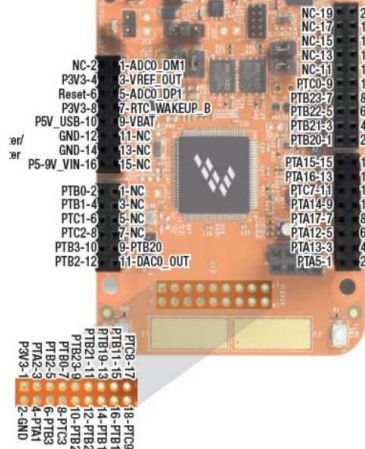
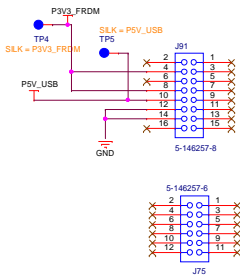
LO NOTE:
Place R21 close the output capacitors. Others close to P5600



NXP	
Customer Contact Center	
X-KTFS600SKTEVM	
PMIC Reference	
Doc ID: 666666	SCH466666 PDF: SEP-2009
Rev: 1	Issue: 1

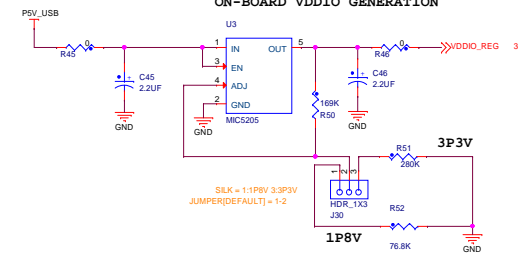
K82F FREEDOM INTERFACE

SDAv2

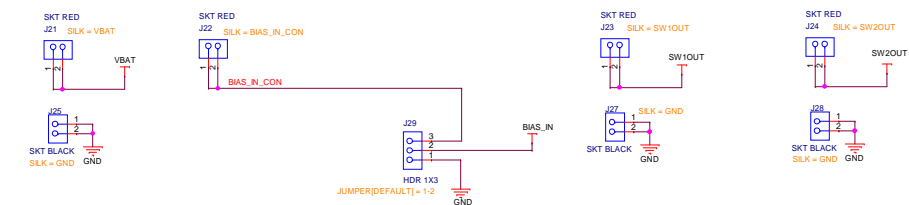


STATUS INDICATORS

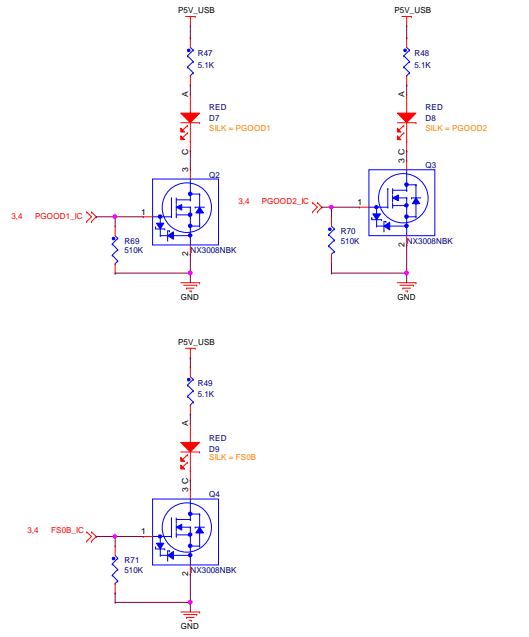
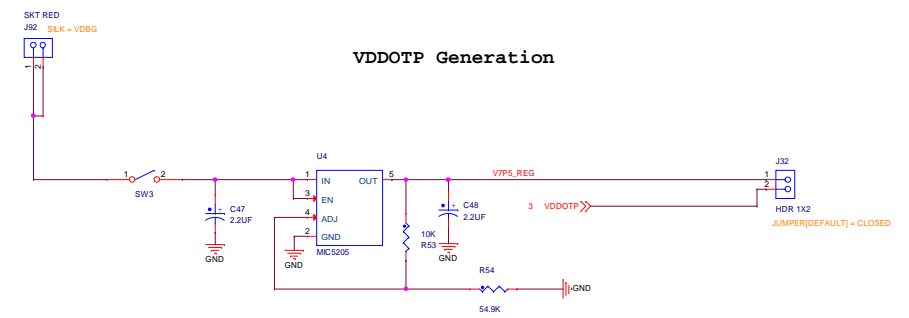
ON-BOARD VDDIO GENERATION



Input Output Connectors



VDDOTP Generation





Classification: Company Internal/Proprietary		
Drawing Title: X-KTFS5600SKTEVM		
Page Title: K82F Interface		
Size C	Document Number SCH-50632 PDF: SPF-50632	Rev A
Date: Friday, May 07, 2021	Sheet 4	of 4