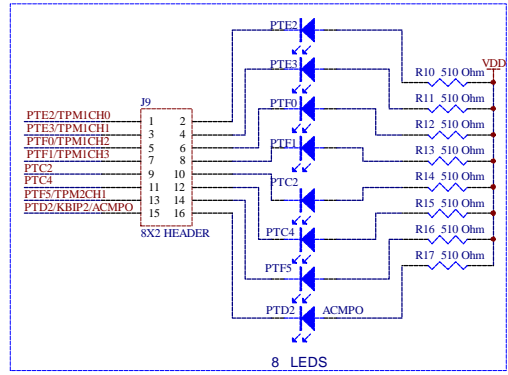
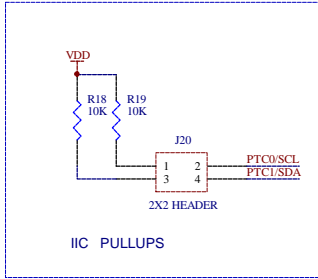
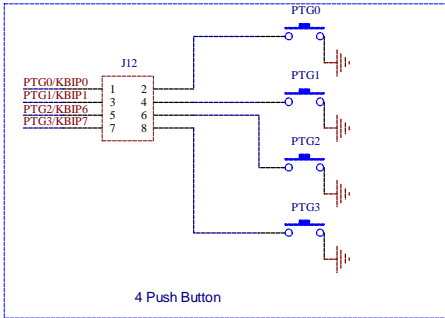
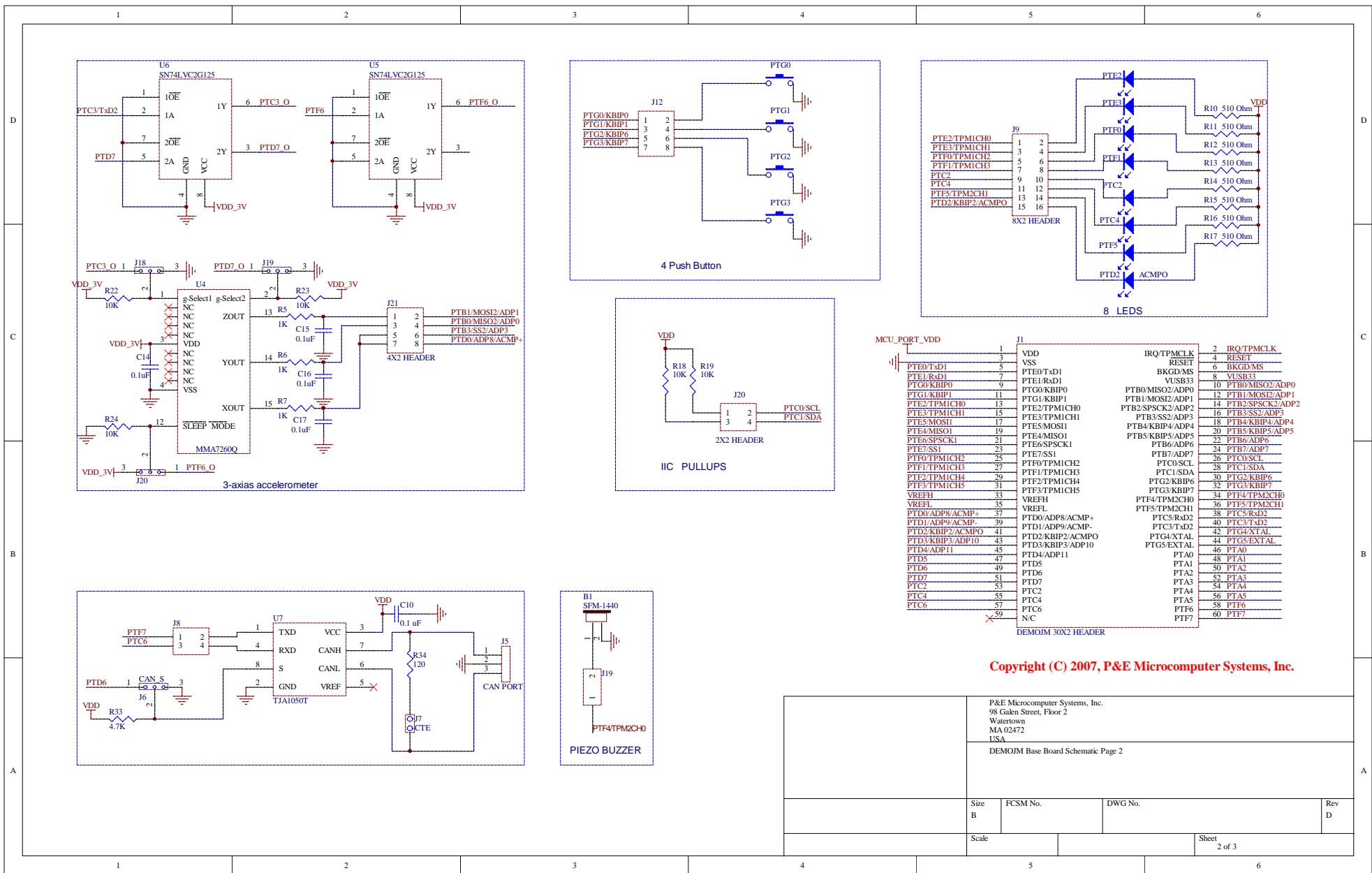


Copyright (C) 2007, P&E Microcomputer Systems, Inc.

P&E Microcomputer Systems, Inc. 98 Galen Street, Floor 2 Watertown MA 02472 USA			
DEMOJM Base Board Schematic Page 1			
Size	FCSM No.	DWG No.	Rev
B			D
Scale	Sheet		1 of 3



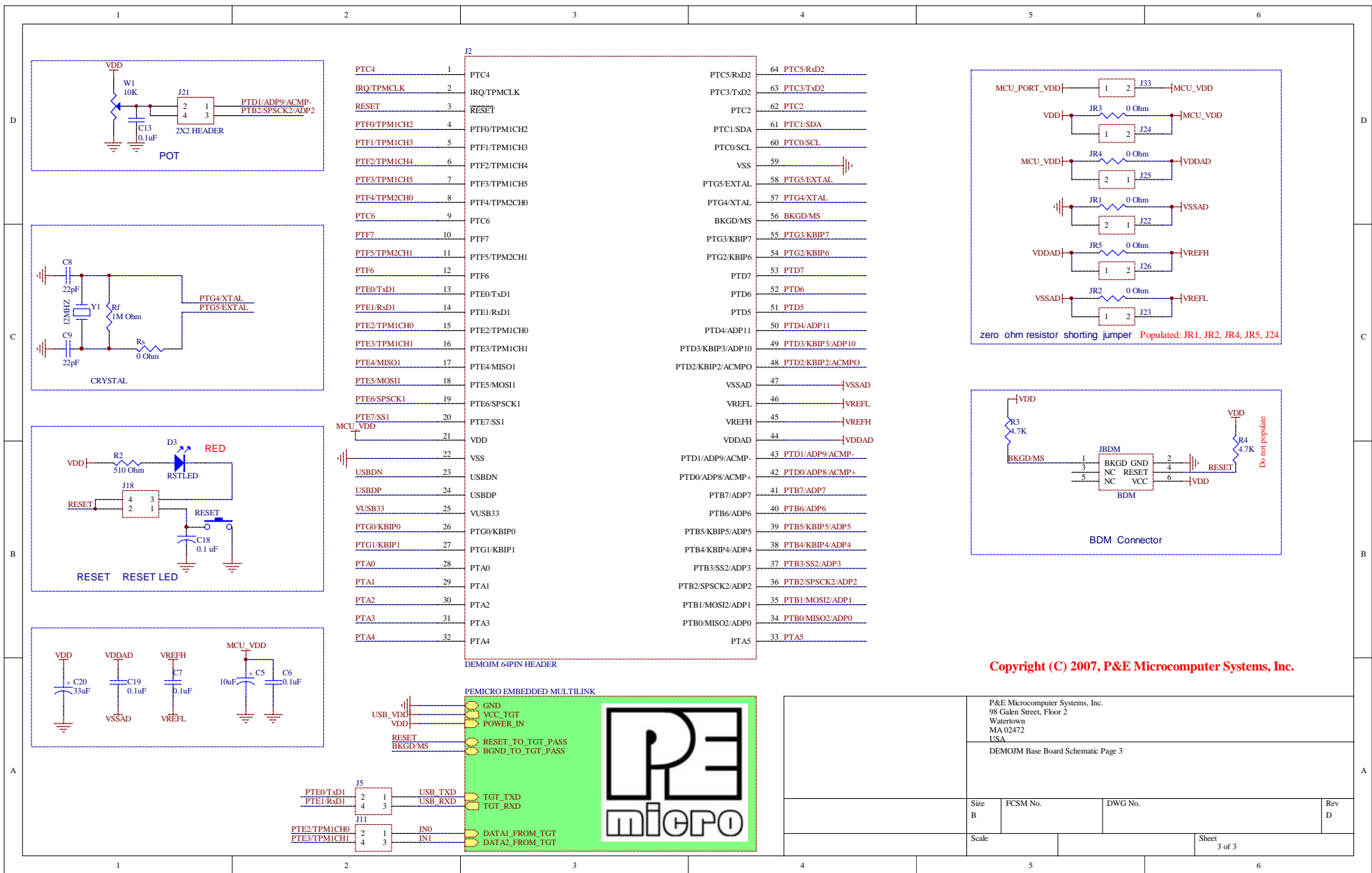
MCU_PORT_VDD	1	VDD	2	IRQ/TPMCLK
	2	VSS	3	RESET
	3	PTE0/RxD1	4	BKGD/MS
	4	PTE1/RxD1	5	VUSB33
	5	PTG0/KBIP0	6	BKGD/MS
	6	PTG1/KBIP1	7	VUSB33
	7	PTE2/TPM1CH0	8	PTB0/MISO2/ADP0
	8	PTE3/TPM1CH1	9	PTB1/MOSI2/ADP1
	9	PTE4/MISO1	10	PTB2/SPSCK2/ADP2
	10	PTE5/MOSI1	11	PTB3/SS2/ADP3
	11	PTE6/SPSCK1	12	PTB4/KBIP4/ADP4
	12	PTE7/SS1	13	PTB5/KBIP5/ADP5
	13	PTF0/TPM1CH2	14	PTB6/ADP6
	14	PTF1/TPM1CH3	15	PTB7/ADP7
	15	PTF2/TPM1CH4	16	PTC0/SCL
	16	PTF3/TPM1CH5	17	PTC1/SDA
	17	VREFH	18	PTG2/KBIP6
	18	VREFL	19	PTG3/KBIP7
	19	PTD0/ADP8/ACMP+	20	PTF4/TPM2CH0
	20	PTD1/ADP9/ACMP-	21	PTF5/TPM2CH1
	21	PTD2/KBIP2/ACMP0	22	PTC5/RxD2
	22	PTD3/KBIP3/ADP10	23	PTC3/TxD2
	23	PTD4/ADP11	24	PTG4/XTAL
	24	PTD5	25	PTG5/EXTAL
	25	PTD6	26	PTA0
	26	PTD7	27	PTA1
	27	PTC2	28	PTA2
	28	PTC4	29	PTA3
	29	PTC6	30	PTA4
	30	N/C	31	PTA5
	31		32	PTA6
	32		33	PTA7
	33		34	PTA8
	34		35	PTA9
	35		36	PTA10
	36		37	PTA11
	37		38	PTA12
	38		39	PTA13
	39		40	PTA14
	40		41	PTA15
	41		42	PTA16
	42		43	PTA17
	43		44	PTA18
	44		45	PTA19
	45		46	PTA20
	46		47	PTA21
	47		48	PTA22
	48		49	PTA23
	49		50	PTA24
	50		51	PTA25
	51		52	PTA26
	52		53	PTA27
	53		54	PTA28
	54		55	PTA29
	55		56	PTA30
	56		57	PTA31
	57		58	PTA32
	58		59	PTA33
	59		60	PTA34
	60		61	PTA35
	61		62	PTA36
	62		63	PTA37
	63		64	PTA38
	64		65	PTA39
	65		66	PTA40
	66		67	PTA41
	67		68	PTA42
	68		69	PTA43
	69		70	PTA44
	70		71	PTA45
	71		72	PTA46
	72		73	PTA47
	73		74	PTA48
	74		75	PTA49
	75		76	PTA50
	76		77	PTA51
	77		78	PTA52
	78		79	PTA53
	79		80	PTA54
	80		81	PTA55
	81		82	PTA56
	82		83	PTA57
	83		84	PTA58
	84		85	PTA59
	85		86	PTA60
	86		87	PTA61
	87		88	PTA62
	88		89	PTA63
	89		90	PTA64
	90		91	PTA65
	91		92	PTA66
	92		93	PTA67
	93		94	PTA68
	94		95	PTA69
	95		96	PTA70
	96		97	PTA71
	97		98	PTA72
	98		99	PTA73
	99		100	PTA74

Copyright (C) 2007, P&E Microcomputer Systems, Inc.

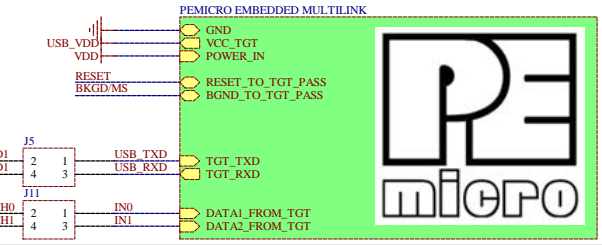
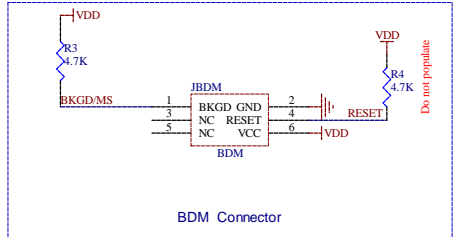
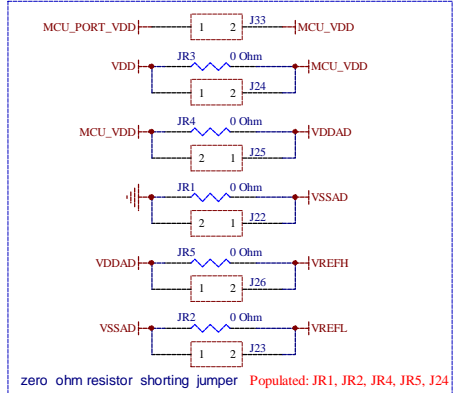
P&E Microcomputer Systems, Inc.
 98 Galen Street, Floor 2
 Watertown
 MA 02472
 USA

DEMOJIM Base Board Schematic Page 2

Size	B	FCSM No.	DWG No.	Rev	D
Scale				Sheet	2 of 3



PTC4	1	PTC4	64	PTC5/RxD2
IRQ/TPMCLK	2	IRQ/TPMCLK	63	PTC3/TxD2
RESET	3	RESET	62	PTC2
PTF0/TPMICH2	4	PTF0/TPMICH2	61	PTC1/SDA
PTF1/TPMICH3	5	PTF1/TPMICH3	60	PTC0/SCL
PTF2/TPMICH4	6	PTF2/TPMICH4	59	VSS
PTF3/TPMICH5	7	PTF3/TPMICH5	58	PTG5/EXTAL
PTF4/TPM2CH0	8	PTF4/TPM2CH0	57	PTG4/XTAL
PTC6	9	PTC6	56	BKGD/MS
PTF7	10	PTF7	55	PTG3/KBIP7
PTF5/TPM2CH1	11	PTF5/TPM2CH1	54	PTG2/KBIP6
PTF6	12	PTF6	53	PTD7
PTF0/TxD1	13	PTF0/TxD1	52	PTD6
PTF1/RxD1	14	PTF1/RxD1	51	PTD5
PTF2/TPMICH0	15	PTF2/TPMICH0	50	PTD4/ADP11
PTF3/TPMICH1	16	PTF3/TPMICH1	49	PTD3/KBIP3/ADP10
PTF4/MISO1	17	PTF4/MISO1	48	PTD2/KBIP2/ACMPO
PTF5/MOSI1	18	PTF5/MOSI1	47	VSSAD
PTF6/SPSCK1	19	PTF6/SPSCK1	46	VREFL
PTF7/SS1	20	PTF7/SS1	45	VREFH
MCU_VDD	21	VDD	44	VDDAD
VSS	22	VSS	43	PTD1/ADP9/ACMP-
USBDN	23	USBDN	42	PTD0/ADP8/ACMP+
USBDP	24	USBDP	41	PTB7/ADP7
VUSB33	25	VUSB33	40	PTB6/ADP6
PTG0/KBIP0	26	PTG0/KBIP0	39	PTB5/KBIP5/ADP5
PTG1/KBIP1	27	PTG1/KBIP1	38	PTB4/KBIP4/ADP4
PTA0	28	PTA0	37	PTB3/SS2/ADP3
PTA1	29	PTA1	36	PTB2/SPSCK2/ADP2
PTA2	30	PTA2	35	PTB1/MOSI2/ADP1
PTA3	31	PTA3	34	PTB0/MISO2/ADP0
PTA4	32	PTA4	33	PTA5

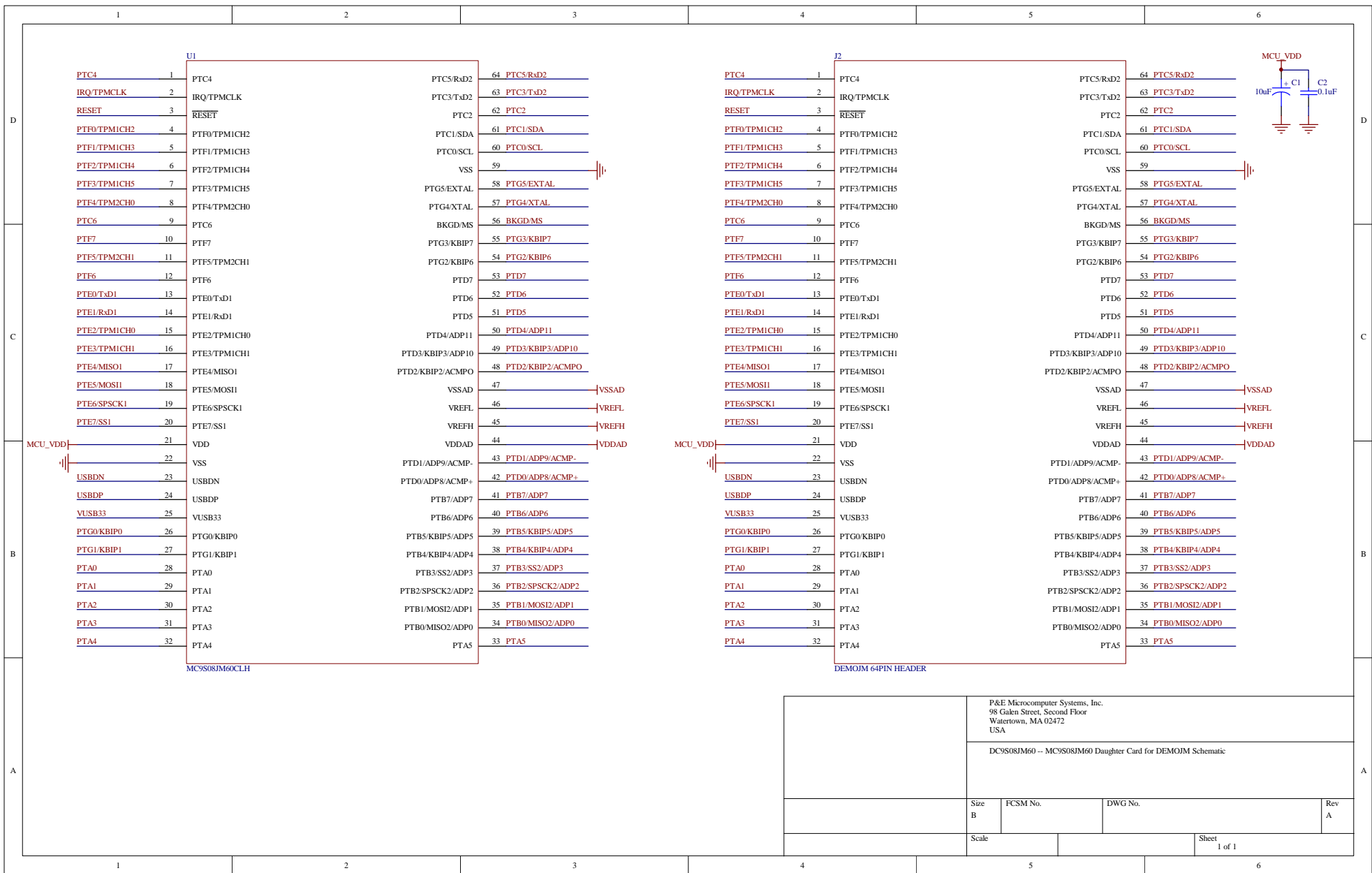


Copyright (C) 2007, P&E Microcomputer Systems, Inc.

P&E Microcomputer Systems, Inc.
98 Galen Street, Floor 2
Watertown
MA 02472
USA

DEMOJM Base Board Schematic Page 3

Size B	FCSM No.	DWG No.	Rev D
Scale			Sheet 3 of 3



P&E Microcomputer Systems, Inc.
 98 Galen Street, Second Floor
 Watertown, MA 02472
 USA

DC9S08JM60 -- MC9S08JM60 Daughter Card for DEMOJM Schematic

Size B	FCSM No.	DWG No.	Rev A
Scale	Sheet 1 of 1		



P&E Microcomputer Systems, Inc. 98 Galen Street, Second Floor Watertown, MA 02472 USA			
DC51JM128 -- MCF51JM128 Daughter Card for DEMOJM Schematic			
Size B	FCSM No.	DWG No.	Rev A
Scale		Sheet 1 of 1	