


Table of Contents	
1	Title
2	Notes
3	Sensors

Revisions		
Rev	Description	Date
X1	Original Release	08-22-16
A	Release	09-05-16
A1	Update the text of U3 to MMA8652FC	11-02-16

# BRKT-STBC-AGM04

		<b>Analog Sensor Product Group</b> 6501 William Cannon Drive West Austin, TX 78735-8596	
This document contains information proprietary to NXP and shall not be used for engineering design, procurement or manufacture in whole or in part without the express written permission of NXP Semiconductors.			
ICAP Classification: CP: _____ IUC: X PUBL: _____			
Designer: Krithi S	Drawing Title: <b>BRKT-STBC-AGM04</b>		
Drawn by: Krithi S	Page Title: <b>CONTENT</b>		
Approved: Team	Size B	Document Number SCH-29414 PDF: SPF-29414	Rev A1
Date: Wednesday, November 02, 2016		Sheet 1 of 3	

1. Unless Otherwise Specified:

All resistors are in ohms, most are 1%, 1/10 Watt. Otherwise are 5%, 1/8 Watt.

All capacitors are in uF, some are 10% or 20%

All voltages are DC

All polarized capacitors are tantalum

2. Interrupted lines coded with the same letter or letter combinations are electrically connected.

3. Device type number is for reference only. The number varies with the manufacturer.

4. Special signal usage:

\_B Denotes - Active-Low Signal

<> or [] Denotes - Vectored Signals

5. Interpret diagram in accordance with American National Standards Institute specifications, current revision, with the exception of logic block symbology.



ICAP Classification: CP: \_\_\_ IUO: X PUBI: \_\_\_

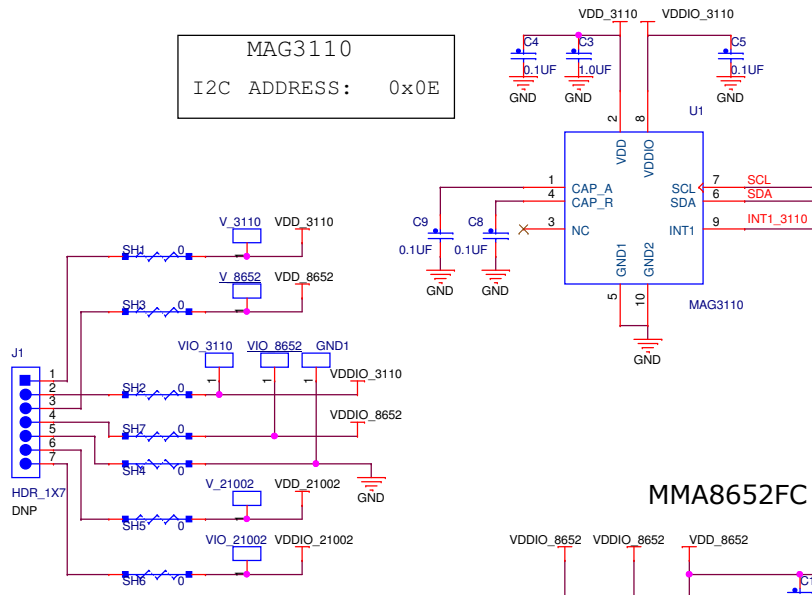
Drawing Title: **BRKT-STBC-AGM04**

Page Title: **NOTES**

Size B	Document Number SCH-29414 PDF: SPF-29414	Rev A1
--------	--	--------

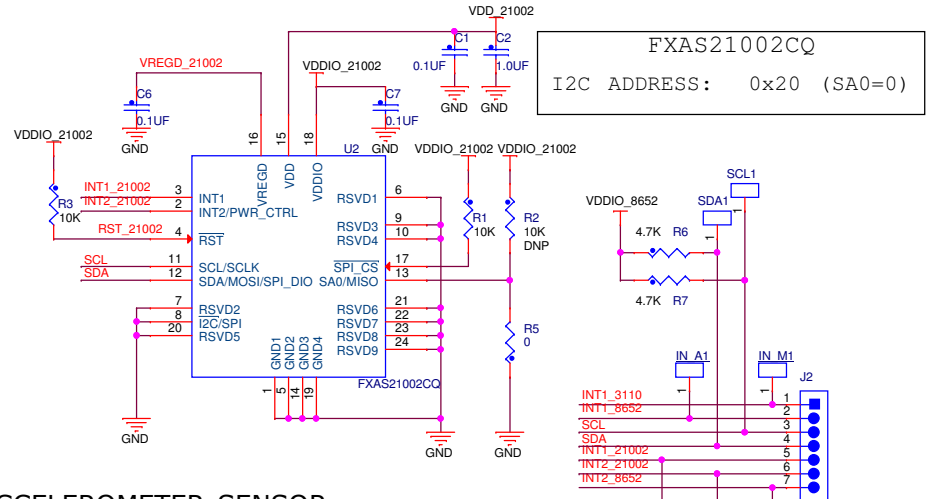
Date: Wednesday, November 02, 2016 Sheet 2 of 3

### MAG3110 MAGNETIC SENSOR



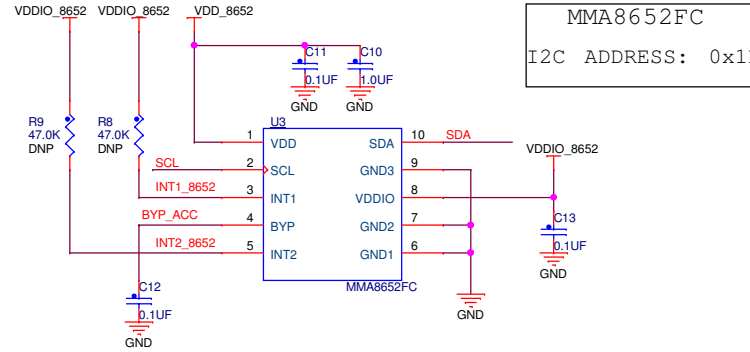
MAG3110  
I2C ADDRESS: 0x0E

### FXAS21002CQ GYROSCOPE SENSOR



FXAS21002CQ  
I2C ADDRESS: 0x20 (SA0=0)

### MMA8652FC ACCELEROMETER SENSOR



MMA8652FC  
I2C ADDRESS: 0x1D



ICAP Classification: CP: _____ IUO: X PUBLI: _____	
Drawing Title: <b>BRKT-STBC-AGM04</b>	
Page Title: <b>SENSORS</b>	
Size B	Document Number SCH-29414 PDF: SPF-29414
Date: Wednesday, November 02, 2016	Sheet 3 of 3