
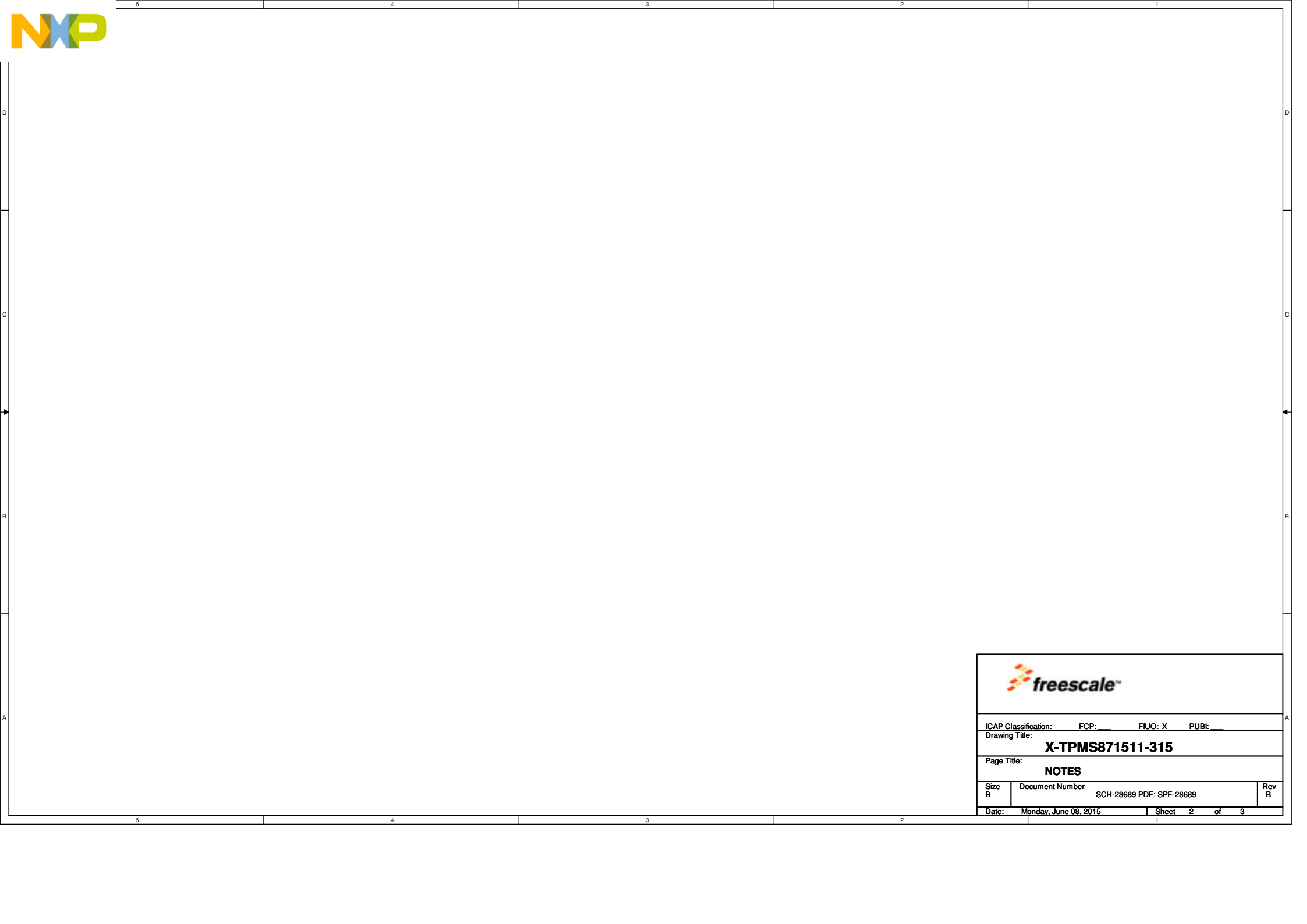


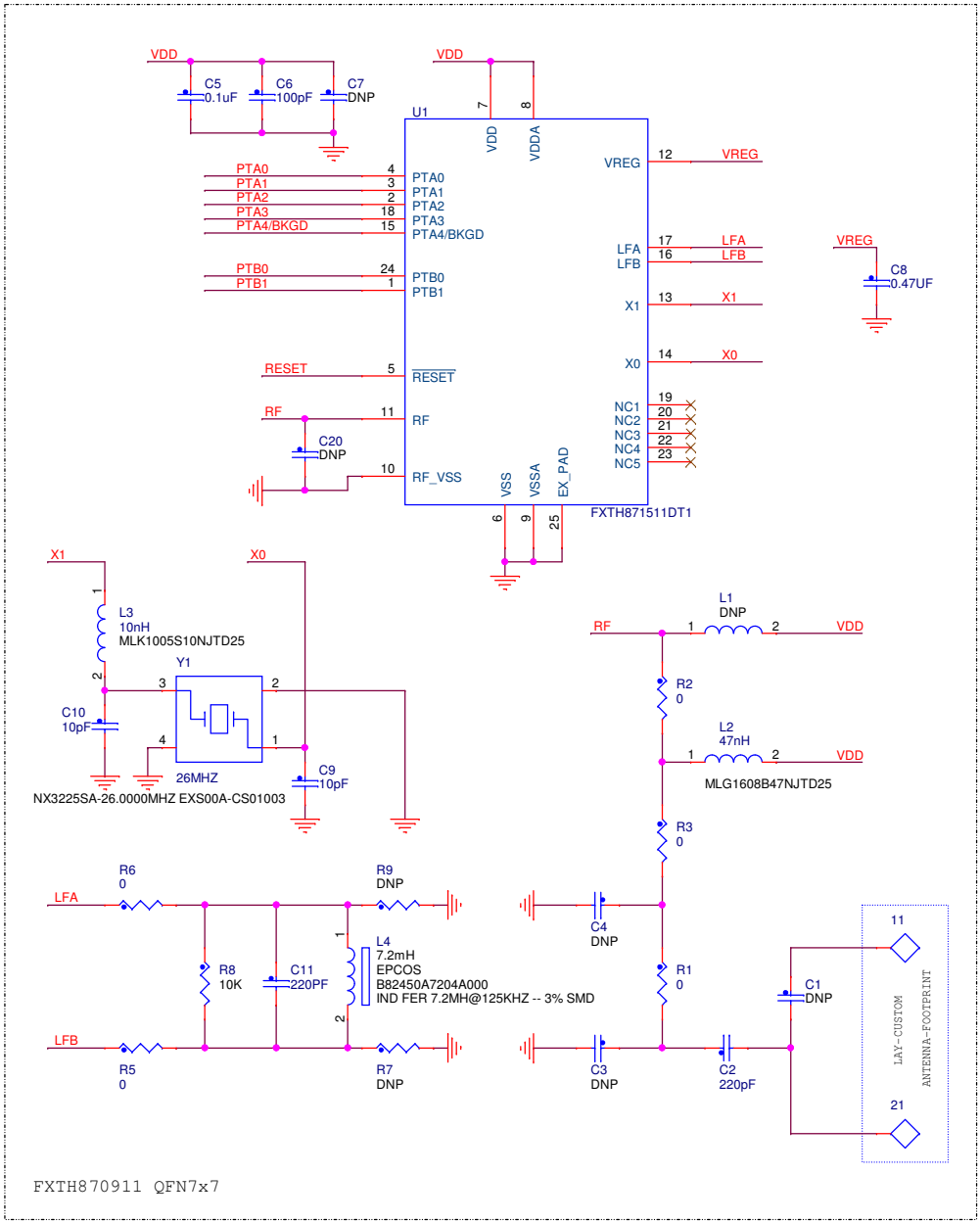
Revisions			
Rev	Description	Date	Approved
X1	Initial release	3-Dec-14	P. Bernard
A	Prototype Release - Review of signal names	07-Jan-15	P. Bernard
B	Production Release	08-June-15	P. Bernard

X-TPMS871511-315

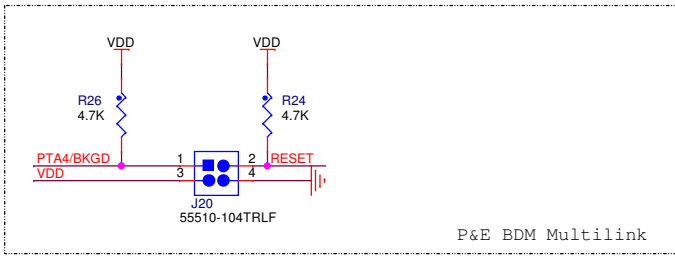
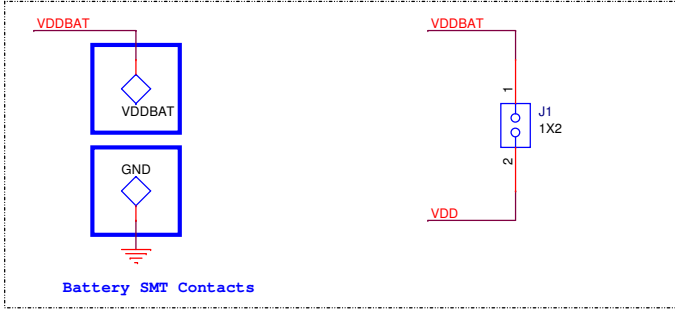
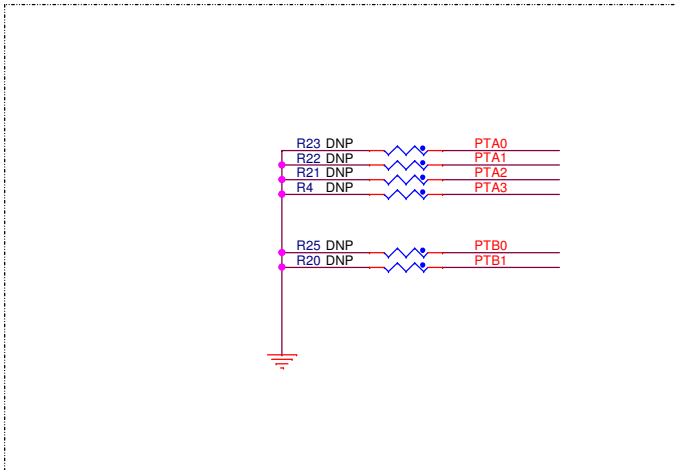
		Analog Sensor Product Group 6501 William Cannon Drive West Austin, TX 78735-8598	
<small>This document contains information proprietary to Freescale and shall not be used for engineering design, procurement or manufacture in whole or in part without the express written permission of Freescale.</small>			
ICAP Classification: FCP: FIUO: X PUB:			
Designer: Pascal Bernard	Drawing Title: X-TPMS871511-315		
Drawn by: Pascal Bernard	Page Title: TITLE PAGE		
Approved: Pascal Bernard	Size B	Document Number SCH-28689 PDF: SPF-28689	Rev B
Date: Monday, June 08, 2015		Sheet 1 of 3	



ICAP Classification:		FCP: _____	FIUO: X	PUBI: _____
Drawing Title:				
X-TPMS871511-315				
Page Title:				
NOTES				
Size B	Document Number			Rev B
	SCH-28689 PDF: SPF-28689			
Date:	Monday, June 08, 2015	Sheet	2	of 3



FXTM870911 QFN7x7



ICAP Classification: FCP: _____ FIUO: X PUBI: _____		
Drawing Title: X-TPMS871511-315		
Page Title: SUBG MODULE		
Size B	Document Number SCH-28689 PDF: SPF-28689	Rev B
Date: Monday, June 08, 2015	Sheet 3 of 3	