
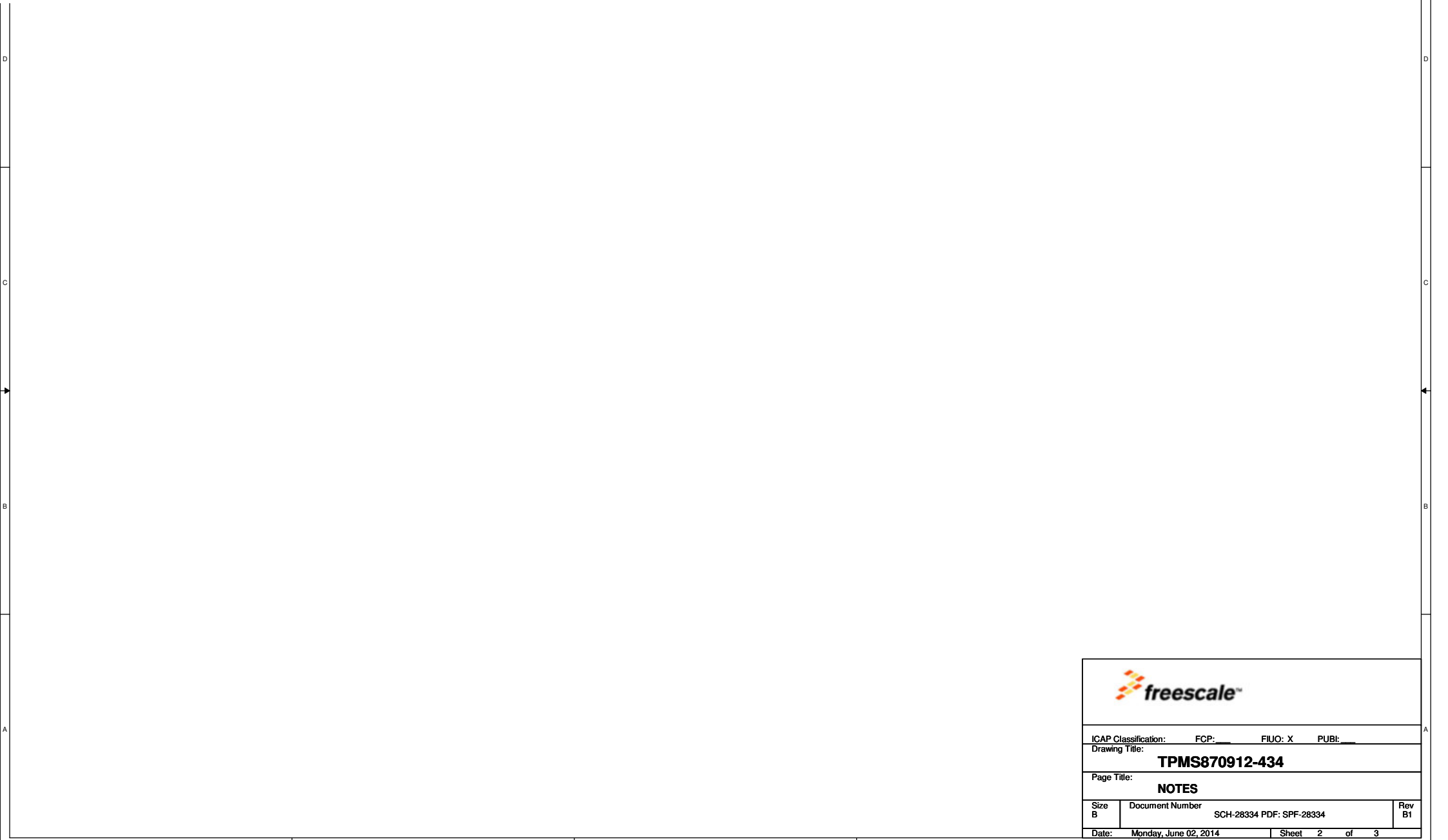


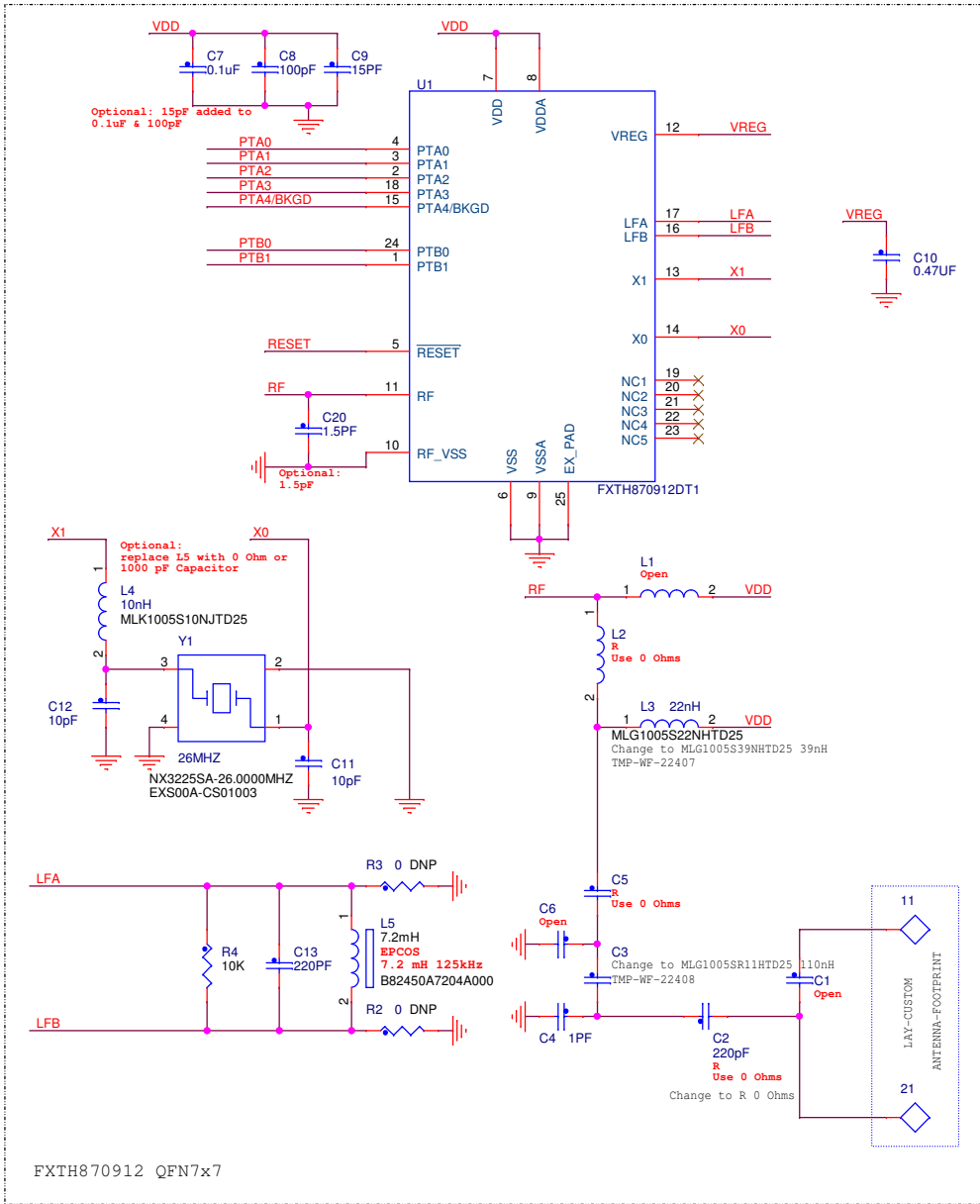
Revisions			
Rev	Description	Date	Approved
X1	Development release	19-Feb-14	P. Bernard
A	Prototype release	28-Feb-14	P. Bernard
B	Added footprint on LFA & LFB for production release	29-Apr-14	P. Bernard
B1	RF Matching Network Updated	2-Jun-14	P. Bernard

# TPMS870912-434

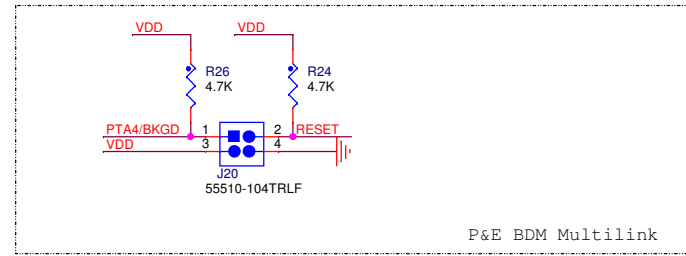
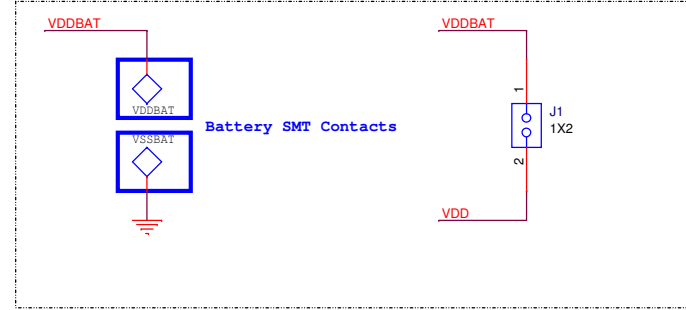
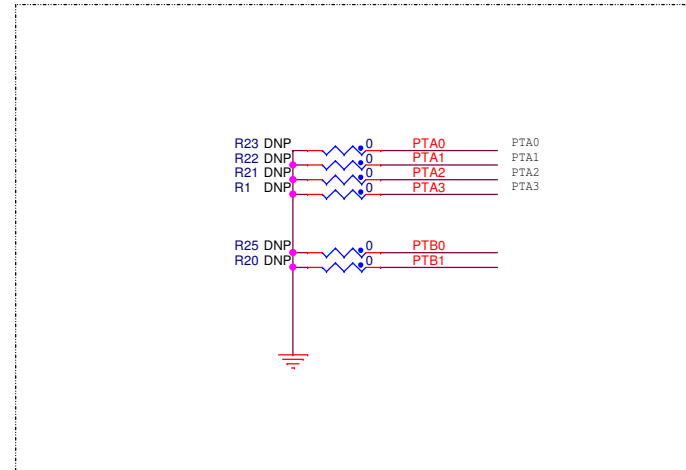
		<b>Analog Sensor Product Group</b> 6501 William Cannon Drive West Austin, TX 78735-8598	
<small>This document contains information proprietary to Freescale and shall not be used for engineering design, procurement or manufacture in whole or in part without the express written permission of Freescale.</small>			
ICAP Classification:    FCP:    FIUO: X    PUB:			
Designer: Pascal Bernard	Drawing Title: <b>TPMS870912-434</b>		
Drawn by: Pascal Bernard	Page Title: <b>TITLE PAGE</b>		
Approved: Pascal Bernard	Size B	Document Number SCH-28334 PDF: SPF-28334	Rev B1
Date: Monday, June 02, 2014		Sheet 1 of 3	



ICAP Classification: FCP: _____ FIUO: X PUBI: _____			
Drawing Title: <b>TPMS870912-434</b>			
Page Title: <b>NOTES</b>			
Size B	Document Number	SCH-28334 PDF: SPF-28334	Rev B1
Date:	Monday, June 02, 2014	Sheet 2	of 3



FXT870912 QFN7x7



ICAP Classification: FCP: _____ FIUO: X PUBI: _____			
Drawing Title: <b>TPMS870912-434</b>			
Page Title: <b>SUBG MODULE</b>			
Size B	Document Number	SCH-28334 PDF: SPF-28334	Rev B1
Date:	Monday, June 02, 2014	Sheet 3 of 3	