

# UM10606

BGA7350 performance at IF=172.2 MHz

Rev. 1 — 14 November 2012

User manual

## Document information

Info	Content
<b>Keywords</b>	Dual VGA. 28 dB attenuator range IF=172.2 MHz NXP
<b>Abstract</b>	This User Manual describes the functionality and performance of the single ended BGA7350 evaluation board, tuned for a IF of 172.2 MHz



## Revision history

Rev	Date	Description
1	20121114	First publication

## Contact information

For more information, please visit: <http://www.nxp.com>

For sales office addresses, please send an email to: [salesaddresses@nxp.com](mailto:salesaddresses@nxp.com)

# 1. Introduction

The BGA7350 is a Silicon MMIC (Monolithic Microwave Integrated Circuit) processed in NXP's mainstream Si QuBIC4+ BiCmos process. This process intrinsic inhibits high  $F_T$  figures (up to 28 GHz), while not compromising ruggedness (breakdown voltage) and noise figures. These characteristics make this device suitable for versatile IF applications like in Base station receive path. The BGA7350 exhibits a logic-level shutdown control to reduce supply current. The BGA7350 is packed in the leadless HVQFN (5 x 5 mm<sup>2</sup>), and in combination with the optimized die design, gives excellent thermal performance, To ensure optimal ESD protections, all pins are ESD protected.

All above mentioned highlight makes the BGA7350 and extreme attractive device with optimal performance/cost ratio, as compared to other devices in the market.

The single ended 172.2 MHz evaluation board (EVB) is designed for optimal performance in the 172.2 MHz frequency ranges, with a bandwidth of 28 MHz, suitable for base station Rx applications, as shown in Fig. 1.

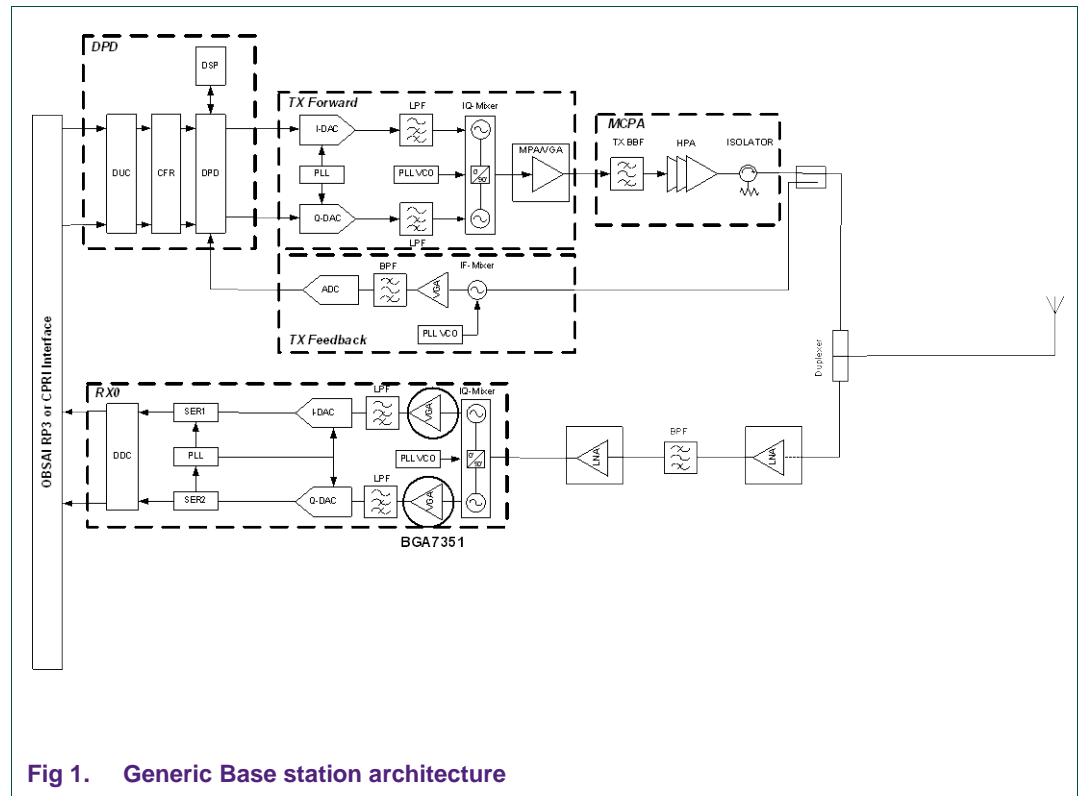


Fig 1. Generic Base station architecture

## 2. Product Profile

### 2.1 General description

The BGA7350 MMIC is a dual independently digitally controlled IF Variable Gain Amplifier (VGA) operating from 50 MHz to 250 MHz. Each IF VGA amplifies with a gain range of 24 dB and at its maximum gain setting delivers 17 dBm output power at 1 dB gain compression and a superior linear performance.

The BGA7350 Dual IF VGA is optimized for a differential gain error of less than  $\pm 0.1$  dB for accurate gain control and has a total integrated gain error of less than  $\pm 0.3$  dB.

The gain controls of each amplifier are separate digital gain-control words, which is provided externally through two sets of 5 bits.

The BGA7350 is housed in a 32 pins  $5 \times 5$  mm<sup>2</sup> leadless HVQFN package.

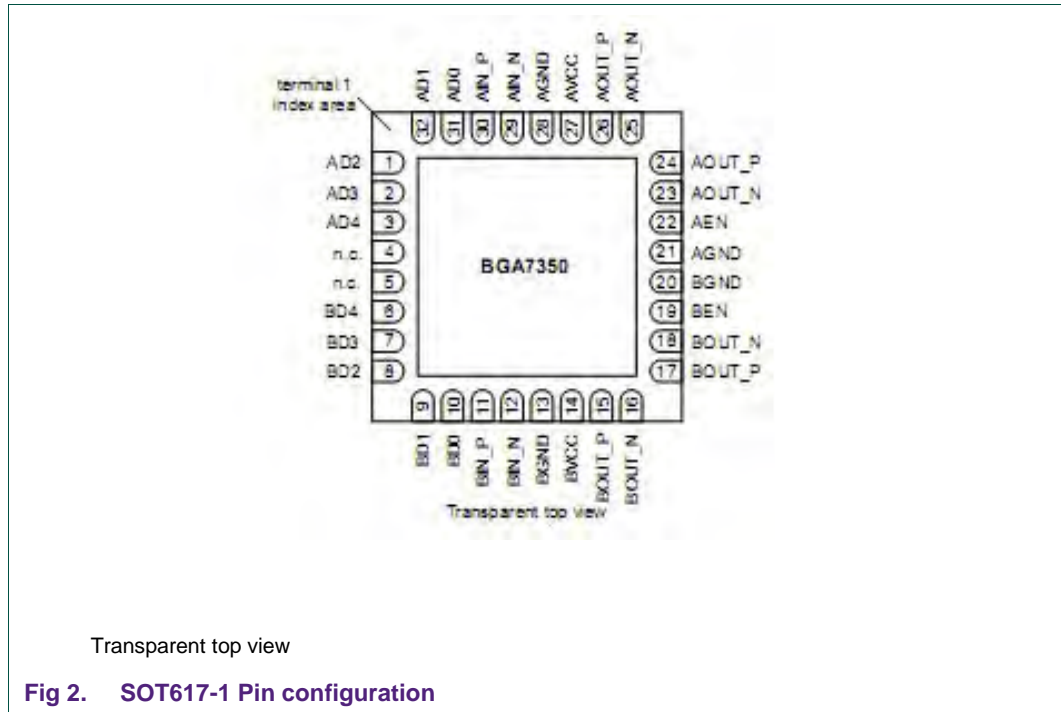
### 2.2 Features and benefits

- Dual independent digitally controlled 28 dB gain range VGAs, with 5-bit control interface
- 50 MHz to 250 MHz frequency operating range
- Gain step size: 1 dB  $\pm$  0.1 dB
- 18.5 dB small signal gain
- Fast gain stage switching capability
- 17 dBm output power at 1 dB gain compression
- 5 V single supply operation with power-down control
- Logic-level shutdown control pin reduces supply current
- Excellent ESD protection at all pins
- Moisture sensitivity level 2
- Compliant to Directive 2002/95/EC, regarding Restriction of Hazardous Substances (RoHS)
- Unconditionally stable
- Excellent differential and integrated gain error

### 2.3 Applications

- Compatible with GSM / W-CDMA carrier/ WiMAX / LTE base-station infrastructure / multi systems carrier
- Multi channel receivers
- General use for DAC driver applications

### 3. Pinning information



### 3.1 Pin description

Table 2. Pin description

Symbol	Pin	Description
AD2	1	MSB – 2 for gain control interface of channel A
AD3	2	MSB – 1 for gain control interface of channel A
AD4	3	MSB for gain control interface of channel A
n.c.	4	not connected <a href="#">[1]</a>
n.c.	5	not connected <a href="#">[1]</a>
BD4	6	MSB for gain control interface of channel B
BD3	7	MSB – 1 for gain control interface of channel B
BD2	8	MSB – 2 for gain control interface of channel B
BD1	9	LSB + 1 for gain control interface of channel B
BD0	10	LSB for gain control interface of channel B
BIN_P	11	channel B positive input <a href="#">[2]</a>
BIN_N	12	channel B negative input <a href="#">[2]</a>
GNDB	13, 20	ground for channel B
VCCB	14	supply voltage for channel B <a href="#">[3]</a>
BOUT_P	15, 17	channel B positive output <a href="#">[2]</a>
BOUT_N	16, 18	channel B negative output <a href="#">[2]</a>
BEN	19	power enable pin for channel B
GNDA	21, 28	ground for channel A
AEN	22	power enable pin for channel A
AOUT_N	23, 25	channel A negative output <a href="#">[2]</a>
AOUT_P	24, 26	channel A positive output <a href="#">[2]</a>
VCCA	27	supply voltage for channel A <a href="#">[3]</a>
AIN_N	29	channel A negative input <a href="#">[2]</a>
AIN_P	30	channel A positive input <a href="#">[2]</a>
AD0	31	LSB for gain control interface of channel A
AD1	32	LSB + 1 for gain control interface of channel A
GND	GND paddle	RF ground and DC ground <a href="#">[4]</a>

[1] Pin to be left open.

[2] Each channel should be independently enabled with logic HIGH and disabled with logic LOW.

[3] RF decoupled.

[4] The center metal base of the SOT617-1 also functions as heatsink for the VGA.

### 4. Functional Diagram

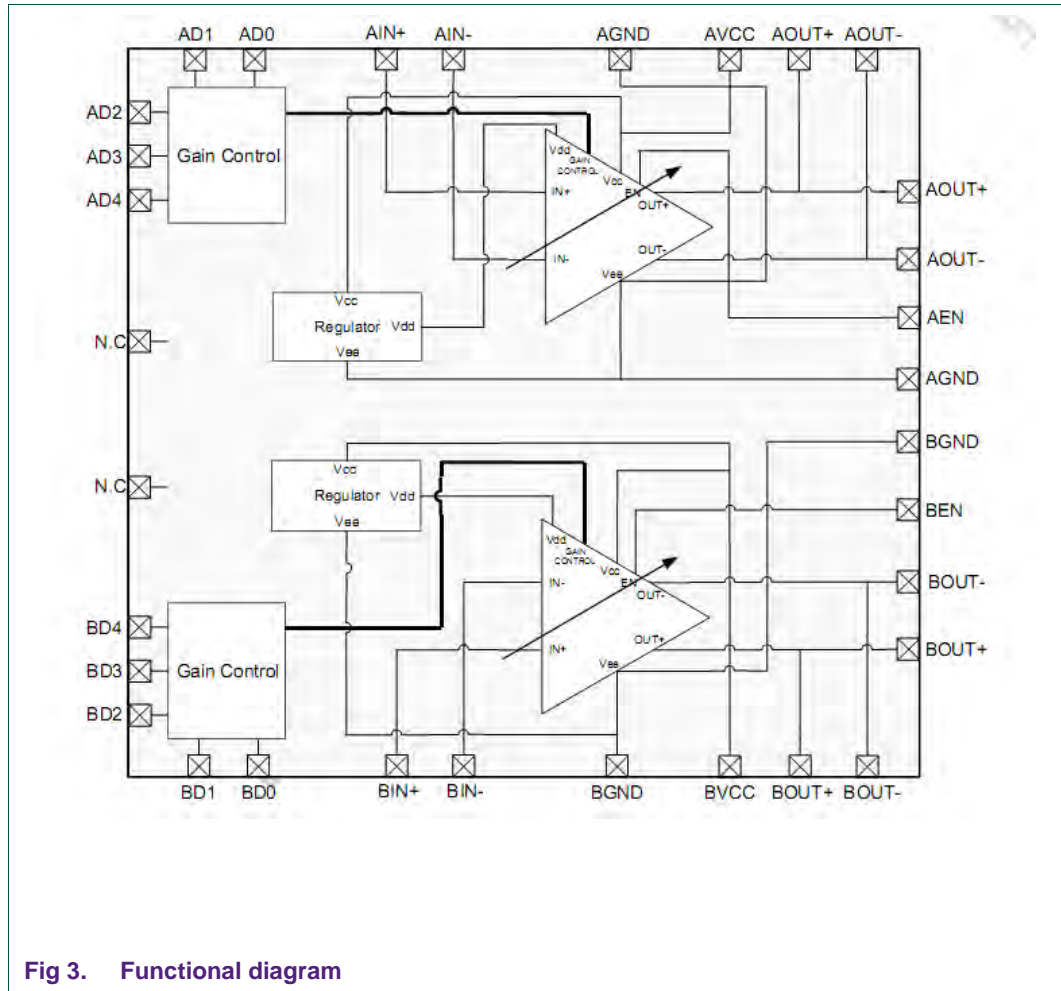


Fig 3. Functional diagram

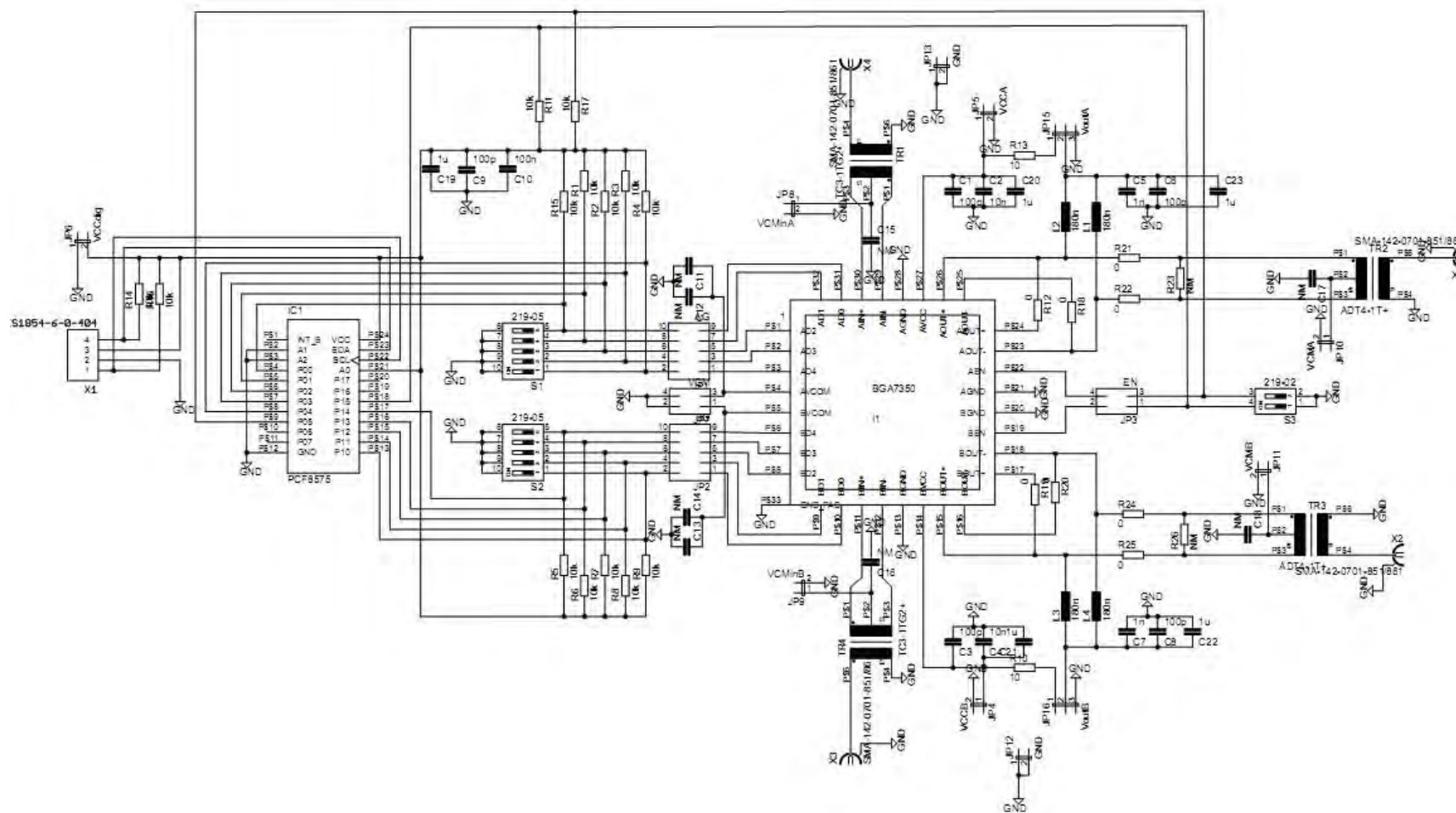
## 5. Gain control Range

Input to all 0 to 4 gain control pins	nominal power gain [dB]
00000	22
00001	21
00010	20
00011	19
00100	18
00101	17
00110	16
00111	15
01000	14
01001	13
01010	12
01011	11
01100	10
01101	9
01110	8
01111	7
10000	6
10001	5
10010	4
10011	3
10100	2
10101	1
10110	0
10111	-1
11000	-2
11001	-3
11010	-4
11011	-5
11100	-6
> 11100	-6

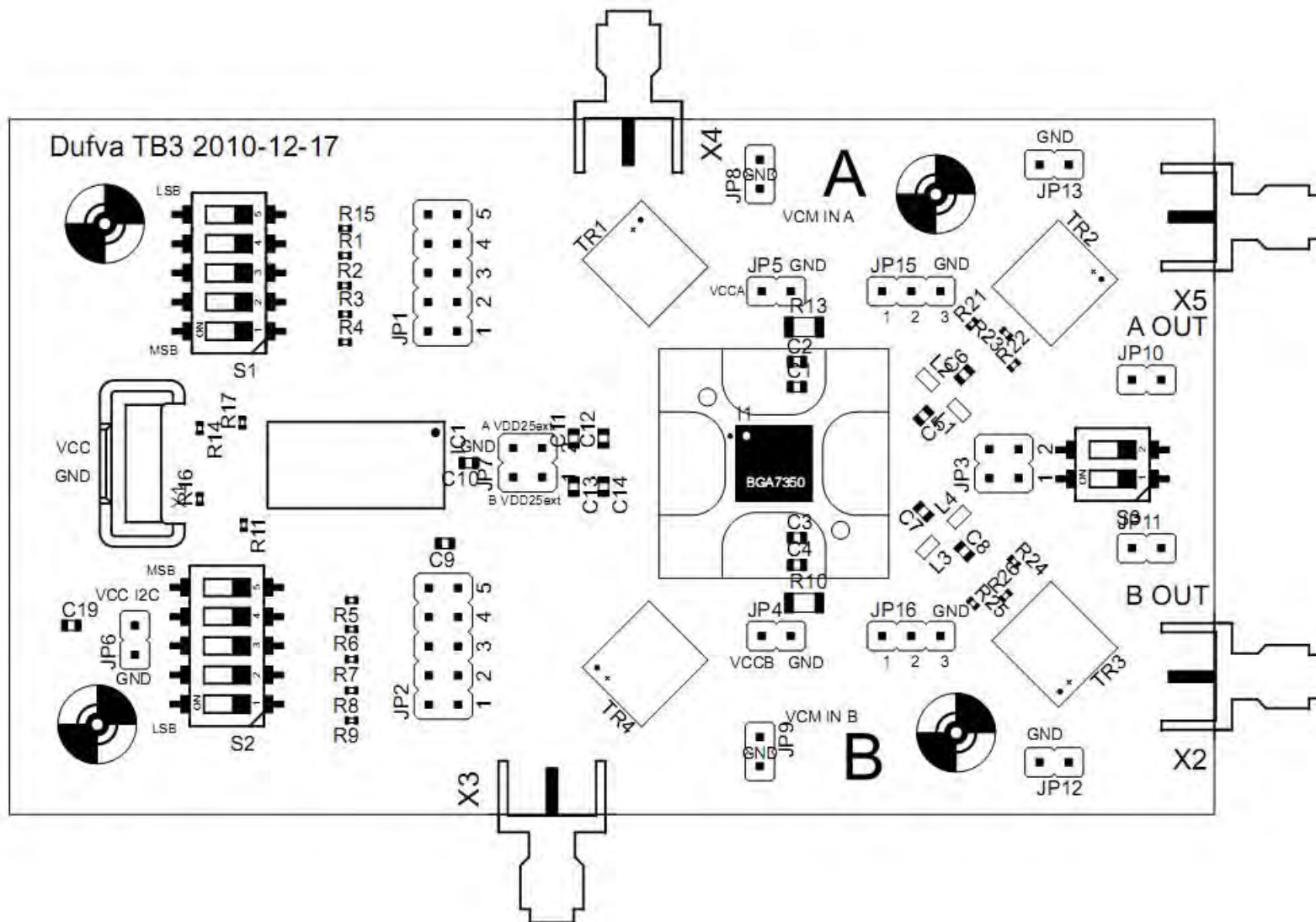
Table 3 Gain control range



6. EVB circuit diagram

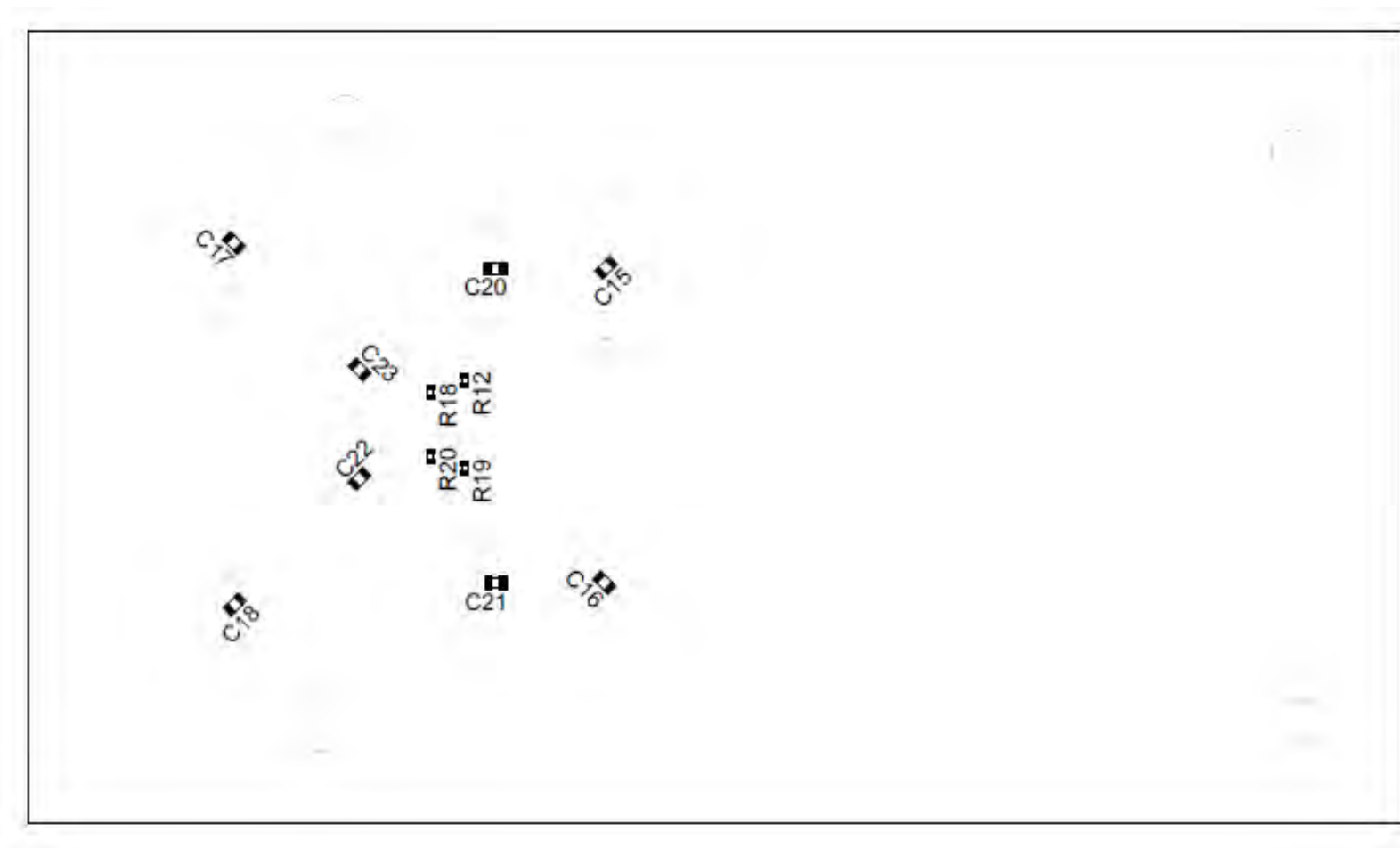


7. Evaluation Board top layout



## 8. Evaluation board bottom layout

---



## 9. Bill of Materials (BOM)

Part	Value	Device	Package	Description
C1	100p		C0603	CAPACITOR
C2	10n		C0603	CAPACITOR
C3	100p		C0603	CAPACITOR
C4	10n		C0603	CAPACITOR
C5	1n		C0603	CAPACITOR
C6	100p		C0603	CAPACITOR
C7	1n		C0603	CAPACITOR
C8	100p		C0603	CAPACITOR
C9	100p		C0603	CAPACITOR
C10	100n		C0603	CAPACITOR
C11	NM		C0603	CAPACITOR
C12	NM		C0603	CAPACITOR
C13	NM		C0603	CAPACITOR
C14	NM		C0603	CAPACITOR
C15	100n		C0603	CAPACITOR
C16	100n		C0603	CAPACITOR
C17	100n		C0603	CAPACITOR
C18	100n		C0603	CAPACITOR
C19	100n		C0603	CAPACITOR
C20	100n		C0603	CAPACITOR
C25	1u		C0603	CAPACITOR
C26	1u		C0603	CAPACITOR
C27	1u		C0603	CAPACITOR
C28	1u		C0603	CAPACITOR
C29	1u		C0603	CAPACITOR
I1	BGA7350		SOT617-1	BGA7350
JP1	AG	2 x 5pins	JP5	JUMPER
JP2	BG	2 x 5pins	JP5	JUMPER
JP3	EN	2 x 2pins	JP2	JUMPER
JP4	VCCB	1 x2pins	JP1	JUMPER
JP5	VCCA	1 x2pins	JP1	JUMPER
JP6	VCCdig	1 x2pins	JP1	JUMPER
JP7	VCM	2 x 2pins	JP2	JUMPER
JP8	VCMInA	1 x2pins	JP1	JUMPER
JP9	VCMInB	1 x2pins	JP1	JUMPER
JP10	VCMA	1 x2pins	JP1	JUMPER
JP11	VCMB	1 x2pins	JP1	JUMPER
JP12	GND	1 x2pins	JP1	JUMPER
JP13	GND	1 x2pins	JP1	JUMPER
JP15	VoutA	1 x3pins	JP3	JUMPER
JP16	VoutB	1 x3pins	JP3	JUMPER
L1	100n	0603LS	0603LS	
L2	100n	0603LS	0603LS	
L3	100n	0603LS	0603LS	
L4	100n	0603LS	0603LS	

Part	Value	Device	Package	Description
R1	10k	R-EU_R0402	R0402	RESISTOR
R2	10k	R-EU_R0402	R0402	RESISTOR
R3	10k	R-EU_R0402	R0402	RESISTOR
R4	10k	R-EU_R0402	R0402	RESISTOR
R5	10k	R-EU_R0402	R0402	RESISTOR
R6	10k	R-EU_R0402	R0402	RESISTOR
R7	10k	R-EU_R0402	R0402	RESISTOR
R8	10k	R-EU_R0402	R0402	RESISTOR
R9	10k	R-EU_R0402	R0402	RESISTOR
R10	10	R-EU_R1206	R1206	RESISTOR
R11	10k	R-EU_R0402	R0402	RESISTOR
R12	0	R-EU_R0402	R0402	RESISTOR
R13	10	R-EU_R1206	R1206	RESISTOR
R14	10k	R-EU_R0402	R0402	RESISTOR
R15	10k	R-EU_R0402	R0402	RESISTOR
R16	10k	R-EU_R0402	R0402	RESISTOR
R17	10k	R-EU_R0402	R0402	RESISTOR
R18	0	R-EU_R0402	R0402	RESISTOR
R19	NM	R-EU_R0402	R0402	RESISTOR
R20	NM	R-EU_R0402	R0402	RESISTOR
R21	0	R-EU_R0402	R0402	RESISTOR
R22	0	R-EU_R0402	R0402	RESISTOR
R23	NM	R-EU_R0402	R0402	RESISTOR
R24	0	R-EU_R0402	R0402	RESISTOR
R25	0	R-EU_R0402	R0402	RESISTOR
R26	NM	R-EU_R0402	R0402	RESISTOR
R27	0	R-EU_R0402	R0402	RESISTOR
R28	NM	R-EU_R0402	R0402	RESISTOR
R29	0	R-EU_R0402	R0402	RESISTOR
R30	NM	R-EU_R0402	R0402	RESISTOR
R31	NM	R-EU_R0402	R0402	RESISTOR
R32	0	R-EU_R0402	R0402	RESISTOR
R33	NM	R-EU_R0402	R0402	RESISTOR
R34	NM	R-EU_R0402	R0402	RESISTOR
R35	0	R-EU_R0402	R0402	RESISTOR
R36	0	R-EU_R0402	R0402	RESISTOR
R37	NM	R-EU_R0402	R0402	RESISTOR
R38	0	R-EU_R0402	R0402	RESISTOR
S1	DIP	219-05	CTS-219-05	Surface
S2	DIP	219-05	CTS-219-05	Surface
S3	DIP	219-02	CTS-219-02	Surface
TR1	ADT3-1T+	transformer		Mini-Circuits
TR2	ADT4-1T+	transformer		Mini-Circuits
TR3	ADT4-1T+	transformer		Mini-Circuits
TR9	ADT3-1T+	transformer		Mini-Circuits
X1	NM	con		
X2	BOU_T_P	SMA connector		SMA
X3	BIN_P	SMA connector		SMA
X4	AIN_P	SMA connector		SMA
X5	AOUT_P	SMA connector		SMA
X10	NM	BU-SMA-V		FEMALE
X11	NM	SMA connector		SMA
X12	NM	SMA connector		SMA
X13	NM	SMA connector		SMA
X14	NM	BU-SMA-V		FEMALE
X15	NM	SMA connector		SMA

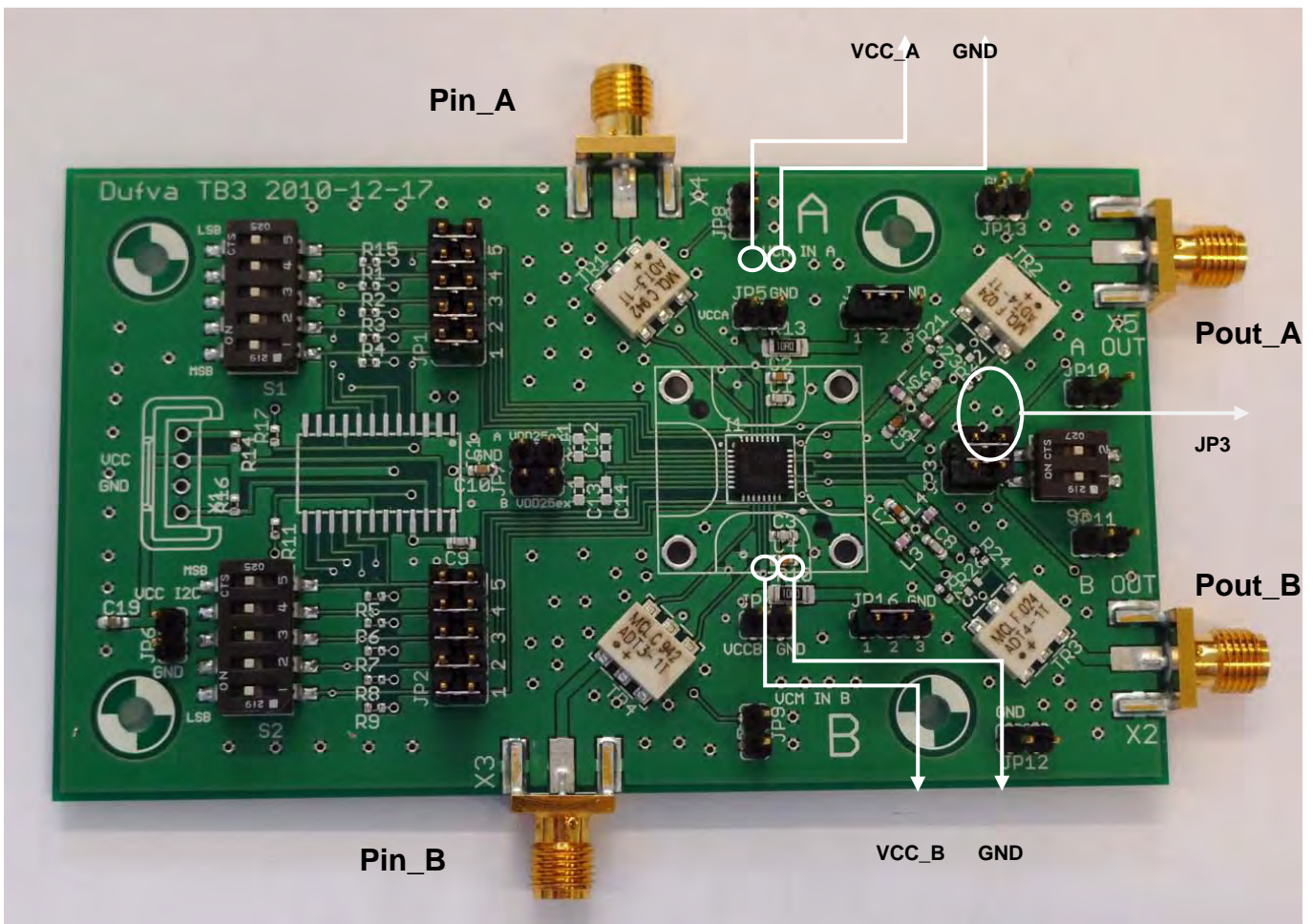


## 10. Operation of the BGA7350 EVB

### 10.1 Applying bias

The EVB, as shown in Fig. 4, should be connected to 5V supply, according the following connections:

1. Leave jumpers JP3 in their current position, as shown in Fig. 4
2. Apply +5V to VCC\_A and/or VCC\_B to the pins, as shown in Fig. 4
3. Apply ground to GND\_A and/or GND\_B pins



26.

Fig 4. BGA7350 EVB picture

### 10.2 Mode of operation

The EVB of the BGA7350 can either be operated in the manual mode or 'automatic' mode. The BGA7350 can be enabled/disabled by switch3 (see Fig.5)

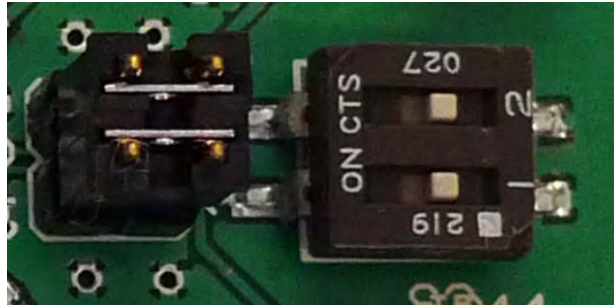


Fig 5. Enable/disable switch S3

#### 10.2.1 Manual mode.

For manual mode operation, all jumpers, as shown in Fig. 5 must be in place. Also a 5V pull-up voltage and ground should be applied, as indicated as 5V/GND pull-up in Fig. 6.

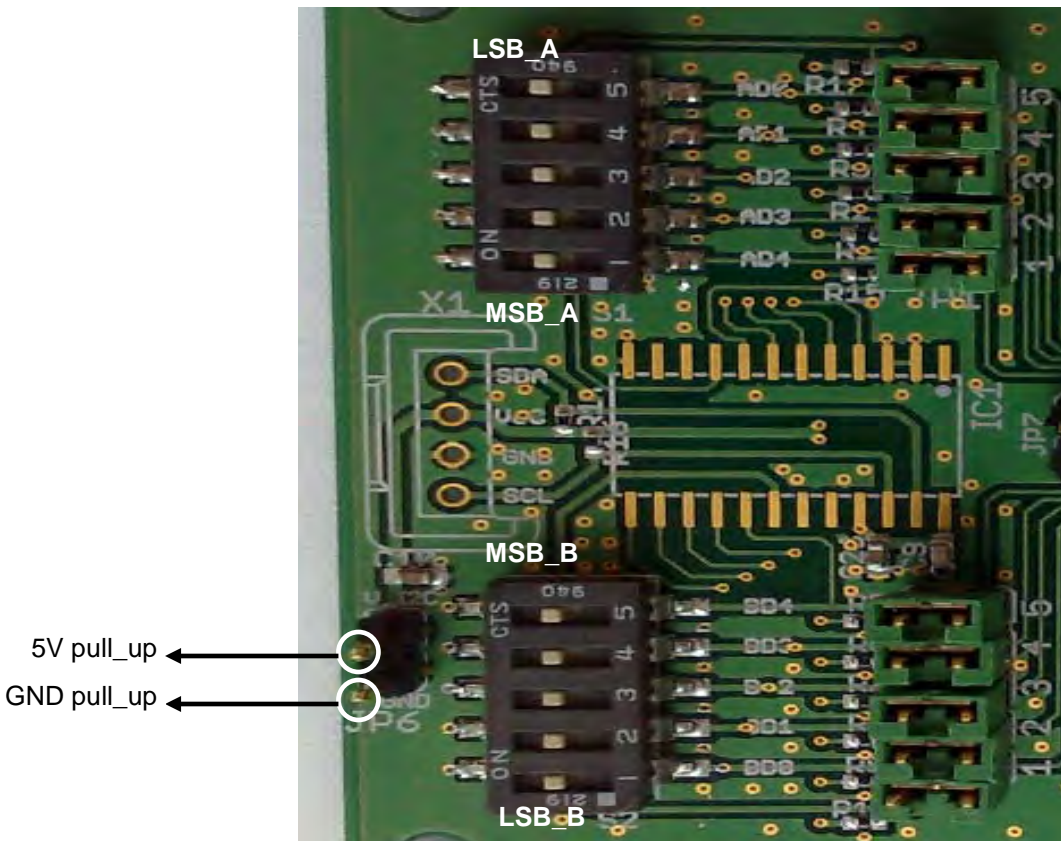


Fig. 6 Manual gain settings by switches S1 and S2

With the positions of S1 and S2, the gain range can be adjusted according the values in Table.3.

### 10.3 Mode of operation

The EVB of the BGA7350 can either be operated in the manual mode or 'automatic' mode. The BGA7350 can be enabled/disabled by switch3 (see Fig.5)

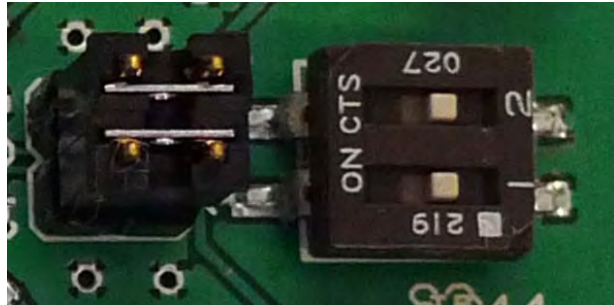


Fig 5. Enable/disable switch S3

#### 10.3.1 Manual mode.

For manual mode operation, all jumpers, as shown in Fig. 5 must be in place. Also a 5V pull-up voltage and ground should be applied, as indicated as 5V/GND pull-up in Fig. 6.

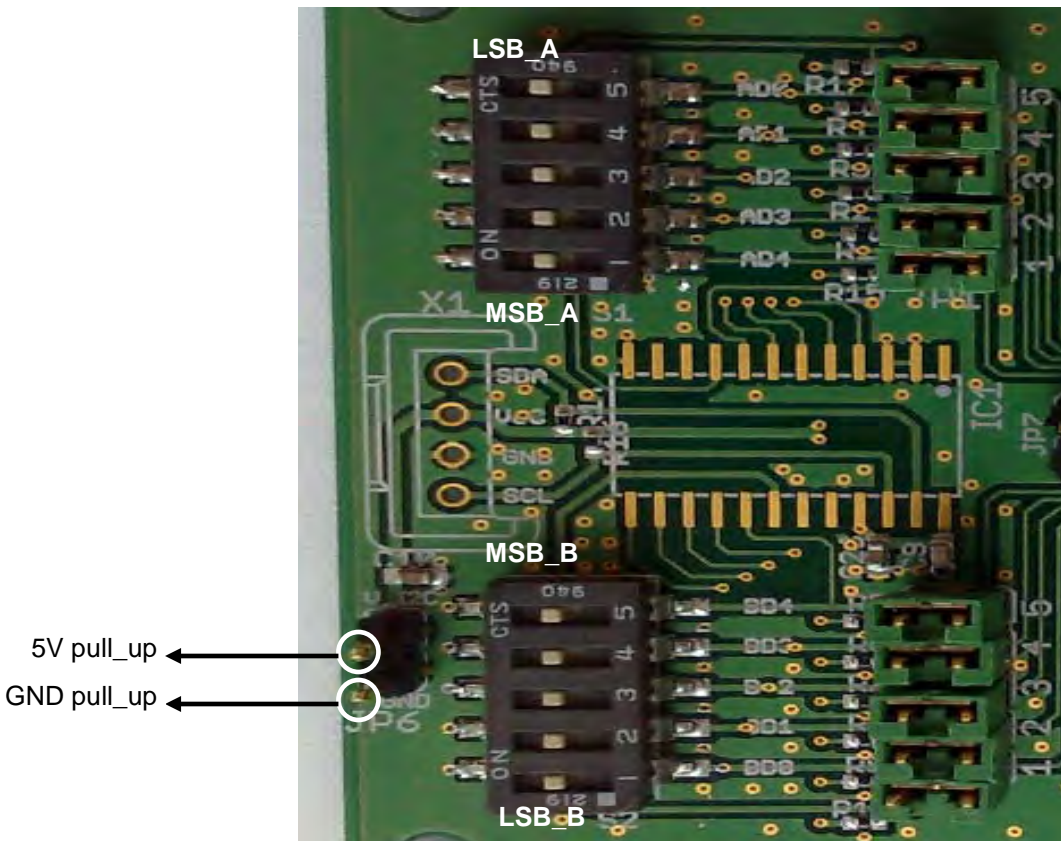


Fig. 6 Manual gain settings by switches S1 and S2

With the positions of S1 and S2, the gain range can be adjusted according the values in Table.3.



10.3.2 'Automatic' mode

For 'automatic' mode of operations the jumpers according Fig. 6 should be removed, and logic levels should be applied to the rows (also I<sup>2</sup>C operation is possible, but not functional on this EVB), as indicated by the white circles (see Fig. 7). The logic levels applied to the pins should be within the following range:

0V < '0' < 0.8V

1.6V < '1' < 5V

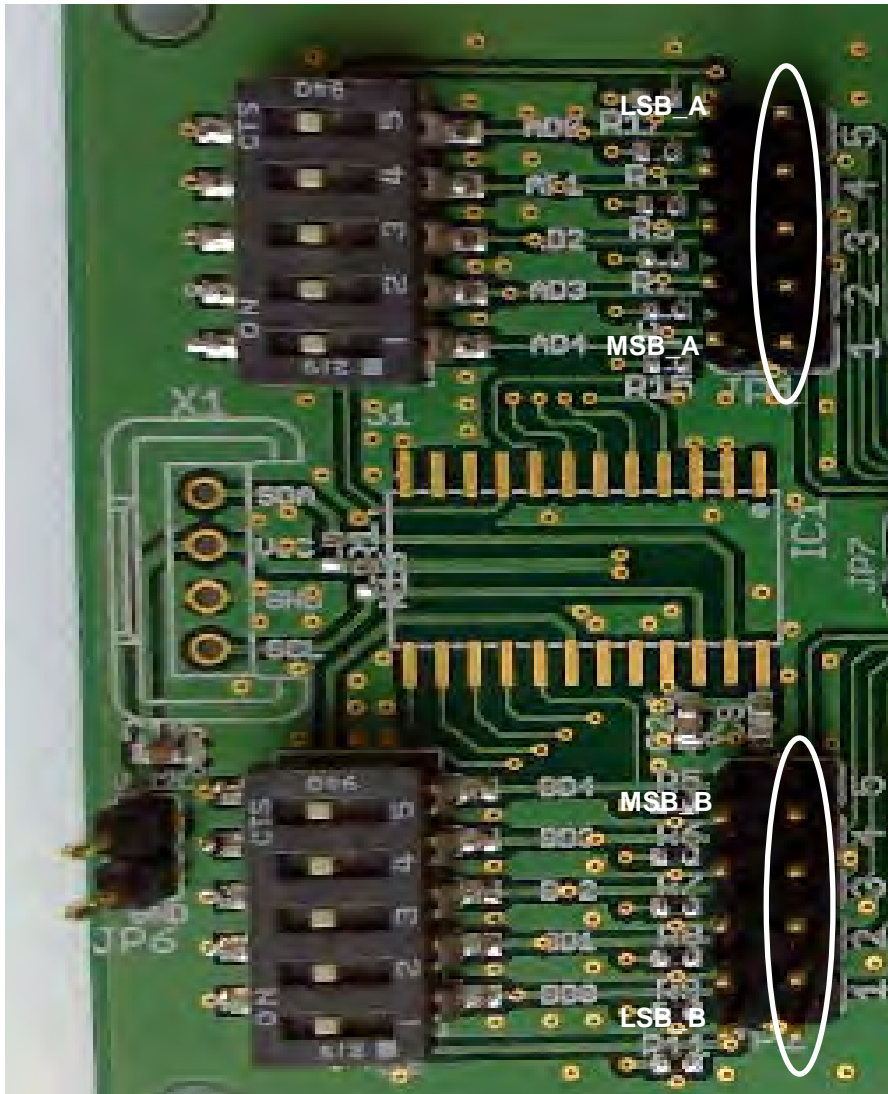


Fig. 7 Gain setting control by logic levels, according table 3

## 11. Measurements

---

On the BGA7350, the following measurements have been performed:

1. S-parameters. From the S-parameter measurements the following data can be deducted:
  - a. S-parameters (S<sub>par</sub>)
  - b. Power gain (G<sub>p</sub>)
  - c. Gain adjustment range ( $\Delta g_{adj}$ )
  - d. Gain step (G<sub>step</sub>)
  - e. Gain Flatness (G<sub>flat</sub>)
  - f. Differential gain error (E<sub>g<sub>diff</sub></sub>)
  - g. Integrated gain error (E<sub>g<sub>itg</sub></sub>)
  - h. Isolation (ISL)
  - i. Output power at 1dB compression (P<sub>1dB</sub>)
  
2. Harmonic Measurements. From the Harmonic measurements the following data can be deducted:
  - a. Output third order intercept point (IP<sub>3O</sub>)
  - b. Second harmonic (H<sub>2</sub>)
  
3. Noise Measurements. From the Noise measurements the following data can be deducted:
  - a. Noise Figure (NF)
  
4. Timing measurement. From the Timing measurements the following data can be deducted:
  - a. Gain step settling time (min/max) (t<sub>s(step)G</sub>)

## 11.1 Measurement definitions

### 11.1.1 Differential input and output impedance

$$|Z_i| = \left| \frac{(1+S_{11}(F))}{(1-S_{11}(F))} \right| * 50\Omega, \quad \text{with } F = 100\text{MHz} \dots 240\text{MHz}$$

$$|Z_o| = \left| \frac{(1+S_{22}(F))}{(1-S_{22}(F))} \right| * 50\Omega, \quad \text{with } F = 100\text{MHz} \dots 240\text{MHz}$$

### 11.1.2 Absolute gain accuracy

$$\text{Absolute gain accuracy (170MHz)} = 20\log(|S_{21}(170\text{MHz})|) - 22\text{dB} \quad (= \text{typical max gain})$$

### 11.1.3 Gain flatness

$$\text{Gain flatness (F)} = \text{Max} (\text{Gain}(F + \frac{1}{2} F_d \dots F - \frac{1}{2} F_d)) - \text{Min} (\text{Gain}(F + \frac{1}{2} F_d \dots F - \frac{1}{2} F_d))$$

with  $\text{Gain}(F) = 20 * \log(|S_{21}(F)|)$

### 11.1.4 Differential gain errors

$$\text{Differential gain error} = \max | \text{Gain}(x) - \text{Gain}(x-1) - 1\text{dB} |, \quad \text{with}$$

$$\text{Gain}(x) = 20\log(|S_{21}(x)|) \text{ measured at } 170 \text{ MHz and } x = \text{gain setting } (1 \dots 24)$$

$$\text{Differential gain error (upper 12dB)} = | \text{Gain}(0) - \text{Gain}(12) - 12\text{dB} |, \quad \text{with}$$

$$\text{Gain}(x) = 20\log(|S_{21}(x)|) \text{ measured at } 170 \text{ MHz and } x = \text{gain setting}$$

$$\text{Differential gain error (full range)} = | \text{Gain}(0) - \text{Gain}(24) - 24\text{dB} |, \quad \text{with}$$

$$\text{Gain}(x) = 20\log(|S_{21}(x)|) \text{ measured at } 170 \text{ MHz and } x = \text{gain setting}$$

### 11.1.5 Differential phase errors

$$\text{Differential phase error (consecutive gain steps)} = \arg(S_{21}(x)) - \arg(S_{21}(x-1))$$

$$\text{with } x = \text{gain setting } (0 \dots 24), \text{ measured } 170 \text{ MHz}$$

$$\text{Differential phase error (any two steps upper 12dB)} = \max(\arg(S_{21}(x;x-12))) - \min(\arg(S_{21}(x;x-12)))$$

$$\text{with } x = \text{gain setting, measured at } 170 \text{ MHz}$$

$$\text{Differential phase error (any two steps)} = \max(\arg(S_{21}(x))) - \min(\arg(S_{21}(x)))$$

$$\text{with } x = \text{gain setting } (0 \dots 24), \text{ measured at } 170 \text{ MHz}$$

### 11.1.6 OPI3

OIP3low =  $P_o(F_1) + \frac{1}{2} (P_o(F_1) - P_o(F_1 - 2\text{MHz}))$ , with  $F_1 = 170\text{ MHz}$   $F_2 = F_1 + 2\text{MHz}$

OIP3high =  $P_o(F_2) + \frac{1}{2} (P_o(F_2) - P_o(F_2 - 2\text{MHz}))$ , with  $F_1 = 170\text{ MHz}$   $F_2 = F_1 + 2\text{MHz}$

OIP3 = Min (OIP3low, OIP3high)

### 11.1.7 H2

2<sup>nd</sup> order harm (F) =  $20\log(|S_{21}(2*F)|) - 20\log(|S_{21}(F)|)$

### 11.2 S-parameter measurements

The S-parameters (and the above mentioned derivative measurements) are measured with a full two-port calibrated network analyzer; over the frequency range 100 –240 MHz. Also the output power compression point ( $P_{1dB}$ ) has been measured with the network analyzer. In the latter case, a calibrated power sweep has been performed, in order to obtain the  $P_{1dB}$ .

All gain and phase measurements have been performed with a constant output power of +5 dBm, meaning that for every 1 dB increase of attenuation, the input power also have to increase by +1 dBm.

The non-used port's of the dual VGA (channel A or B) has been terminated with a 50-Ohm load.

The isolation measurement (ISL) have been performed by injecting the signal to the input of channel A, and measuring the response at the output of channel B (and vice versa), with the remaining input and output terminated with 50 Ohm.

### 11.3 Harmonic measurements.

The harmonic measurements ( $OIP_2$ ,  $OIP_3$  and  $H_2$ ) have been measured with a set-up, as described in Fig. 8.

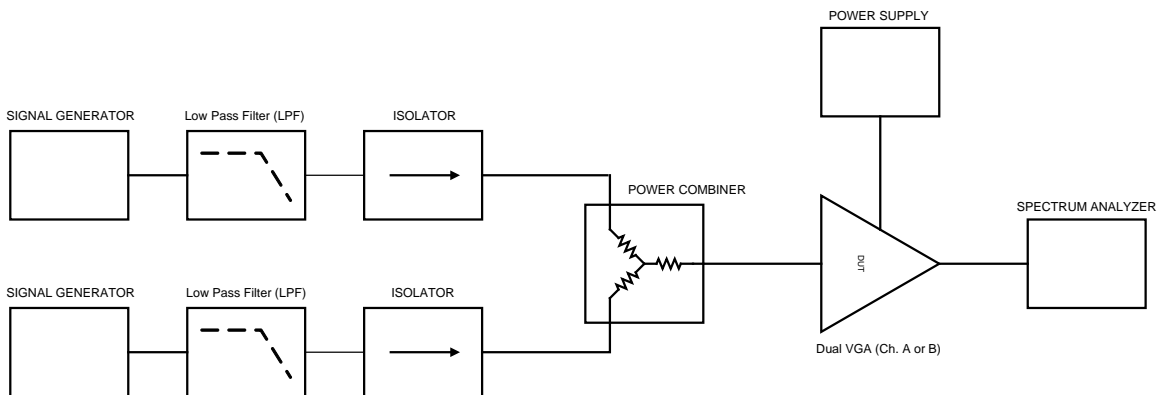


Fig. 8 Harmonic measurement set-up

A low-pass filter at the output of the signal generators guaranties suppression of the  $H_2$  generated by the generator itself.

### 11.4 Noise Figure measurements

The Noise Figure (NF) has been measured with a noise source (Excess Noise Ratio ENR=15.3 dB), in combination with a spectrum analyzer with a noise measurement option. (See Fig.9)

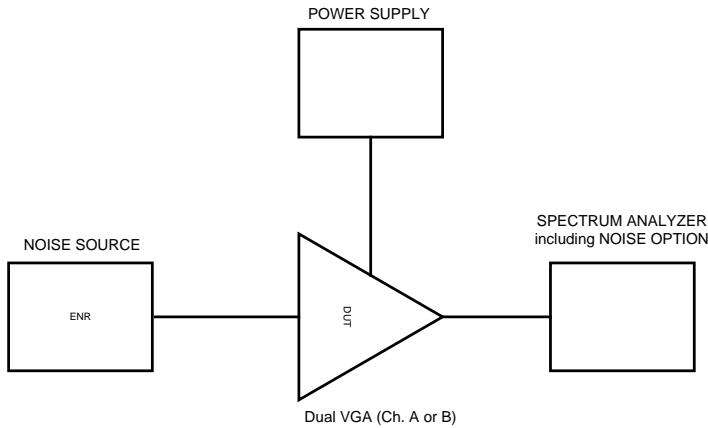


Fig. 9 Noise Figure Measurements

### 11.5 Timing Measurement.

In order to determine the gain step settling time, the set-up as shown in Fig. 10 has been used. A pulse generator (preferably a pulse generator that can supply the proper logic levels) is connected to the disable/enable pin of the EVB. The input (Pin\_A or Pin\_B) is connected to a signal generator (or network analyzer ) to supply the RF input signal. The response (Pout\_A or Pout\_B) is measured with a digital sampling scope, triggered by the pulse generator. The 50-Ohm input of the sampling scope is used, in order to terminate the output of the dual VGA properly.

With the pulse generator, the gain settings are switch from minimum (00000) to maximum (11000) attenuation.

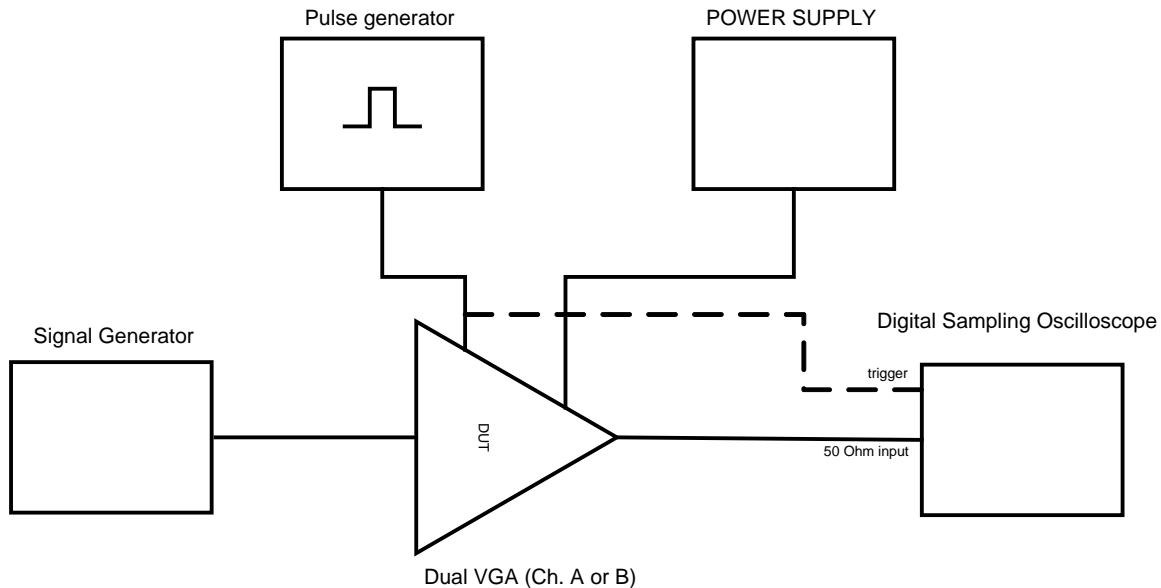


Fig. 10 Timing measurements

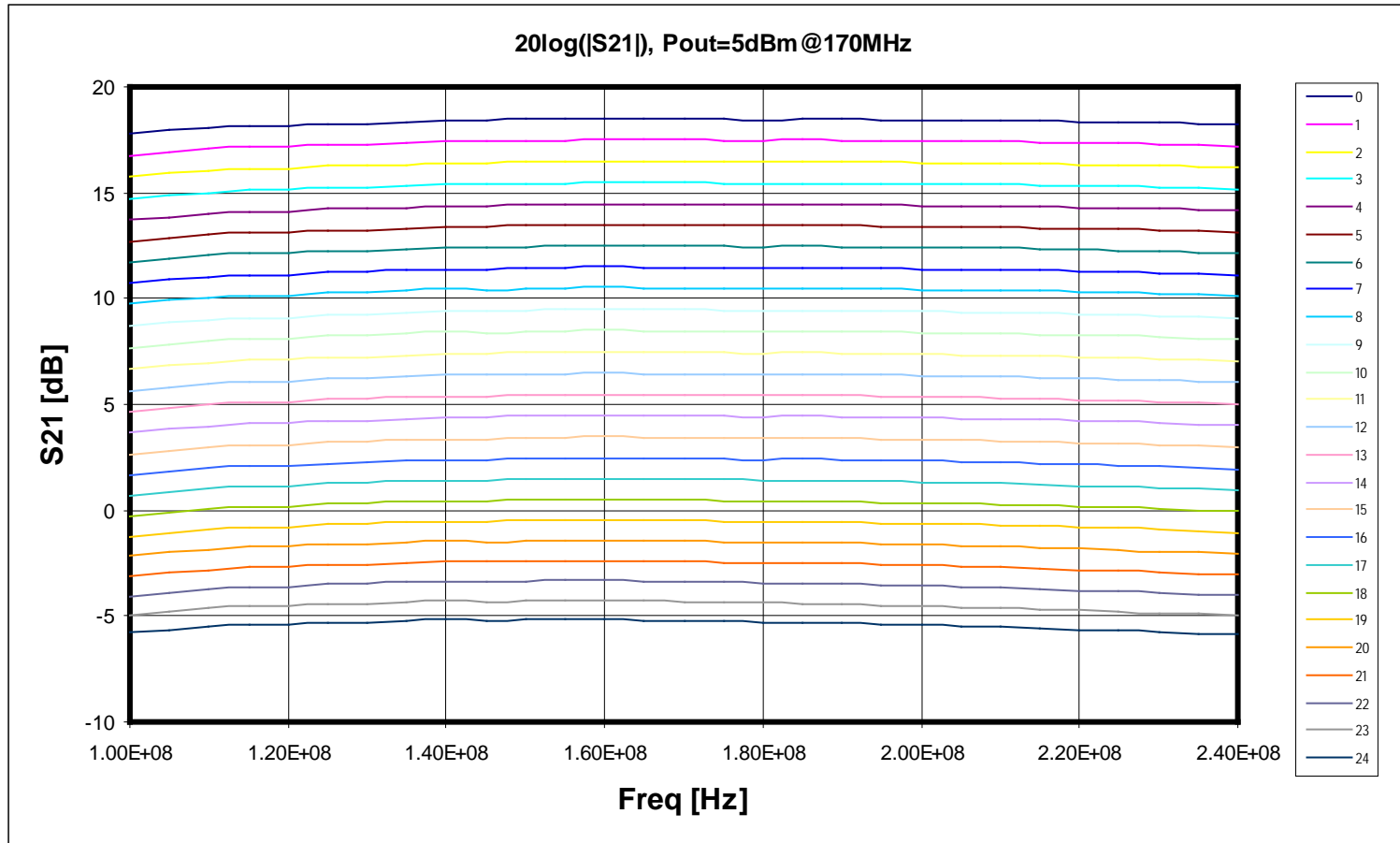
## 11.6 Measurement results

The section following below shows performance measurements of the BGA7350 EVB in single-ended operations.

The EVB has been measured under the following conditions:

- Measurement data corrected for input-and output transformer losses
- Input transformer; losses 0.55 dB, transformer ratio 1:3
- Output transformer; losses 0.6 dB, transformer ratio 1:4
- EVB optimized for 172.2 MHz operation (other frequency ranges can be easily optimized by changing L1 .. L4, see also circuit diagram).
- 5V supply
- 25 deg. Ambient temperature

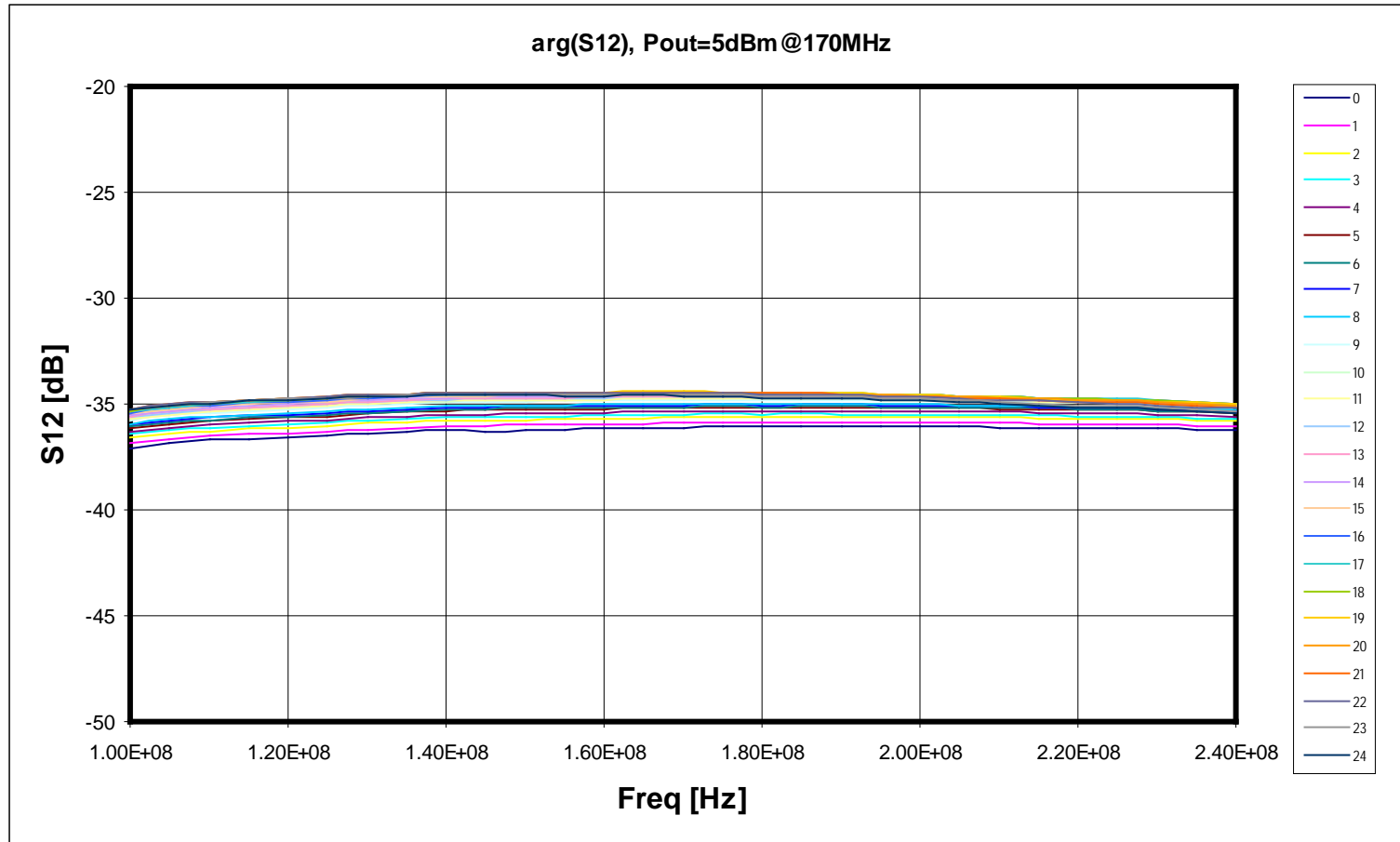
11.6.1 Gain as function of frequency and attenuator range



Note: every gain step measured @Pout= 5dBm

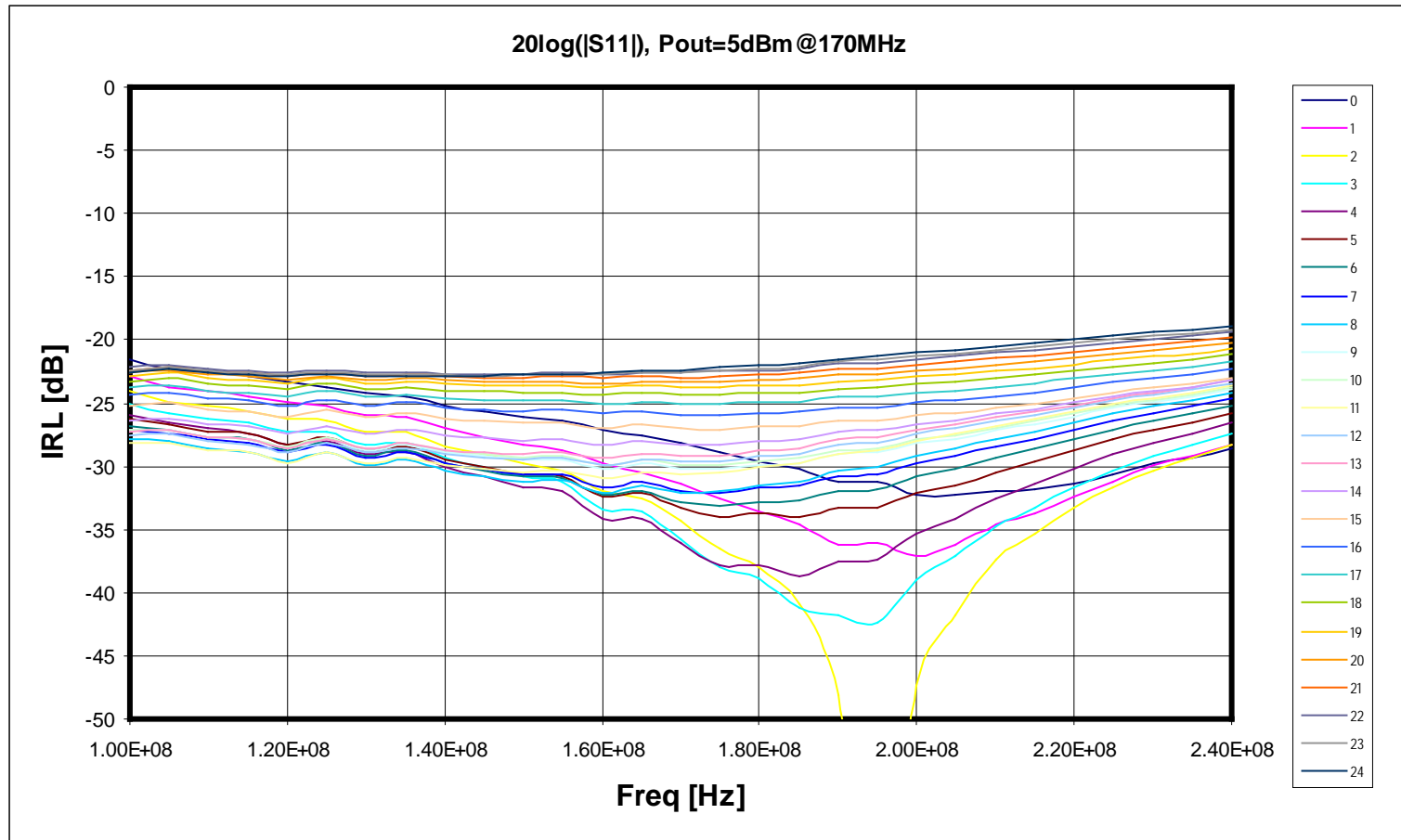


11.6.2 S-parameters; S12



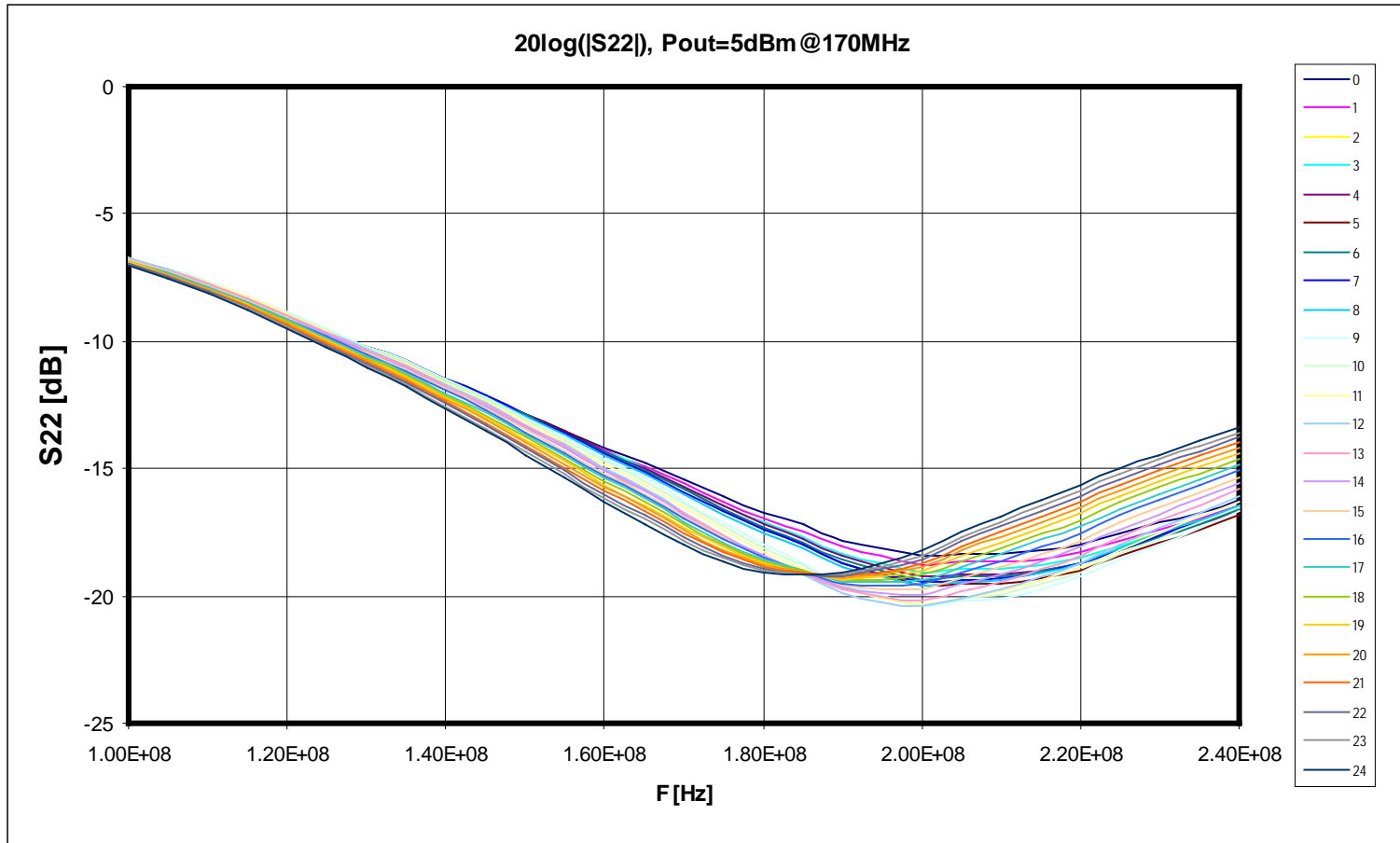
Note: every gain step measured @Pout= 5dBm

## 11.6.3 S-parameters; S11



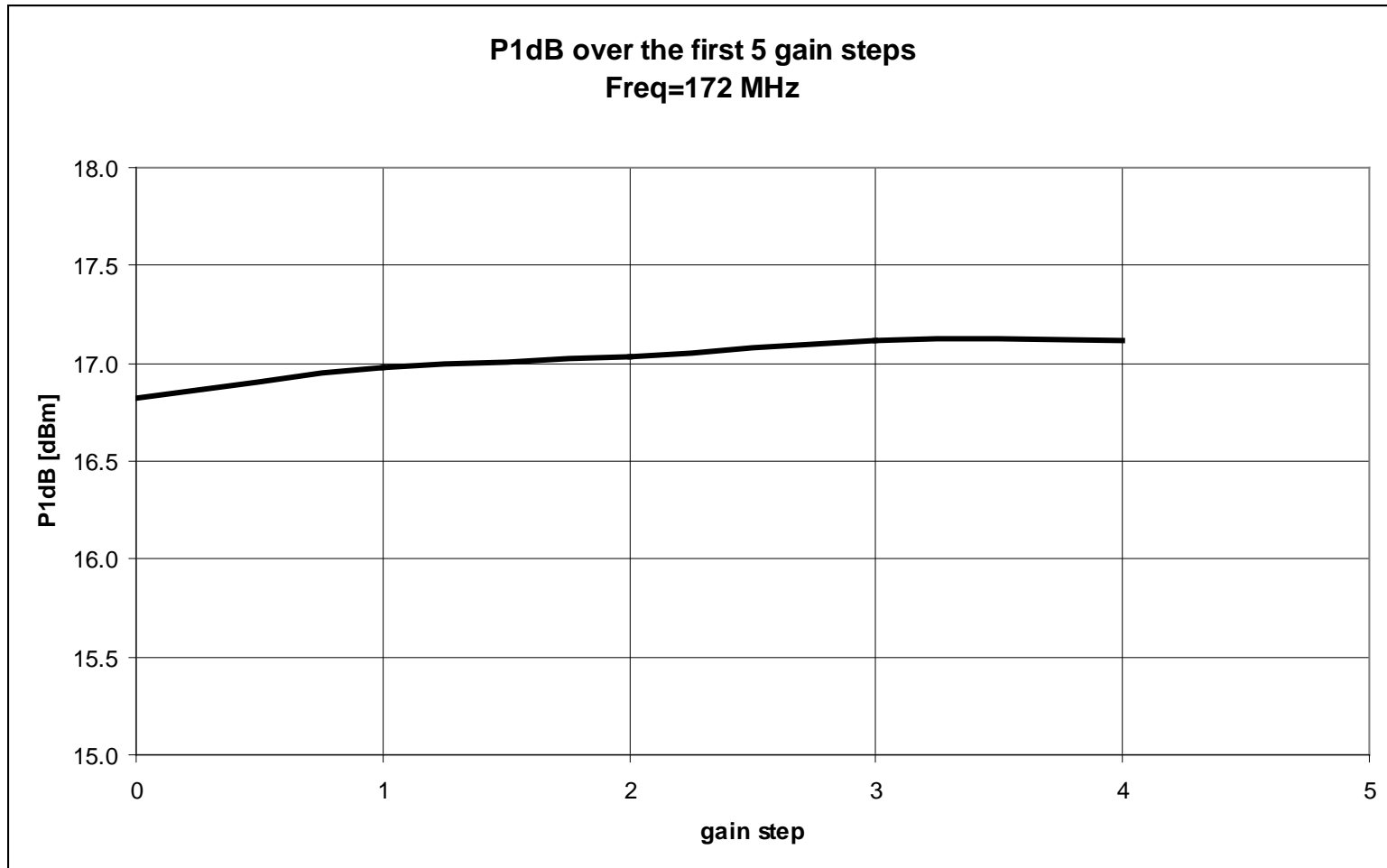
**Note: every gain step measured @Pout= 5dBm**

11.6.4 S-parameters; S22

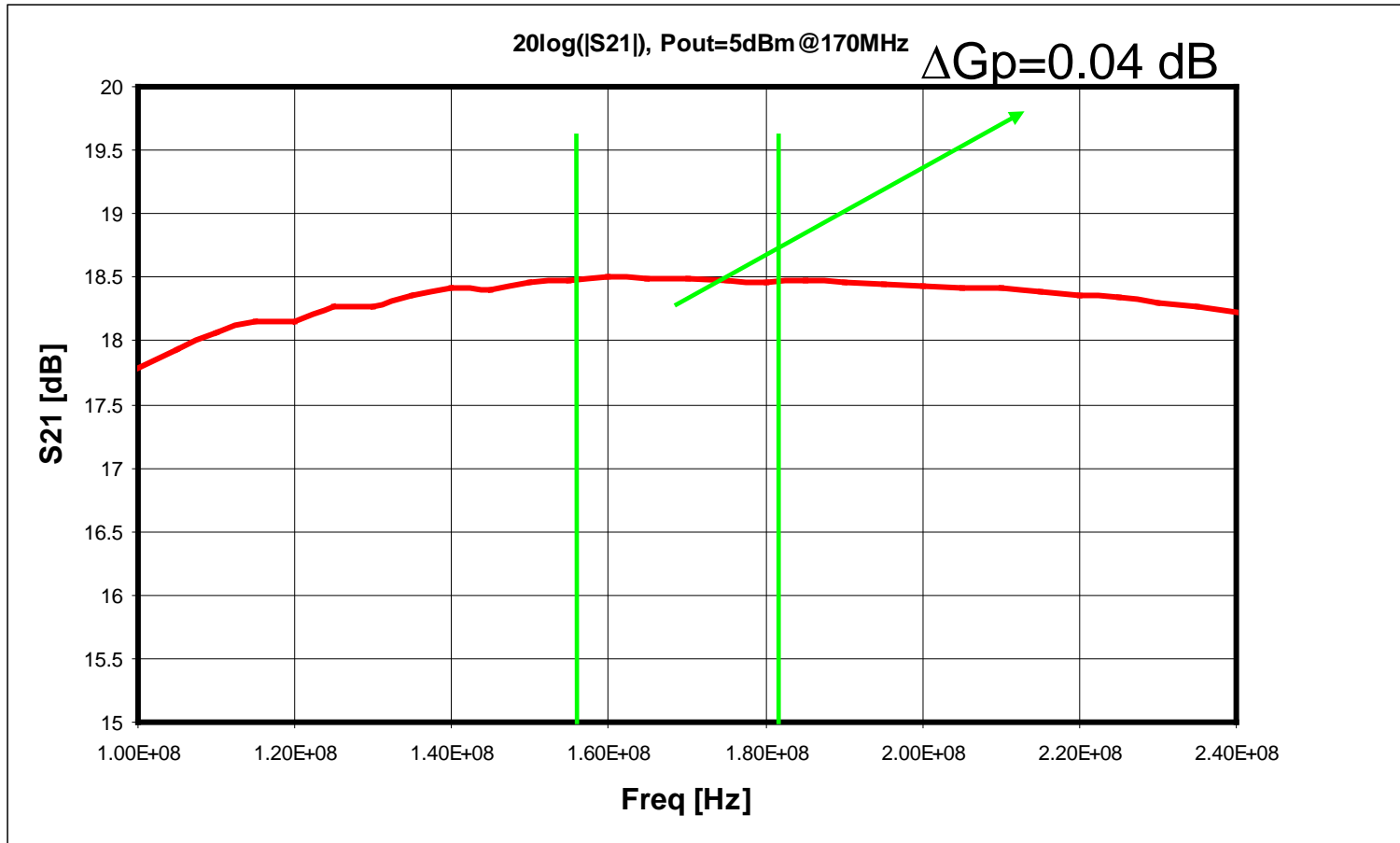


**Note: every gain step measured @Pout= 5dBm**

11.6.5 P1dB over first 5 gain steps

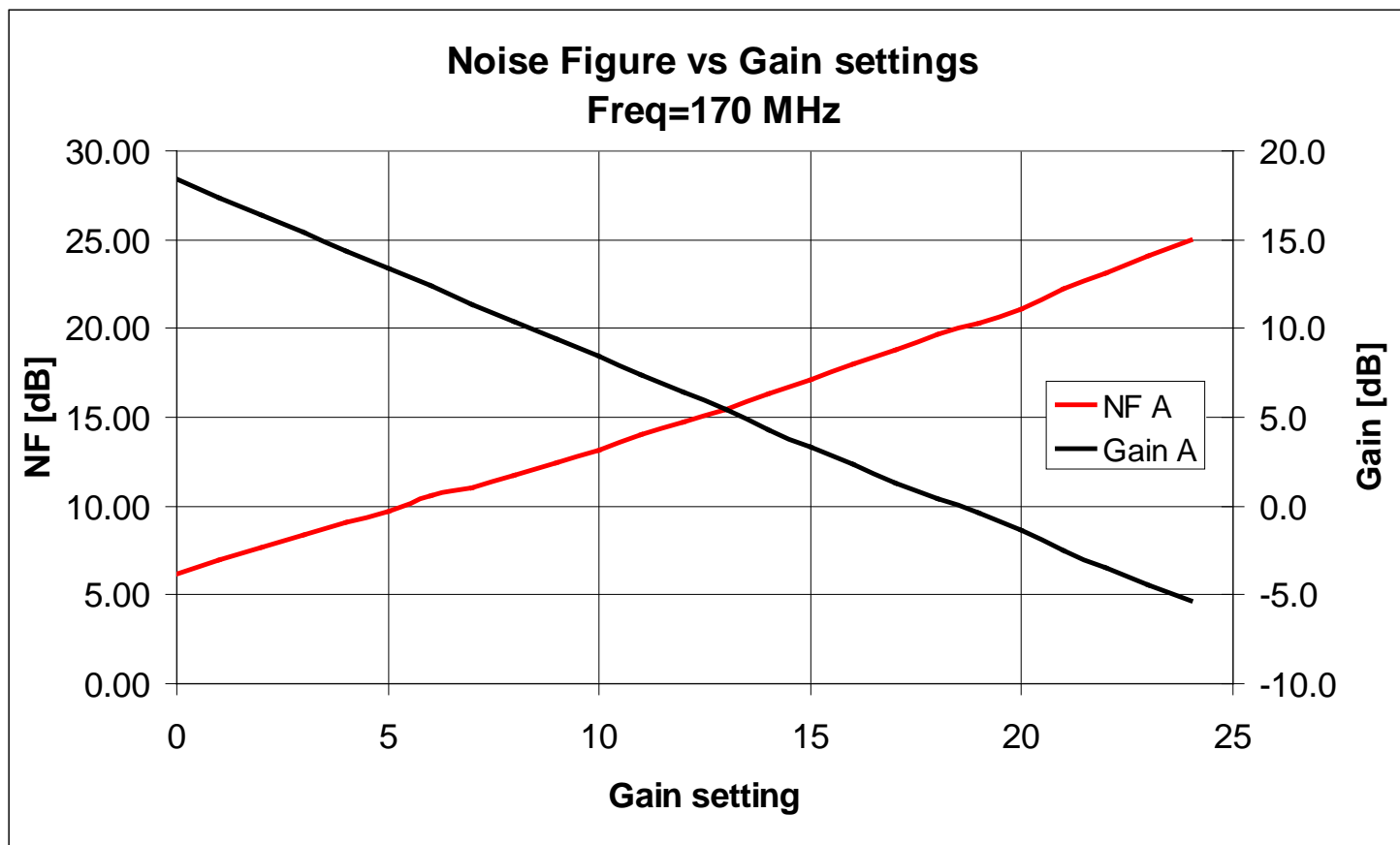


11.6.6 Gain Flatness @maximum gain



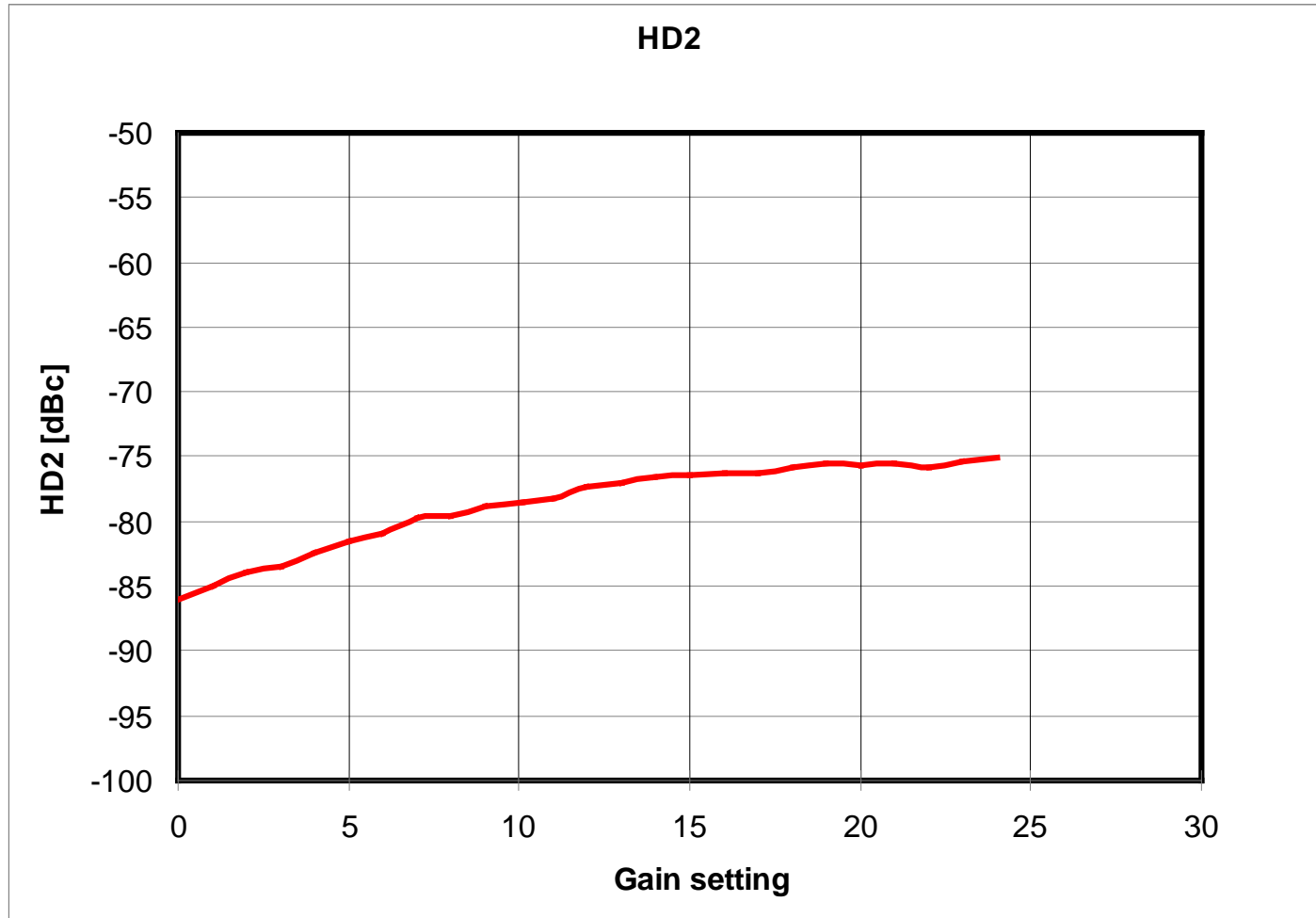
$\Delta G_p = 0.04$  dB over operating frequency band

11.6.7 Noise Figure versus gain settings



Fmin=6.2 dB (@minimum attenuation, noise step = 0.8dB/dB)

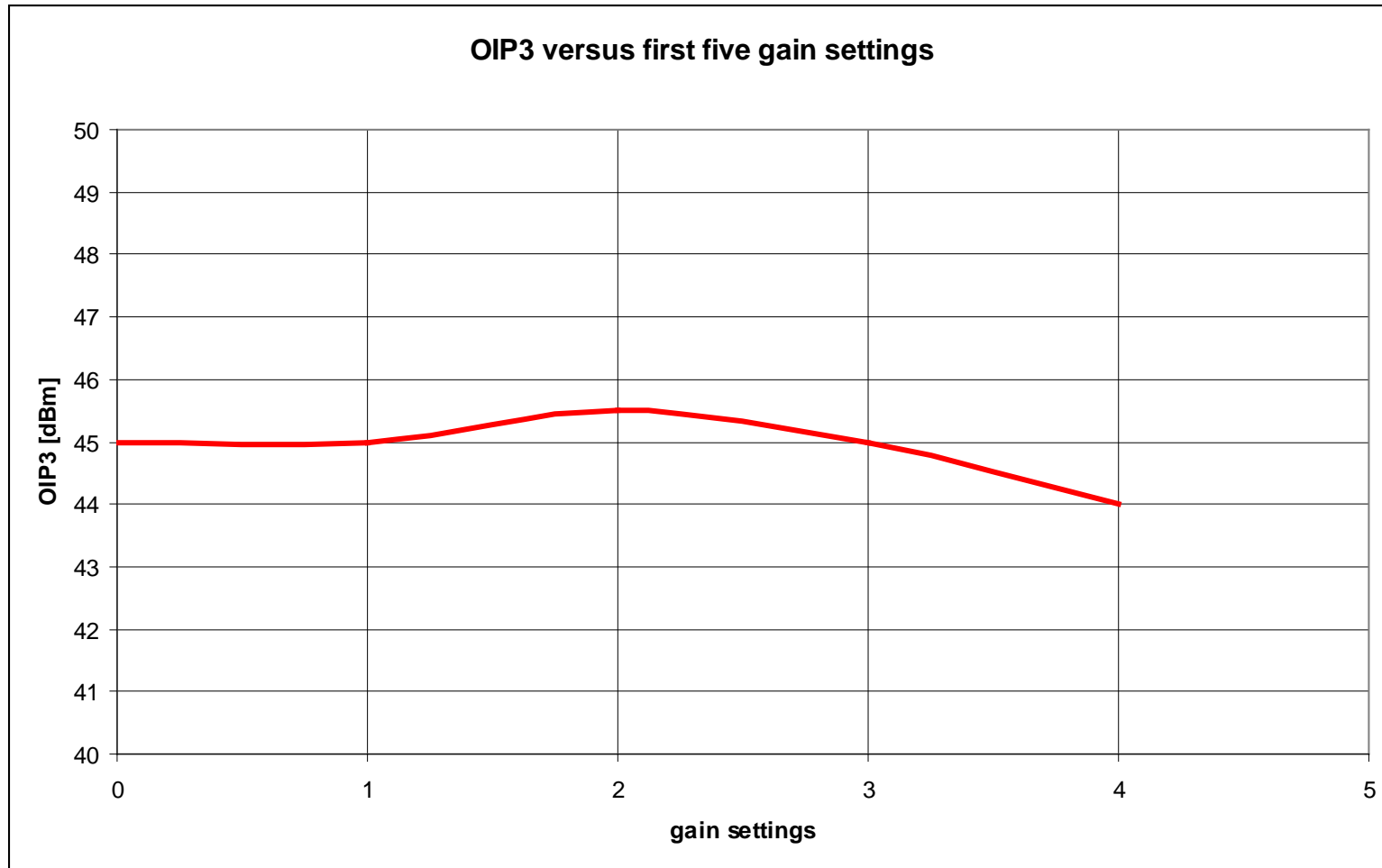
11.6.8 Harmonic Distortion (HD2) versus gain steps



Note: Pout=+5 dBm for every gain step

Freq\_in=86 MHz

11.6.9 OIP3 over first 5 gain steps



**Note:** Pout per tone =+2 dBm  
Freq1=170 MHz ; Freq2= 172 MHz



11.6.10 Summary of the gain errors

Measurement	Unit	Value	Conditions
Temperature	C	25 deg	
Power supply voltage	V	5	Definition (incl cable loss)
Power supply current	mA	119.7	Maximum supply current for all gain steps
Standby current	mA	2.45	Maximum standby current (for all gain steps)
Absolute gain	dB	18.50	Gain measured at F=170MHz, including transformer losses
Differential gain error per 1dB consecutive steps	dB	0.10	Measured at F=170MHz
Integrated gain error upper 12dB	dB	0.04	Measured at F=170MHz
Integrated gain error full range	dB	-0.28	Measured at F=170MHz
Gain flatness over 30MHz bandwidth at maximum gain	dB	0.04	pk-pk over 30MHz bandwidth at gain=0
Gain flatness over 30MHz bandwidth at minimum gain	dB	0.14	pk-pk over 30MHz bandwidth at gain=24
Maximum gain flatness over 30MHz	dB	0.04	Maximum flatness over 30MHz for all gain steps
Minimum gain flatness over 30MHz	dB	0.16	Minimum flatness over 30MHz for all gain steps

11.6.11 Isolation (between channel A and channel B)

Gain settings @170 MHz	isolation [dB]
min	-59.8
max	-60

Measured @Pout=5dBm for both min and max gain

11.6.12 Impedance summary

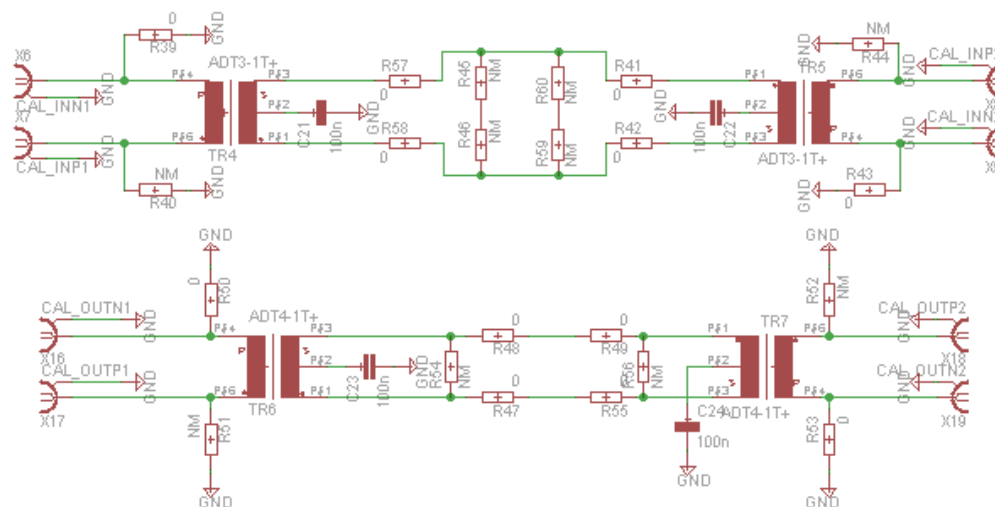
Measurement	Unit	Value	Conditions
Maximum input impedance (BW=30 all gainsteps)	Ohm	54.5	Maximum absolute value measured over 30MHz bandwidth, for all gain steps
Minimum input impedance (BW=30 all gainsteps)	Ohm	42.6	Minimum absolute value measured over 30MHz bandwidth, for all gain steps
Maximum output impedance (BW=30 all gainsteps)	Ohm	57.8	Maximum absolute value measured over 30MHz bandwidth, for all gain steps
Minimum output impedance (BW=30 all gainsteps)	Ohm	47.0	Minimum absolute value measured over 30MHz bandwidth, for all gain steps
Maximum input impedance (BW=30 all gainsteps)	Ohm	54.5	Maximum real value measured over 30MHz bandwidth, for all gain steps
Minimum input impedance (BW=30 all gainsteps)	Ohm	42.6	Minimum real value measured over 30MHz bandwidth, for all gain steps
Maximum output impedance (BW=30 all gainsteps)	Ohm	53.7	Maximum real value measured over 30MHz bandwidth, for all gain steps
Minimum output impedance (BW=30 all gainsteps)	Ohm	46.0	Minimum real value measured over 30MHz bandwidth, for all gain steps

## 12. Balun Characterization

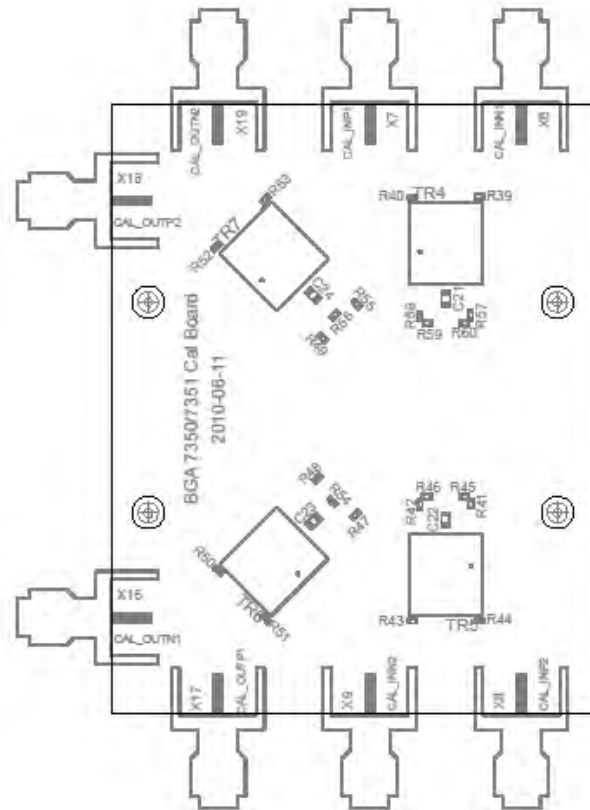
In order to determine the BGA7350 performance only, the input-and output balun characteristics (losses) must be determined for correction. This has been done by measuring the baluns (both input and output) back-to-back, and assuming that both transformers are identical, the measured losses can be divided by two, to determine the losses per balun.

The measurements have been performed on the (calibration) boards, as described below)

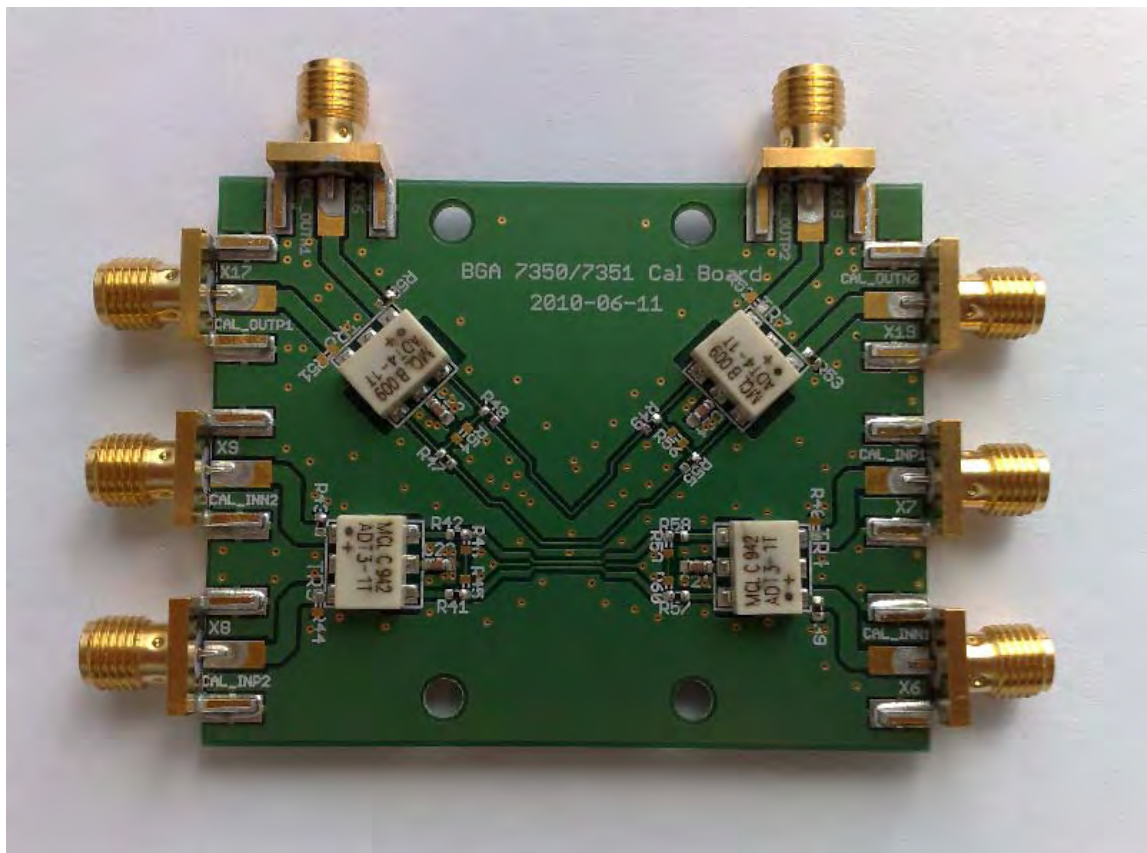
### 12.1 Calibration EVB schematics



### 12.2 Calibration EVB layout



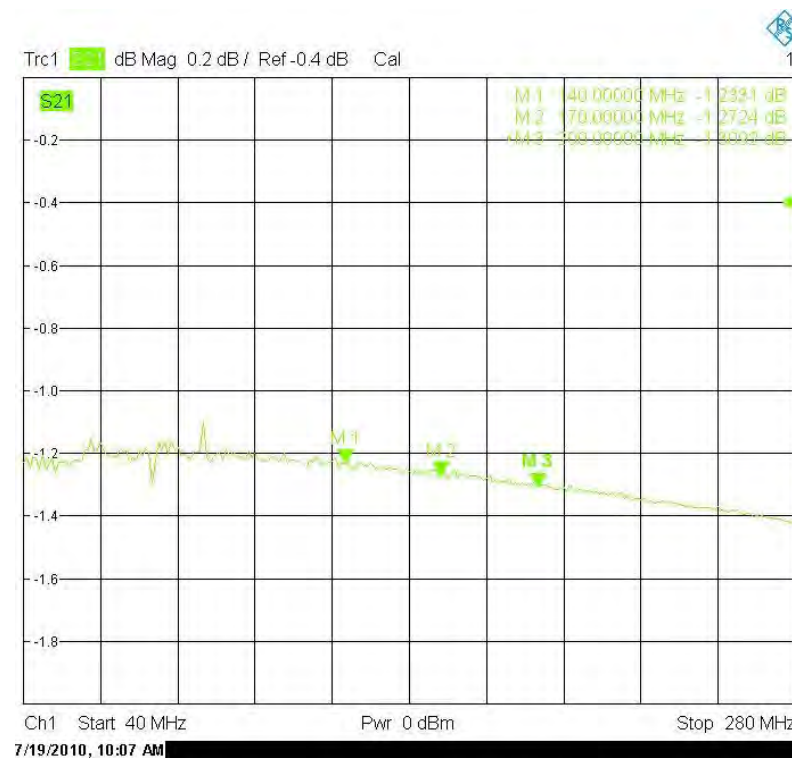
## 12.3 Calibration EVB picture



12.4 Calibration measurement results



Input Balun, back-to-back



Output Balun, back-to-back

The losses of the input balun is about 0.55 dB

The losses of the output balun is about 0.6 dB

## 13. Legal information

### 13.1 Definitions

**Draft** — The document is a draft version only. The content is still under internal review and subject to formal approval, which may result in modifications or additions. NXP Semiconductors does not give any representations or warranties as to the accuracy or completeness of information included herein and shall have no liability for the consequences of use of such information.

### 13.2 Disclaimers

**Limited warranty and liability** — Information in this document is believed to be accurate and reliable. However, NXP Semiconductors does not give any representations or warranties, expressed or implied, as to the accuracy or completeness of such information and shall have no liability for the consequences of use of such information.

In no event shall NXP Semiconductors be liable for any indirect, incidental, punitive, special or consequential damages (including - without limitation - lost profits, lost savings, business interruption, costs related to the removal or replacement of any products or rework charges) whether or not such damages are based on tort (including negligence), warranty, breach of contract or any other legal theory.

Notwithstanding any damages that customer might incur for any reason whatsoever, NXP Semiconductors' aggregate and cumulative liability towards customer for the products described herein shall be limited in accordance with the Terms and conditions of commercial sale of NXP Semiconductors.

**Right to make changes** — NXP Semiconductors reserves the right to make changes to information published in this document, including without limitation specifications and product descriptions, at any time and without notice. This document supersedes and replaces all information supplied prior to the publication hereof.

**Suitability for use** — NXP Semiconductors products are not designed, authorized or warranted to be suitable for use in life support, life-critical or safety-critical systems or equipment, nor in applications where failure or malfunction of an NXP Semiconductors product can reasonably be expected to result in personal injury, death or severe property or environmental damage. NXP Semiconductors accepts no liability for inclusion and/or use of NXP Semiconductors products in such equipment or applications and therefore such inclusion and/or use is at the customer's own risk.

**Applications** — Applications that are described herein for any of these products are for illustrative purposes only. NXP Semiconductors makes no representation or warranty that such applications will be suitable for the specified use without further testing or modification.

Customers are responsible for the design and operation of their applications and products using NXP Semiconductors products, and NXP Semiconductors accepts no liability for any assistance with applications or customer product design. It is customer's sole responsibility to determine whether the NXP Semiconductors product is suitable and fit for the customer's applications and products planned, as well as for the planned application and use of customer's third party customer(s). Customers should provide appropriate design and operating safeguards to minimize the risks associated with their applications and products.

NXP Semiconductors does not accept any liability related to any default, damage, costs or problem which is based on any weakness or default in the customer's applications or products, or the application or use by customer's third party customer(s). Customer is responsible for doing all necessary testing for the customer's applications and products using NXP Semiconductors products in order to avoid a default of the applications and the products or of the application or use by customer's third party customer(s). NXP does not accept any liability in this respect.

**Export control** — This document as well as the item(s) described herein may be subject to export control regulations. Export might require a prior authorization from competent authorities.

**Evaluation products** — This product is provided on an "as is" and "with all faults" basis for evaluation purposes only. NXP Semiconductors, its affiliates and their suppliers expressly disclaim all warranties, whether express, implied or statutory, including but not limited to the implied warranties of non-infringement, merchantability and fitness for a particular purpose. The entire risk as to the quality, or arising out of the use or performance, of this product remains with customer.

In no event shall NXP Semiconductors, its affiliates or their suppliers be liable to customer for any special, indirect, consequential, punitive or incidental damages (including without limitation damages for loss of business, business interruption, loss of use, loss of data or information, and the like) arising out of the use of or inability to use the product, whether or not based on tort (including negligence), strict liability, breach of contract, breach of warranty or any other theory, even if advised of the possibility of such damages.

Notwithstanding any damages that customer might incur for any reason whatsoever (including without limitation, all damages referenced above and all direct or general damages), the entire liability of NXP Semiconductors, its affiliates and their suppliers and customer's exclusive remedy for all of the foregoing shall be limited to actual damages incurred by customer based on reasonable reliance up to the greater of the amount actually paid by customer for the product or five dollars (US\$5.00). The foregoing limitations, exclusions and disclaimers shall apply to the maximum extent permitted by applicable law, even if any remedy fails of its essential purpose.

### 13.3 Licenses

#### Purchase of NXP <xxx> components

<License statement text>

### 13.4 Patents

Notice is herewith given that the subject device uses one or more of the following patents and that each of these patents may have corresponding patents in other jurisdictions.

<Patent ID> — owned by <Company name>

### 13.5 Trademarks

Notice: All referenced brands, product names, service names and trademarks are property of their respective owners.

<Name> — is a trademark of NXP B.V.

## 14. Contents

<b>1.</b>	<b>Introduction .....</b>	<b>3</b>	11.6.10	Summary of the gain errors.....	33
<b>2.</b>	<b>Product Profile.....</b>	<b>4</b>	11.6.11	Isolation (between channel A and channel B) ..	33
2.1	General description .....	4	11.6.12	Impedance summary .....	33
2.2	Features and benefits .....	4	<b>12.</b>	<b>Balun Characterization.....</b>	<b>34</b>
2.3	Applications.....	4	12.1	Calibration EVB schematics .....	34
<b>3.</b>	<b>Pinning information .....</b>	<b>5</b>	12.2	Calibration EVB layout.....	35
3.1	Pin description.....	6	12.3	Calibration EVB picture .....	36
<b>4.</b>	<b>Functional Diagram .....</b>	<b>7</b>	12.4	Calibration measurement results.....	37
<b>5.</b>	<b>Gain control Range .....</b>	<b>8</b>	<b>13.</b>	<b>Legal information .....</b>	<b>38</b>
<b>6.</b>	<b>EVB circuit diagram .....</b>	<b>9</b>	13.1	Definitions.....	38
<b>7.</b>	<b>Evaluation Board top layout.....</b>	<b>10</b>	13.2	Disclaimers.....	38
<b>8.</b>	<b>Evaluation board bottom layout.....</b>	<b>11</b>	13.3	Licenses .....	38
<b>9.</b>	<b>Bill of Materials (BOM).....</b>	<b>12</b>	13.4	Patents .....	38
<b>10.</b>	<b>Operation of the BGA7350 EVB .....</b>	<b>14</b>	13.5	Trademarks .....	38
10.1	Applying bias.....	14	<b>14.</b>	<b>Contents .....</b>	<b>39</b>
10.2	Mode of operation .....	15			
10.2.1	Manual mode. ....	15			
10.3	Mode of operation .....	16			
10.3.1	Manual mode. ....	16			
10.3.2	'Automatic' mode.....	17			
<b>11.</b>	<b>Measurements .....</b>	<b>18</b>			
11.1	Measurement definitions .....	19			
11.1.1	Differential input and output impedance .....	19			
11.1.2	Absolute gain accuracy .....	19			
11.1.3	Gain flatness .....	19			
11.1.4	Differential gain errors.....	19			
11.1.5	Differential phase errors.....	19			
11.1.6	OIP3.....	20			
11.1.7	H2 .....	20			
11.2	S-parameter measurements.....	21			
11.3	Harmonic measurements.....	21			
11.4	Noise Figure measurements .....	22			
11.5	Timing Measurement. ....	22			
11.6	Measurement results.....	23			
11.6.1	Gain as function of frequency and attenuator range.....	24			
11.6.2	S-parameters; S12 .....	25			
11.6.3	S-parameters; S11 .....	26			
11.6.4	S-parameters; S22 .....	27			
11.6.5	P1dB over first 5 gain steps .....	28			
11.6.6	Gain Flatness @maximum gain .....	29			
11.6.7	Noise Figure versus gain settings .....	30			
11.6.8	Harmonic Distortion (HD2) versus gain steps ..	31			
11.6.9	OIP3 over first 5 gain steps.....	32			

Please be aware that important notices concerning this document and the product(s) described herein, have been included in the section 'Legal information'.