

# 56F827

## Evaluation Module User Manual

**56F800**  
**16-bit Digital Signal Controllers**

DSP56F827EVMUM  
Rev. 2  
07/2005

[freescale.com](http://freescale.com)



# TABLE OF CONTENTS

## Preface vii

Audience .....	vii
Organization .....	vii
Suggested Reading .....	vii
Notation Conventions .....	viii
Definitions, Acronyms, and Abbreviations .....	ix
References .....	x

## Chapter 1 Introduction

1.1	56F827EVM Architecture .....	1-1
1.2	56F827EVM Configuration Jumpers .....	1-2
1.3	56F827EVM Connections .....	1-3

## Chapter 2 Technical Summary

2.1	56F827 .....	2-2
2.2	Program and Data Memory .....	2-3
2.3	SPI EEPROM Memory .....	2-4
2.4	RS-232 Serial Communications .....	2-5
2.5	Clock Source .....	2-6
2.6	Operating Mode .....	2-7
2.7	Debug LEDs .....	2-8
2.8	Debug Support .....	2-8
2.8.1	JTAG Connector .....	2-9
2.8.2	Parallel JTAG Interface Connector .....	2-10
2.9	External Interrupts .....	2-12
2.10	Reset .....	2-13
2.11	Power Supply .....	2-14
2.12	Stereo Codec .....	2-14
2.12.1	Analog Input/Output .....	2-16
2.12.2	Digital Interface .....	2-16
2.13	Daughter Card Connectors .....	2-17
2.13.1	Memory Daughter Card Expansion Connector .....	2-17
2.13.2	Peripheral Daughter Card Expansion Connector .....	2-18

2.14	SCI Port #2 .....	2-20
2.15	Test Points .....	2-20

**Appendix A**  
**56F827EVM Schematics**

**Appendix B**  
**56F827EVM Bill of Material**

# LIST OF FIGURES

1-1	Block Diagram of the 56F827EVM . . . . .	1-2
1-2	56F827EVM Jumper Reference . . . . .	1-3
1-3	Connecting the 56F827EVM Cables . . . . .	1-4
2-1	Schematic Diagram of the External Memory Interface . . . . .	2-3
2-2	SPI EEPROM Memory Block Diagram . . . . .	2-4
2-3	Schematic Diagram of the RS-232 Interface . . . . .	2-5
2-4	Schematic Diagram of the Clock Interface . . . . .	2-6
2-5	Schematic Diagram of the Debug LED Interface . . . . .	2-8
2-6	Block Diagram of the Parallel JTAG Interface . . . . .	2-10
2-7	Schematic Diagram of the User Interrupt Interface . . . . .	2-12
2-8	Schematic Diagram of the RESET Interface . . . . .	2-13
2-9	Schematic Diagram of the Power Supply . . . . .	2-14
2-10	Codec Analog Connections . . . . .	2-15
2-11	CS4218 Stereo Audio Codec . . . . .	2-16



# LIST OF TABLES

1-1	56F827EVM Default Jumper Options . . . . .	1-3
2-1	SPI Port Connector Description . . . . .	2-4
2-2	RS-232 Serial Connector Description . . . . .	2-5
2-3	Operating Mode Selection . . . . .	2-7
2-4	JTAG Connector Description . . . . .	2-9
2-5	Parallel JTAG Interface Disable Jumper Selection . . . . .	2-9
2-6	Parallel JTAG Interface Connector Description . . . . .	2-11
2-7	Codec Sample Rate Selector . . . . .	2-15
2-8	Memory Daughter Card Connector Description . . . . .	2-17
2-9	Peripheral Daughter Card Connector Description . . . . .	2-19
2-10	SCI Port #2 Connector . . . . .	2-20





# Preface

This reference manual describes in detail the hardware on the 56F827 Evaluation Module.

## Audience

This document is intended for application developers who are creating software for devices using the 56F827 part.

## Organization

This manual is organized into two chapters and two appendixes.

- **Chapter 1, Introduction** - provides an overview of the EVM and its features.
- **Chapter 2, Technical Summary** - describes in detail the 56F827 hardware.
- **Appendix A, "56F827EVM Schematics"** contains the schematics of the DSP56F827EVM.
- **Appendix B, 56F827EVM Bill of Material** - provides a list of the materials used on the DSP56F827EVM board.

## Suggested Reading

More documentation on the 56F827 and the DSP56F827EVM kit may be found at URL:

**[www.freescale.com](http://www.freescale.com)**

# Notation Conventions

This manual uses the following notational conventions:

Term or Value	Symbol	Examples	Exceptions
Active High Signals (Logic One)	No special symbol attached to the signal name	A0 CLKO	
Active Low Signals (Logic Zero)	Noted with an overbar in text and in most figures	$\overline{WE}$ OE	In schematic drawings, Active Low Signals may be noted by a backslash: /WE
Hexadecimal Values	Begin with a "\$" symbol	\$0FF0 \$80	
Decimal Values	No special symbol attached to the number	10 34	
Binary Values	Begin with the letter "b" attached to the number	b1010 b0011	
Numbers	Considered positive unless specifically noted as a negative value	5 -10	Voltage is often shown as positive: +3.3V
Blue Text	Linkable on-line	...refer to <b>Figure 1-1</b>	
Bold	Reference sources, paths, emphasis	...see: <b><a href="http://www.freescale.com/">http://www.freescale.com/...</a></b>	

## Definitions, Acronyms, and Abbreviations

Definitions, acronyms and abbreviations for terms used in this document are defined below for reference.

<b>Codec</b>	COder/DECoder; a part used to convert analog signals to digital (Coder) and digital signals to analog (Decoder)
<b>EEPROM</b>	Electrically Erasable Programmable Read Only Memory
<b>EVM</b>	Evaluation Module; a hardware platform which allows a customer to evaluate the silicon and develop their application
<b>GPIO</b>	General Purpose Input and Output Port; does not share pin functionality with any other peripheral on the chip and can only be set as an input, output or level-sensitive interrupt input
<b>IC</b>	Integrated Circuit
<b>JTAG</b>	Joint Test Action Group; a bus protocol/interface used for test and debug
<b>LQFP</b>	Low-profile Quad Flat Pack
<b>MPIO</b>	Multi-Purpose Input/Output Port; shares package pins with other peripherals on the chip and can function as a GPIO
<b>OnCE™</b>	On-Chip Emulation, a debug bus and port created by Freescale to enable designers to create a low-cost hardware interface for a professional quality debug environment
<b>PCB</b>	Printed Circuit Board
<b>PLL</b>	Phase Locked Loop
<b>RAM</b>	Random Access Memory
<b>ROM</b>	Read-Only Memory
<b>SCI</b>	Serial Communications Interface Port
<b>SPI</b>	Serial Peripheral Interface Port
<b>SRAM</b>	Static Random Access Memory
<b>SSI</b>	Synchronous Serial Interface Port
<b>WS</b>	Wait State

## References

The following sources were referenced to produce this manual:

- [1] *DSP56800 Family Manual*, DSP56800FM, Freescale Semiconductor
- [2] *DSP56F826/827 Digital Signal Processor User's Manual*, DSP56F826\_827UM, Freescale Semiconductor
- [3] *DSP56F827 Technical Data*, DSP56F827, Freescale Semiconductor

# Chapter 1

## Introduction

The 56F827EVM is used to demonstrate the abilities of the 56F827 and to provide a hardware tool allowing the development of applications that use the 56F827.

The 56F827EVM is an evaluation module board that includes a 56F827 part, 16-bit stereo codec, external memory and a daughter card expansion interface. The daughter card expansion connectors are for signal monitoring and user feature expandability.

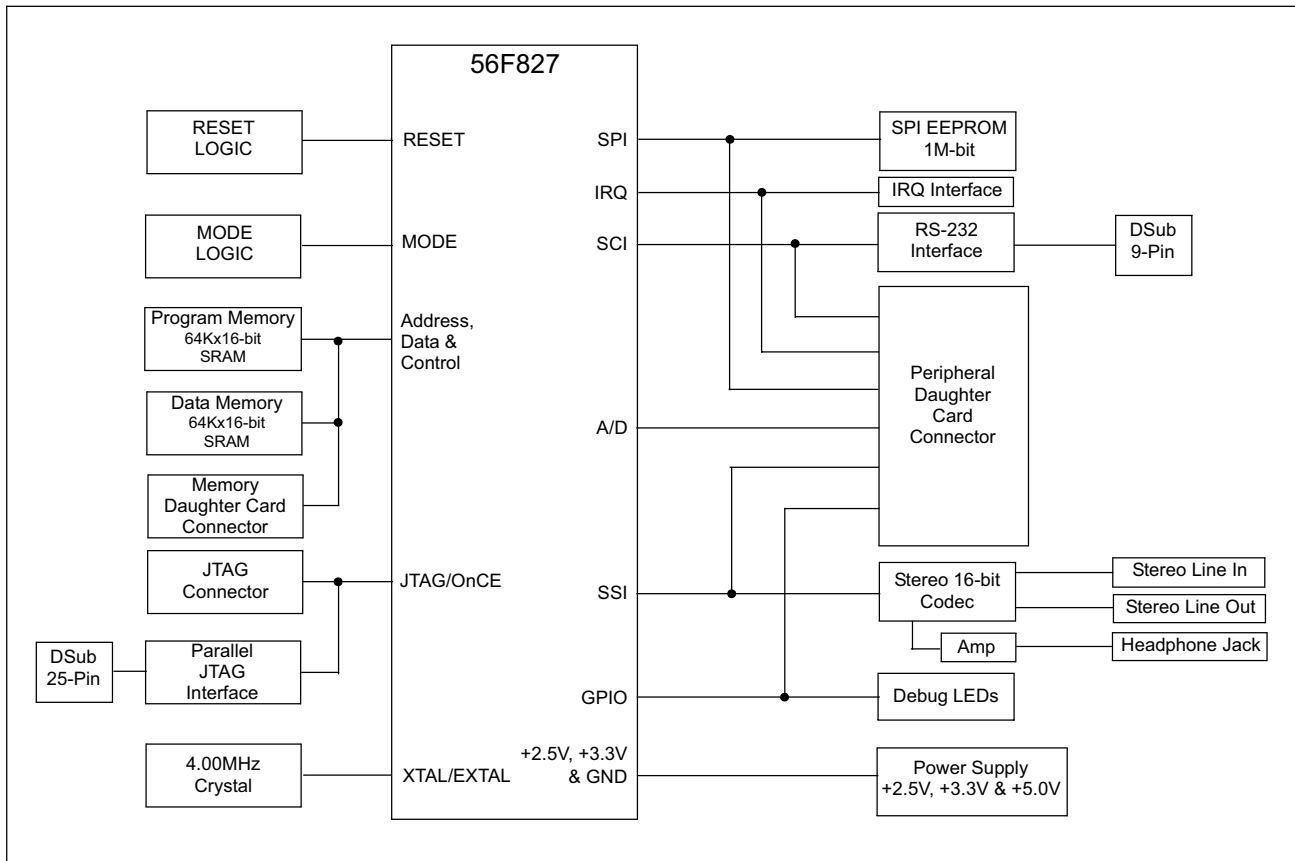
The 56F827EVM is designed for the following purposes:

- Allowing new users to become familiar with the features of the 56800 architecture. The tools and examples provided with the 56F827EVM facilitate evaluation of the feature set and the benefits of the family.
- Serving as a platform for real-time software development. The tool suite enables the user to develop and simulate routines, download the software to on-chip or on-board RAM, run it, and debug it using a debugger via the JTAG/OnCE™ port. The breakpoint features of the OnCE port enable the user to easily specify complex break conditions and to execute user-developed software at full-speed, until the break conditions are satisfied. The ability to examine and modify all user accessible registers, memory and peripherals through the OnCE port greatly facilitates the task of the developer.
- Serving as a platform for hardware development. The hardware platform enables the user to connect external hardware peripherals. The on-board peripherals can be disabled, providing the user with the ability to reassign any and all of the controller's peripherals. The OnCE port's unobtrusive design means that all of the memory on the board and on the controller chip are available to the user.

### 1.1 56F827EVM Architecture

The 56F827EVM facilitates the evaluation of various features present in the 56F827 part. The 56F827EVM can be used to develop real-time software and hardware products based

on the 56F827. The 56F827EVM provides the features necessary for a user to write and debug software, demonstrate the functionality of that software and interface with the customer's application-specific device(s). The 56F827EVM is flexible enough to allow a user to fully exploit the 56F827's features to optimize the performance of his product, as shown in **Figure 1-1**.



**Figure 1-1. Block Diagram of the 56F827EVM**

## 1.2 56F827EVM Configuration Jumpers

Seven jumper groups, (JG1-JG7), shown in **Figure 1-2**, are used to configure various features on the 56F827EVM board. **Table 1-1** describes the default jumper group settings.

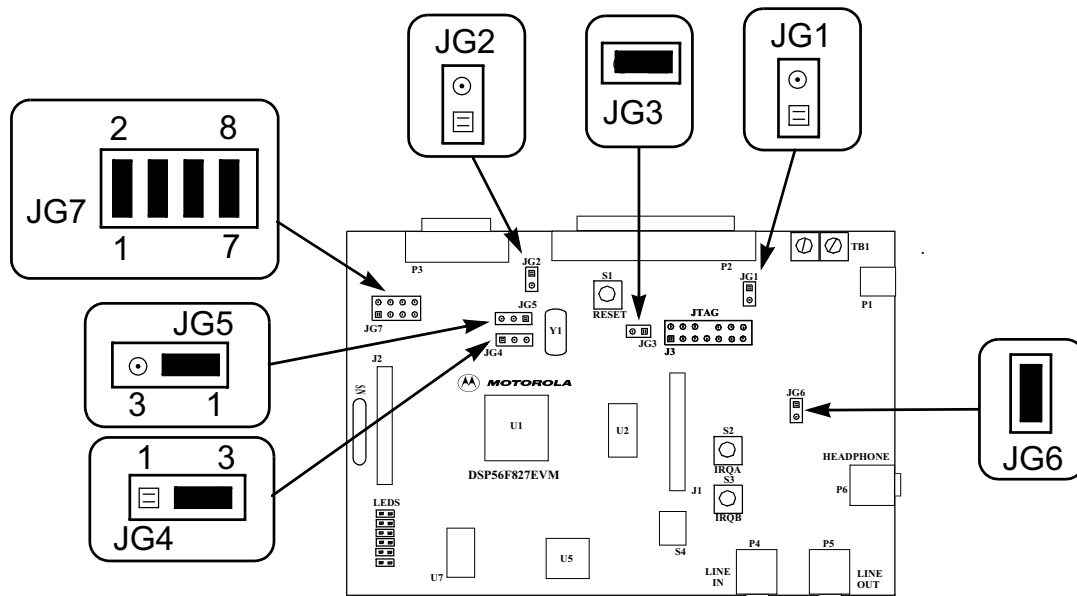


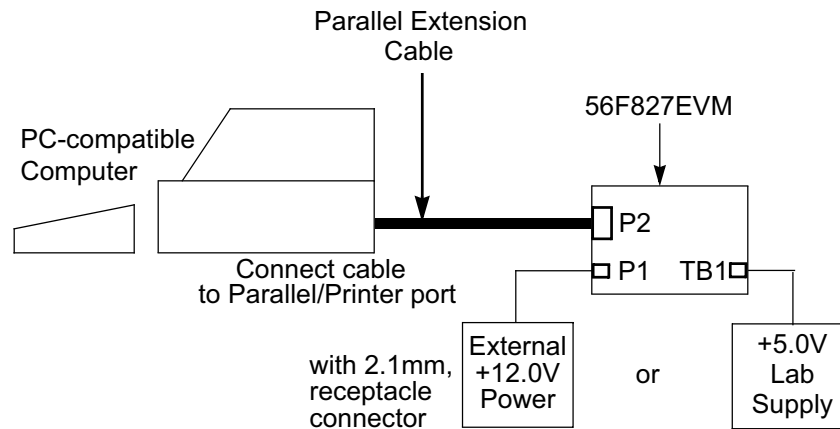
Figure 1-2. 56F827EVM Jumper Reference

Table 1-1. 56F827EVM Default Jumper Options

Jumper Group	Comment	Jumpers Connections
JG1	Enable on-board Parallel JTAG Host/Target Interface	NC
JG2	Enable RS-232 output	NC
JG3	Enable on-board SRAM	1-2
JG4	Use on-board EXTAL crystal input for controller oscillator	2-3
JG5	Use on-board XTAL crystal input for controller oscillator	1-2
JG6	Selects controller's Mode 0 operation upon exit from reset	1-2
JG7	Enable SPI EEPROM	1-2, 3-4, 5-6 & 7-8

### 1.3 56F827EVM Connections

An interconnection diagram is shown in [Figure 1-3](#) for connecting the PC and the external +12.0V DC power supply or external +5.0V DC lab power supply to the 56F827EVM board.



**Figure 1-3. Connecting the 56F827EVM Cables**

Perform the following steps to connect the 56F827EVM cables:

1. Connect the parallel extension cable to the parallel port of the host computer.
2. Connect the other end of the parallel extension cable to P2, shown in [Figure 1-3](#), on the 56F827EVM board. This provides the connection which allows the host computer to control the board.
3. Make sure that the external +12.0V DC 1.2A switching power supply or the external +5.0V DC 1.0A lab power supply is not plugged into a 120V AC power source.
4. Connect the 2.1mm output power plug from the external switching power supply into P1, shown in [Figure 1-3](#), on the 56F827EVM board. Optionally, attach an external +5.0V DC lab power supply via the 2-pin terminal block, TB1.
5. Apply power to the external power supply. The green Power-On LED, LED7, will illuminate when power is correctly applied.



## Chapter 2

# Technical Summary

The 56F827EVM is designed as a versatile controller development card for developing real-time software and hardware products to support a new generation of applications in digital and wireless messaging, digital answering machines, feature phones, modems, and digital cameras. The power of the 16-bit 56F827 controller, combined with the on-board 64K × 16-bit external program static RAM (SRAM), 64K × 16-bit external data SRAM, RS-232 interface, stereo 16-bit codec interface, Daughter Card Expansion interface and parallel JTAG interface, makes the 56F827EVM ideal for developing and implementing many audio and voice algorithms, as well as for learning the architecture and instruction set of the 56F827 processor.

The main features of the 56F827EVM, with board and schematic reference designators include:

- 56F827 16-bit +2.5V/+3.3V controller operating at 80MHz [U1]
- External fast static RAM (FSRAM) memory [U2], configured as:
  - 64K×16 bits of program memory with 0 wait states at 70MHz
  - 64K×16 bits of data memory with 0 wait states at 70MHz
- 1M-bit Serial EEPROM [U4]
- 4.00MHz crystal oscillator for controller frequency generation [Y1]
- Optional external oscillator frequency input connector [JG4 and JG5]
- Joint Test Action Group (JTAG) port interface connector for an external debug Host Target Interface [J3]
- On-board Parallel JTAG Host Target Interface, with a connector for a PC printer port cable [P2]
- RS-232 interface for easy connection to a host processor [U3 and P3]
- 16-bit stereo codec interface [U5, P4 and P5]
- Stereo headphone interface [U6 and P6]

- Codec sample rate selector [S4]
- Peripheral Daughter Card Expansion Connector, to allow the user to connect his own SCI, SSI, SPI or GPIO-compatible peripheral to the controller[J2]
- Memory Daughter Card Expansion Connector, to allow the user to connect his own memory or memory device to the controller[J1]
- On-board power regulation from an external +12V DC-supplied power input [P1]
- On-board power regulation from an optional +5V DC-supplied power input [TB1]
- Light Emitting Diode (LED) power indicator [LED7]
- Six on-board real-time user debugging LEDs [LED1-6]
- Manual RESET push-button [S1]
- Manual interrupt push-button for  $\overline{\text{IRQA}}$  [S2]
- Manual interrupt push-button for  $\overline{\text{IRQB}}$  [S3]

## 2.1 56F827

The 56F827EVM uses a Freescale DSP56F827FG80 part, designated as U1 on the board and in the schematics. This part will operate at a maximum speed of 80MHz. A full description of the 56F827, including functionality and user information, is provided in these documents:

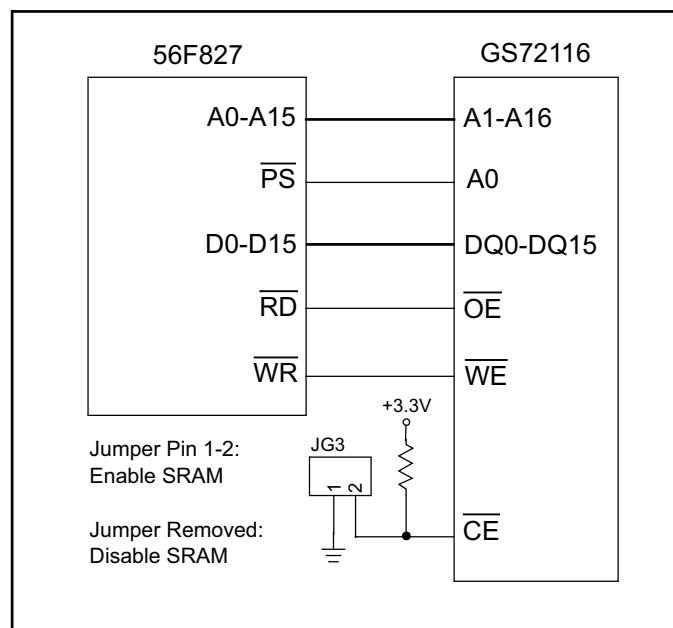
- *DSP56F827 Technical Data, (DSP56F827)*: Provides features list and specifications including signal descriptions, DC power requirements, AC timing requirements and available packaging.
- *DSP56F826/827 16-Bit Digital Signal Processor User's Manual, (DSP56F826\_827UM)*: Provides an overview description of the controller and detailed information about the on-chip components including the memory and I/O maps, peripheral functionality, and control/status register descriptions for each subsystem.
- *DSP56800 Family Manual, (DSP56800FM)*: Provides a detailed description of the core processor, including internal status and control registers and a detailed description of the family instruction set.

Refer to these documents for detailed information about chip functionality and operation. They can be found on this URL:

**[www.freescale.com](http://www.freescale.com)**

## 2.2 Program and Data Memory

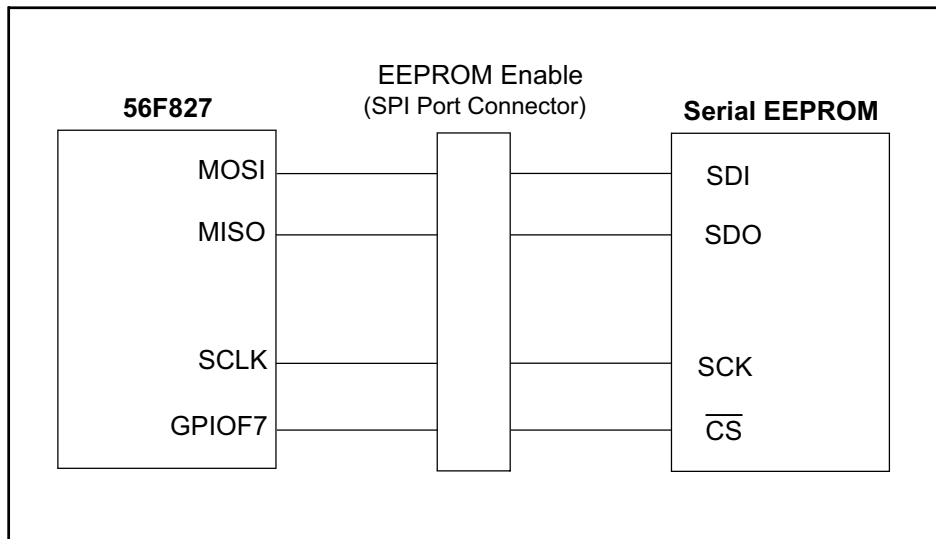
The 56F827EVM uses one bank of 128K×16-bit Fast Static RAM (GSI GS72116, labelled U2) for external memory expansion; see the FSRAM schematic diagram in **Figure 2-1**. This physical memory bank is split into two logical memory banks of 64K×16-bits: one for program memory and the other for data memory. By using the controller's program strobe,  $\overline{PS}$ , signal line along with the memory chip's A0 signal line, half of the memory chip is selected when program memory accesses are requested and the other half of the memory chip is selected when data memory access are requested. This memory bank will operate with zero wait-state accesses while the 56F827 is running at 70MHz. However, when running at 80MHz, the memory bank operates with four wait-state accesses. This memory bank can be disabled by removing the jumper at JG3.



**Figure 2-1. Schematic Diagram of the External Memory Interface**

## 2.3 SPI EEPROM Memory

A 1M-bit +3.3V SPI serial EEPROM Memory, Atmel AT45DB011-SC, is provided on the 56F827EVM, reference [Figure 2-2](#). This memory connects directly to the SPI Port through a header on the 56F827. It can be used to load program code and data into the 56F827's internal or external memory spaces. A jumper block is provided, JG7, to allow the user to disconnect the on-board SPI EEPROM from the SPI port and allow him to connect his own SPI port peripheral. The header details are shown in [Table 2-1](#).



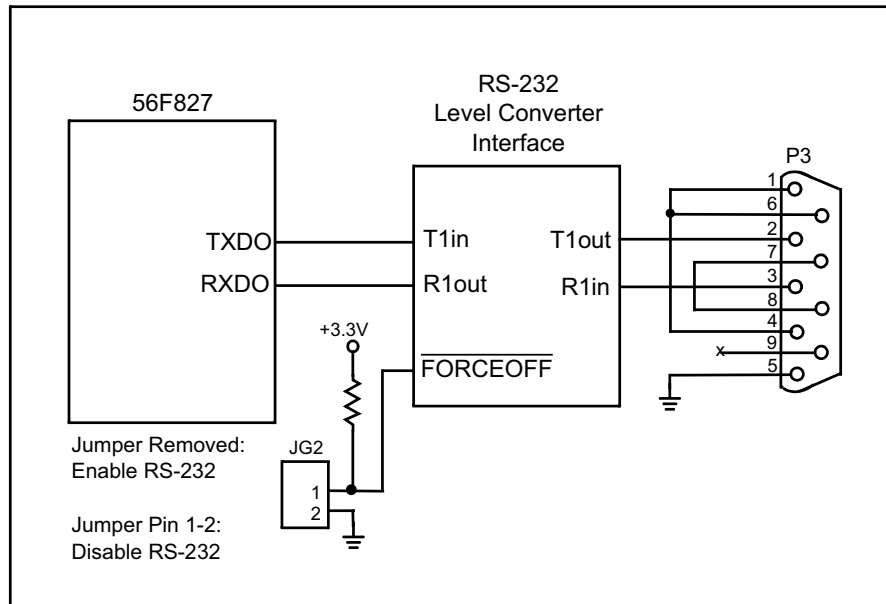
**Figure 2-2. SPI EEPROM Memory Block Diagram**

**Table 2-1. SPI Port Connector Description**

JG7			
Pin #	Signal	Pin #	Signal
1	SS/GPIO7	2	$\overline{\text{CS}}$
3	MISO	4	SDO
5	MOSI	6	SDI
7	SCLK	8	SCK

## 2.4 RS-232 Serial Communications

The 56F827EVM provides an RS-232 interface by the use of an RS-232 level converter, (Maxim MAX3245EEAI, designated as U3). Refer to the RS-232 schematic diagram in **Figure 2-3**. The RS-232 level converter transitions the SCI UART's +3.3V signal levels to RS-232 compatible signal levels and connects to the host's serial port via connector P3. Flow control is not provided, but could be implemented using uncommitted GPIO signals. The pinout of connector P3 is listed in **Table 2-2**. The RS-232 level converter/transceiver can be disabled by placing a jumper at JG2.



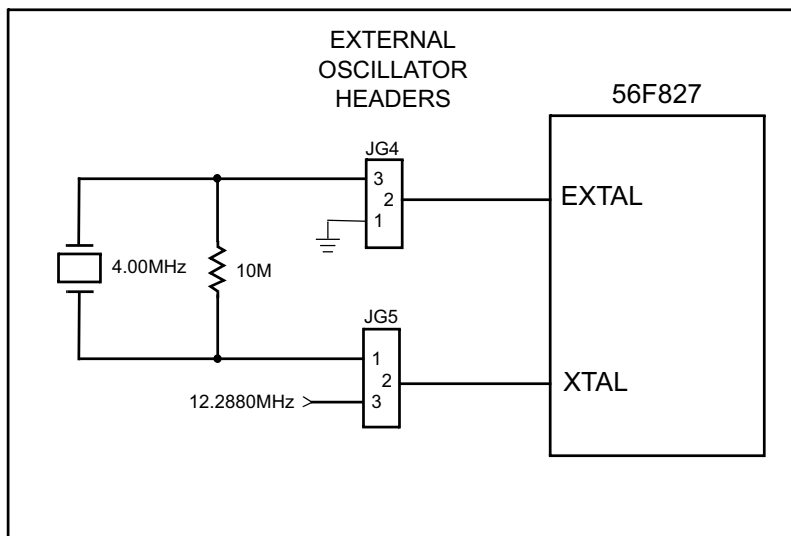
**Figure 2-3. Schematic Diagram of the RS-232 Interface**

**Table 2-2. RS-232 Serial Connector Description**

P3			
Pin #	Signal	Pin #	Signal
1	Jumper to 6 & 4	6	Jumper to 1 & 4
2	TXD	7	Jumper to 8
3	RXD	8	Jumper to 7
4	Jumper to 1 & 6	9	N/C
5	GND		

## 2.5 Clock Source

The 56F827EVM uses a 4.00MHz crystal, Y1, connected to its External Crystal Inputs, EXTAL and XTAL. The 56F827 uses its internal PLL to multiply the input frequency by 20, achieving its 80MHz maximum operating frequency. An external oscillator source can be connected to the controller by using the oscillator bypass connectors, JG4 and JG5; see [Figure 2-4](#). If the input frequency is above 4MHz, then the EXTAL input should be jumpered to ground by adding a jumper between JG4 pins 2 and 3. The input frequency would then be injected on JG5's pin 2. If the controller needs to be synchronized to the codec's sample frequency, then the controller's input frequency should be jumpered using the 12.2880MHz codec frequency. If the input frequency is below 4MHz, then the input frequency can be injected on JG4's pin 2.



**Figure 2-4. Schematic Diagram of the Clock Interface**

## 2.6 Operating Mode

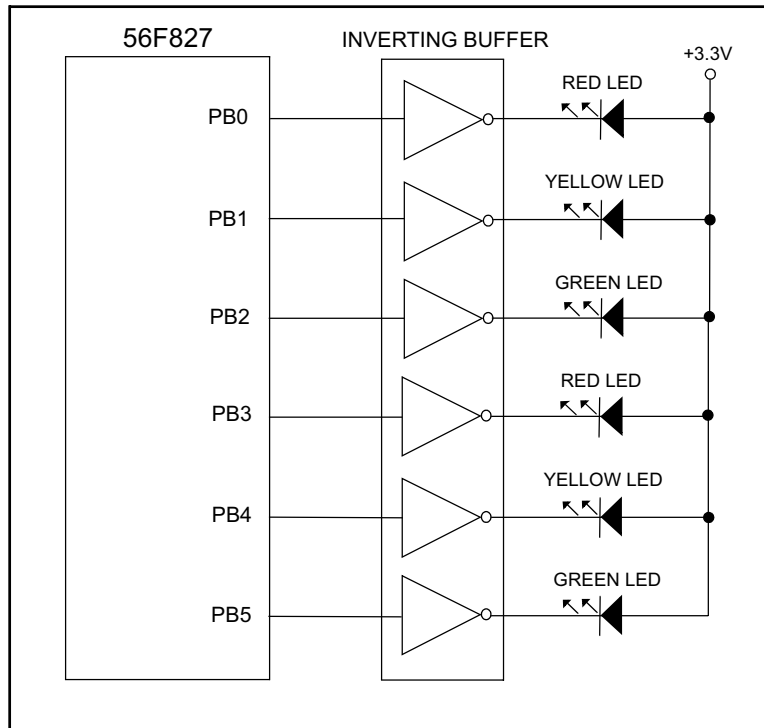
The 56F827EVM provides a boot-up MODE selection jumper, JG6. This jumper is used to select the operating mode of the controller as it exits RESET. Refer to the DSP56F827 User's Manual for a complete description of the chip's operating modes. [Table 2-3](#) shows the two operation modes available on the 56F827.

**Table 2-3. Operating Mode Selection**

Operating Mode	JG6	Comment
0	1–2	Bootstrap from internal memory
3	No Jumper	Bootstrap from external memory

## 2.7 Debug LEDs

Six on-board Light-Emitting Diodes, (LEDs), are provided to allow real-time debugging for user programs. These LEDs will allow the programmer to monitor program execution without having to stop the program during debugging; refer to [Figure 2-5](#). User LED1 is controlled by Port B's PB0 signal. User LED2 is controlled by PB1. User LED3 is controlled by PB2. User LED4 is controlled by PB3. User LED5 is controlled by PB4. User LED6 is controlled by PB5. Setting PB0, PB1, PB2, PB3, PB4 or PB5 to a Logic One value will turn on the associated LED.



**Figure 2-5. Schematic Diagram of the Debug LED Interface**

## 2.8 Debug Support

The 56F827EVM provides an on-board Parallel JTAG Host Target Interface and a JTAG interface connector for external Target Interface support. Two interface connectors are provided to support each of these debugging approaches. These two connectors are designated the JTAG connector and the Host Parallel Interface Connector.



## 2.8.1 JTAG Connector

The JTAG connector on the 56F827EVM allows the connection of an external Host Target Interface for downloading programs and working with the 56F827's registers. This connector is used to communicate with an external Host Target Interface which passes information and data back and forth with a host processor running a debugger program. [Table 2-4](#) shows the pin-out for this connector.

**Table 2-4. JTAG Connector Description**

J3			
Pin #	Signal	Pin #	Signal
1	TDI	2	GND
3	TDO	4	GND
5	TCK	6	GND
7	NC	8	KEY
9	$\overline{\text{RESET}}$	10	TMS
11	+3.3V	12	NC
13	NC	14	$\overline{\text{TRST}}$

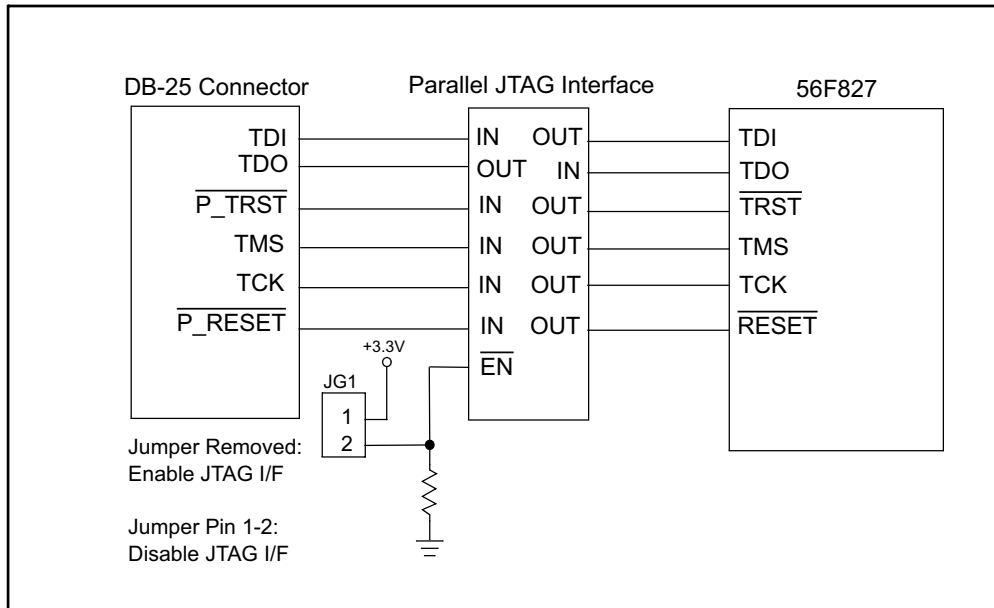
When this connector is used with an external Host Target Interface, the parallel JTAG interface should be disabled by placing a jumper in jumper block JG1. See [Table 2-5](#) for this jumper's selection options.

**Table 2-5. Parallel JTAG Interface Disable Jumper Selection**

JG1	Comment
No jumpers	On-board Parallel JTAG Interface Enabled
1-2	Disable on-board Parallel JTAG Interface

## 2.8.2 Parallel JTAG Interface Connector

The Parallel JTAG Interface Connector, P2, allows the 56F827 to communicate with a Parallel Printer Port on a Windows PC; reference [Figure 2-6](#). By using this connector, the user can download programs and work with the 56F827's registers. [Table 2-6](#) shows the pin-out for this connector. When using the parallel JTAG interface, the jumper at JG1 should be removed, as shown in [Table 2-5](#).



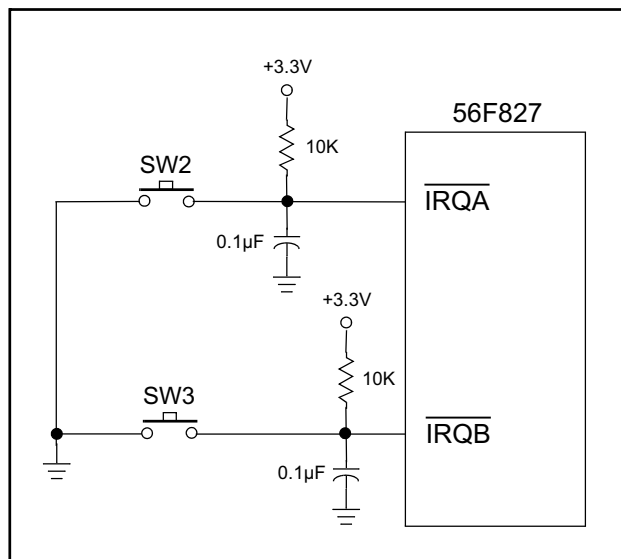
**Figure 2-6. Block Diagram of the Parallel JTAG Interface**

**Table 2-6. Parallel JTAG Interface Connector Description**

P2			
Pin #	Signal	Pin #	Signal
1	NC	14	NC
2	PORT_RESET	15	PORT_IDENT
3	PORT_TMS	16	NC
4	PORT_TCK	17	NC
5	PORT_TDI	18	GND
6	$\overline{\text{PORT\_TRST}}$	19	GND
7	NC	20	GND
8	PORT_IDENT	21	GND
9	PORT_VCC	22	GND
10	NC	23	GND
11	PORT_TDO	24	GND
12	NC	25	GND
13	PORT_CONNECT		

## 2.9 External Interrupts

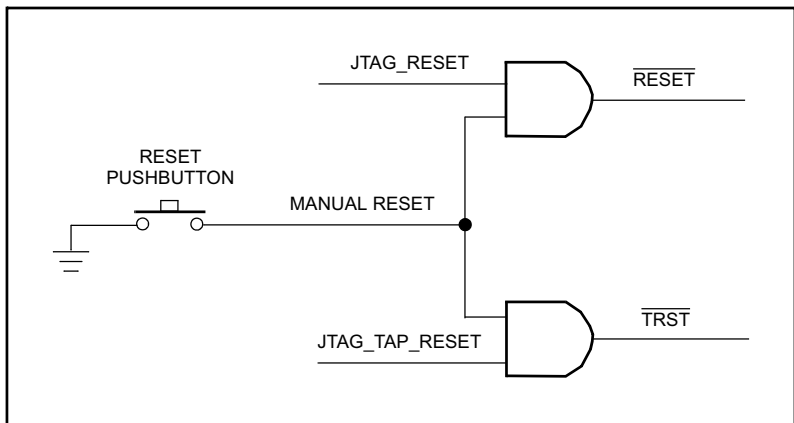
Two on-board push-button switches are provided for external interrupt generation, as shown in [Figure 2-7](#). S2 allows the user to generate a hardware interrupt for signal line  $\overline{\text{IRQA}}$ . S3 allows the user to generate a hardware interrupt for signal line  $\overline{\text{IRQB}}$ . These two switches allow the user to generate interrupts for his user-specific programs.



**Figure 2-7. Schematic Diagram of the User Interrupt Interface**

## 2.10 Reset

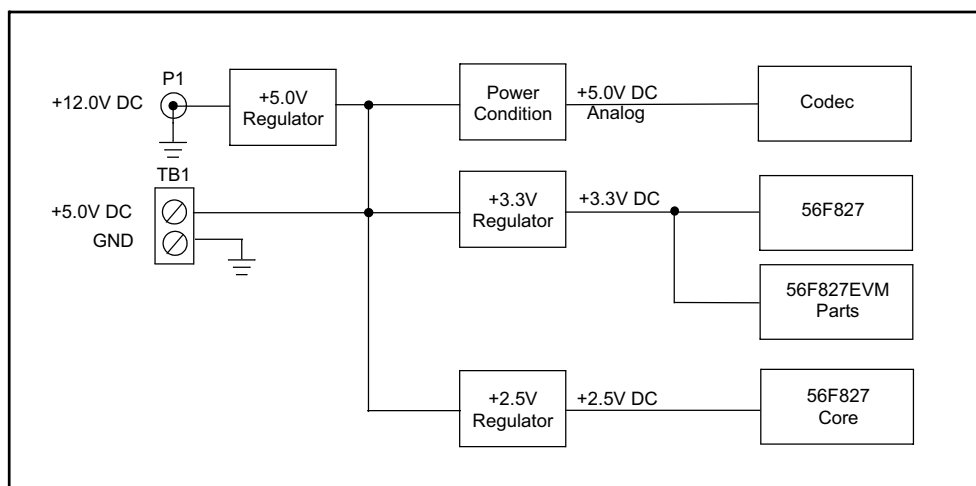
Logic is provided on the 56F827 to generate an internal Power-On RESET. Additional reset logic is provided to support the RESET signals from the JTAG connector, the Parallel JTAG Interface and the user RESET push-button; refer to [Figure 2-8](#).



**Figure 2-8. Schematic Diagram of the RESET Interface**

## 2.11 Power Supply

The main power input, +12.0V DC, to the 56F827EVM is through a 2.1mm coax power jack, P1. An optional +5.0V DC power supply input is available through a 2-pin terminal block, TB1. A 1.2A power supply is provided with the 56F827EVM; however, less than 500mA is required by the EVM. The remaining current is available for user daughter card applications when connected to the daughter card interface. The power regulation on the 56F827EVM provides +5.0V DC voltage regulation for the codec's analog circuits and to the additional voltage regulation logic on the EVM. The additional voltage regulation logic provides +2.5V DC voltage regulation for the controller's core and +3.3V DC voltage regulation for the controller's I/O, memory, parallel JTAG interface and supporting logic; refer to [Figure 2-9](#). Power applied to the 56F827EVM is indicated with a Power-On LED, referenced as LED7.



**Figure 2-9. Schematic Diagram of the Power Supply**

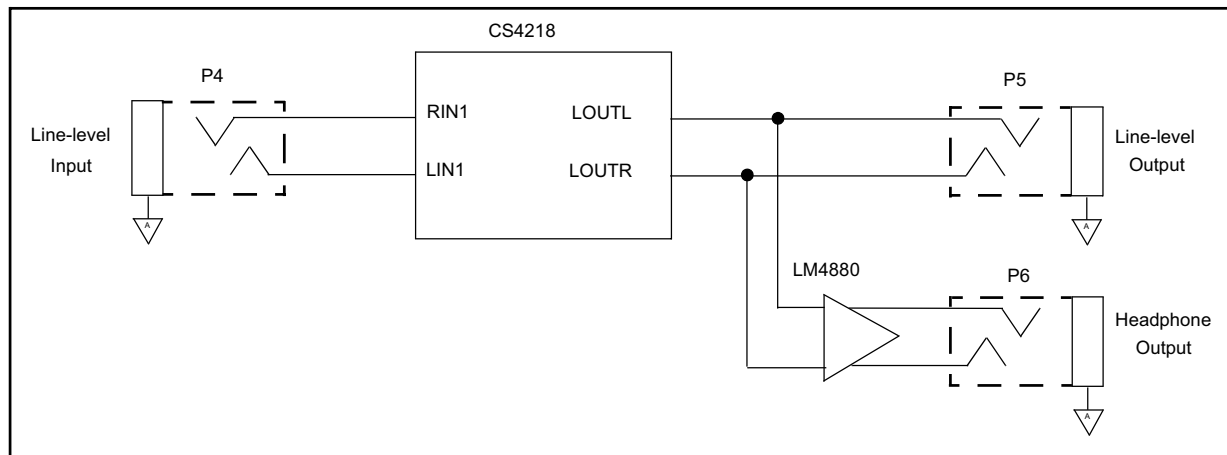
## 2.12 Stereo Codec

A 16-bit audio quality stereo codec, Crystal Semiconductor CS4218, is connected to the 56F827's SSI port to support audio, voice and signal analysis applications. The codec is clocked with a 12.288MHz oscillator. This allows the codec to operate between a sample frequency of 8kHz and 48kHz. The sample rate can be manually set by setting the appropriate switch positions on dip switch S4. The sample rate selections possible using this three-position dip switch are detailed in [Table 2-7](#). The codec supports +3.3V digital levels, eliminating the need for voltage-level translation circuitry. Additionally, a set of zero ohm resistors are provided on the EVM to allow a user to disconnect the on-board codec from the SSI port and to connect his own codec to the SSI port; refer to [Figure 2-11](#). The on-board codec has analog signal conditioning

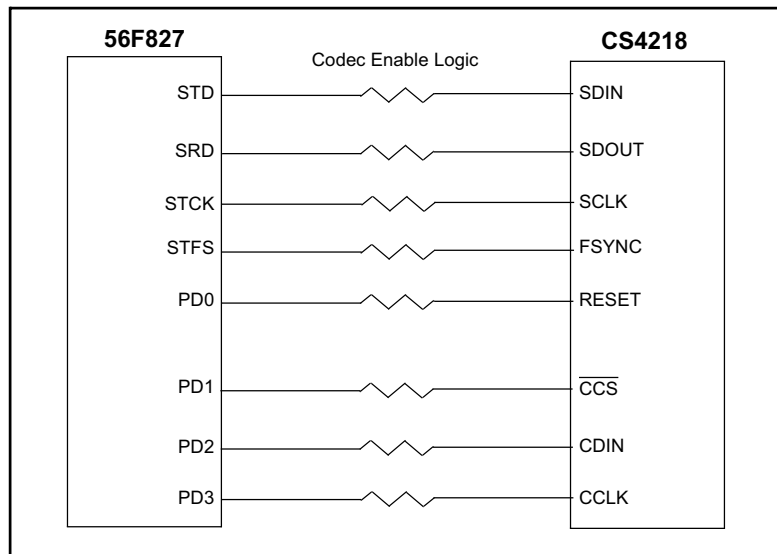
logic, allowing direct connection to its line-level input and line-level output signals through two 1/8" stereo jacks; see [Figure 2-10](#).

**Table 2-7. Codec Sample Rate Selector**

SW 4 Position 3 (MF6)	SW 4 Position 2 (MF7)	SW 4 Position 1 (MF8)	Sample Rate
ON	ON	ON	48.00kHz
ON	ON	OFF	32.00kHz
ON	OFF	ON	24.00kHz
ON	OFF	OFF	19.20kHz
OFF	ON	ON	16.00kHz
OFF	ON	OFF	12.00kHz
OFF	OFF	ON	9.60kHz
OFF	OFF	OFF	8.00kHz



**Figure 2-10. Codec Analog Connections**



**Figure 2-11. CS4218 Stereo Audio Codec**

### 2.12.1 Analog Input/Output

The 56F827EVM uses jacks for line-level stereo input, line-level stereo output and stereo headphone output. A National Semiconductor LM4880 is used to provide the drive required for the use of headphones. This device offers a THD, which is superior to the CS4218's on-chip headphone drive circuitry by a factor of two. The basic Analog codec connections are shown in [Figure 2-10](#).

### 2.12.2 Digital Interface

The serial interface of the codec transfers digital audio data and control data into and out of the device. The SSI port, which consists of independent transmitter and receiver sections, is used for serial communication with the codec.

On the controller side, the Serial Transmit Data pin, STD, is an output when data is being transmitted to the codec. The Serial Receive Data pin, SRD, is an input when data is being received from the codec. These two pins are connected to the codec's Serial Data Input pin, SDIN, and Serial Data Output pin, SDOUT.

The controller's Transmit Serial Clock pin, STCK, provides the serial bit rate clock for the SSI interface. It is connected to the codec's Serial Port Clock pin, SCLK. Data is transmitted on the rising edge of SCLK and is received on the falling edge of SCLK.



The device's GPIO PORT D Bit 0 pin, PD0, is programmed to control the codec's Active Low Reset signal, RESET.

The Serial Transmit Frame Sync pin, STFS, is programmed to control the codec's Frame Sync signal, FSYNC. FSYNC is sampled by SCLK, with a rising edge indicating a new frame is about to start. The FSYNC frequency is always the system's sample rate. It may be an input to the codec, or it may be an output from the codec in data mode.

The basic codec digital connections are shown in [Figure 2-11](#).

The codec's MODE is set by the three MODE selection resistors, R96-R98. In the factory default setting of MODE 4, the codec is set to be the Master of the SPI bus with its data word set at 32 bits per frame; i.e., a 16-bit Left channel and a 16-bit Right channel. The sample rate is selected on Sample Rate Selector switch S4; reference [Table 2-7](#) for selection options. Codec control information is sent over a separate serial port using: PD1 as the Control Chip Select signal, CCS; PD2 as the Control Data Input signal, CDIN; and PD3 as the Control Clock signal, CCLK.

## 2.13 Daughter Card Connectors

The EVM board contains two daughter card expansion connectors. One connector, J1, contains the controller's external memory bus signals. The other connector, J2, contains the device's peripheral port signals.

### 2.13.1 Memory Daughter Card Expansion Connector

The controller's external memory bus signals are connected to the Memory Daughter Card Expansion connector, J1. [Table 2-8](#) shows the port signal to pin assignments.

**Table 2-8. Memory Daughter Card Connector Description**

J1			
Pin #	Signal	Pin #	Signal
1	A10	2	A11
3	A9	4	$\overline{DS}$
5	A8	6	A15
7	A7	8	A14
9	GND	10	PCS7

**Table 2-8. Memory Daughter Card Connector Description**

J1			
Pin #	Signal	Pin #	Signal
11	$\overline{WR}$	12	A13
13	D0	14	A12
15	D1	16	D8
17	D2	18	D9
19	GND	20	GND
21	D3	22	D10
23	D4	24	D11
25	D5	26	D12
27	D6	28	D13
29	PCS6	30	PCS5
31	D7	32	D14
33	$\overline{PS}$	34	D15
35	A0	36	$\overline{RD}$
37	A1	38	A6
39	PCS4	40	GND
41	A2	42	A5
43	A3	44	A4
45	PCS3	46	PCS2
47	+3.3V	48	+3.3V
49	GND	50	GND
51	GND		

### 2.13.2 Peripheral Daughter Card Expansion Connector

The controller's peripheral port signals are connected to the Peripheral Daughter Card Expansion connector, J2. [Table 2-9](#) shows the port signal to pin assignments.

**Table 2-9. Peripheral Daughter Card Connector Description**

J2			
Pin #	Signal	Pin #	Signal
1	PB0	2	PB1
3	CLKO	4	PB2
5	TA0	6	TA1
7	PB3	8	PB4
9	TA2	10	TA3
11	PB5	12	PB6
13	ANA0	14	ANA1
15	SRD	16	PB7
17	SRFS	18	PD0
19	SCLK	20	PD1
21	ANA2	22	ANA3
23	MOSI	24	PD2
25	MISO	26	PD3
27	ANA4	28	ANA5
29	$\overline{SS}$	30	PD4
31	SRCK	32	PD5
33	STFS	34	PD6
35	$\overline{RESET}$	36	PD7
37	ANA6	38	ANA7
39	STD	40	RXD1
41	STCK	42	TXD1
43	$\overline{IRQB}$	44	RXD0
45	$\overline{IRQA}$	46	TXD0
47	+3.3V	48	+3.3V

**Table 2-9. Peripheral Daughter Card Connector Description (Continued)**

J2			
Pin #	Signal	Pin #	Signal
49	ANA8	50	ANA9
51	GND		

## 2.14 SCI Port #2

A separate connector, J4, is provided to allow the easy connection of SCI Port #2 signals along with a reference GND signal.

**Table 2-10. SCI Port #2 Connector**

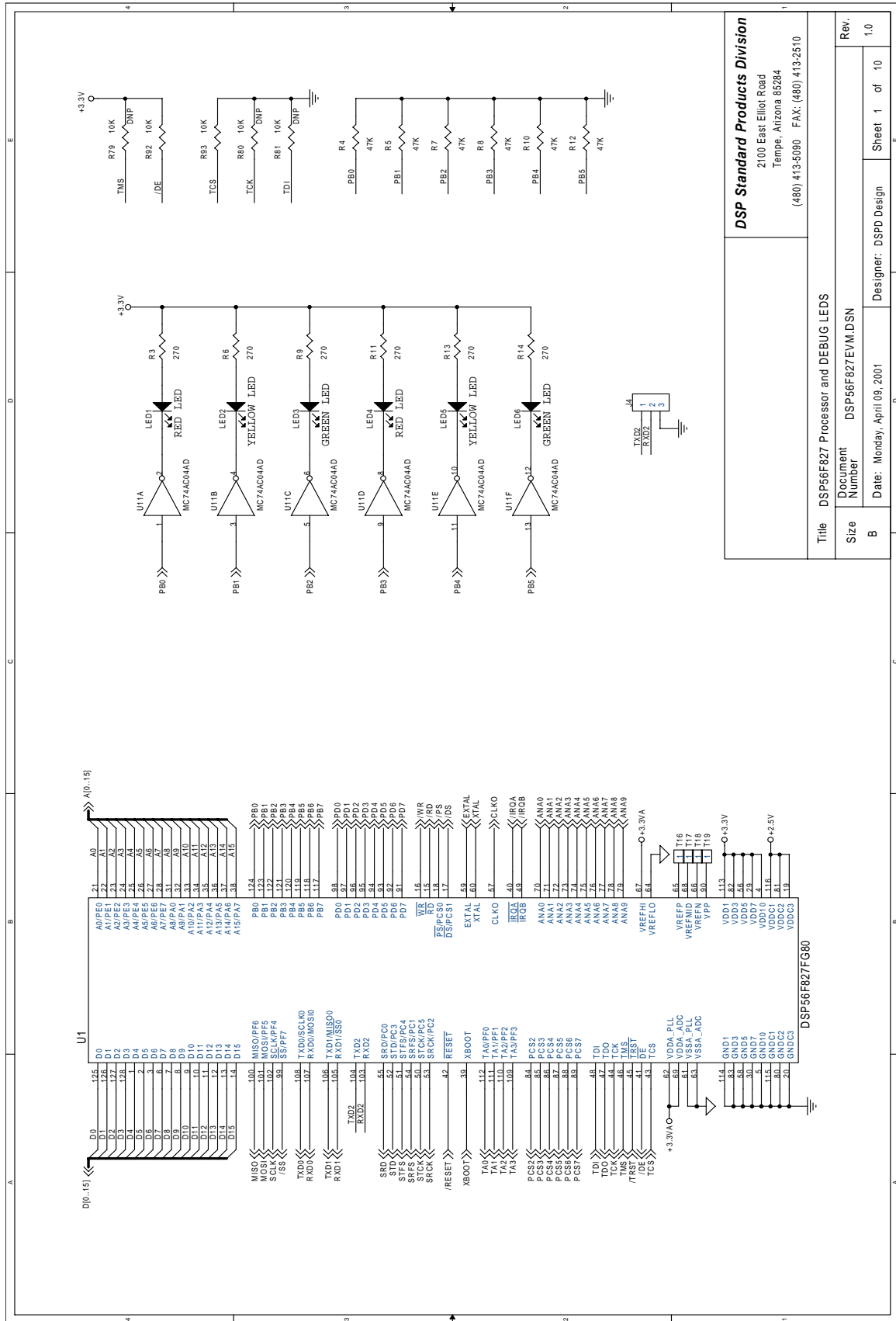
J4	Signal Description
1	TXD2
2	RXD2
3	GND

## 2.15 Test Points

The 56F827EVM board has a total of seven test points. Three digital GND test points are located in corners of the board. The +5.0VA and AGND test points are located in the bottom right, analog corner, of the board. The +2.5V and +3.3V test points are located in the upper right, power supply section, of the board.

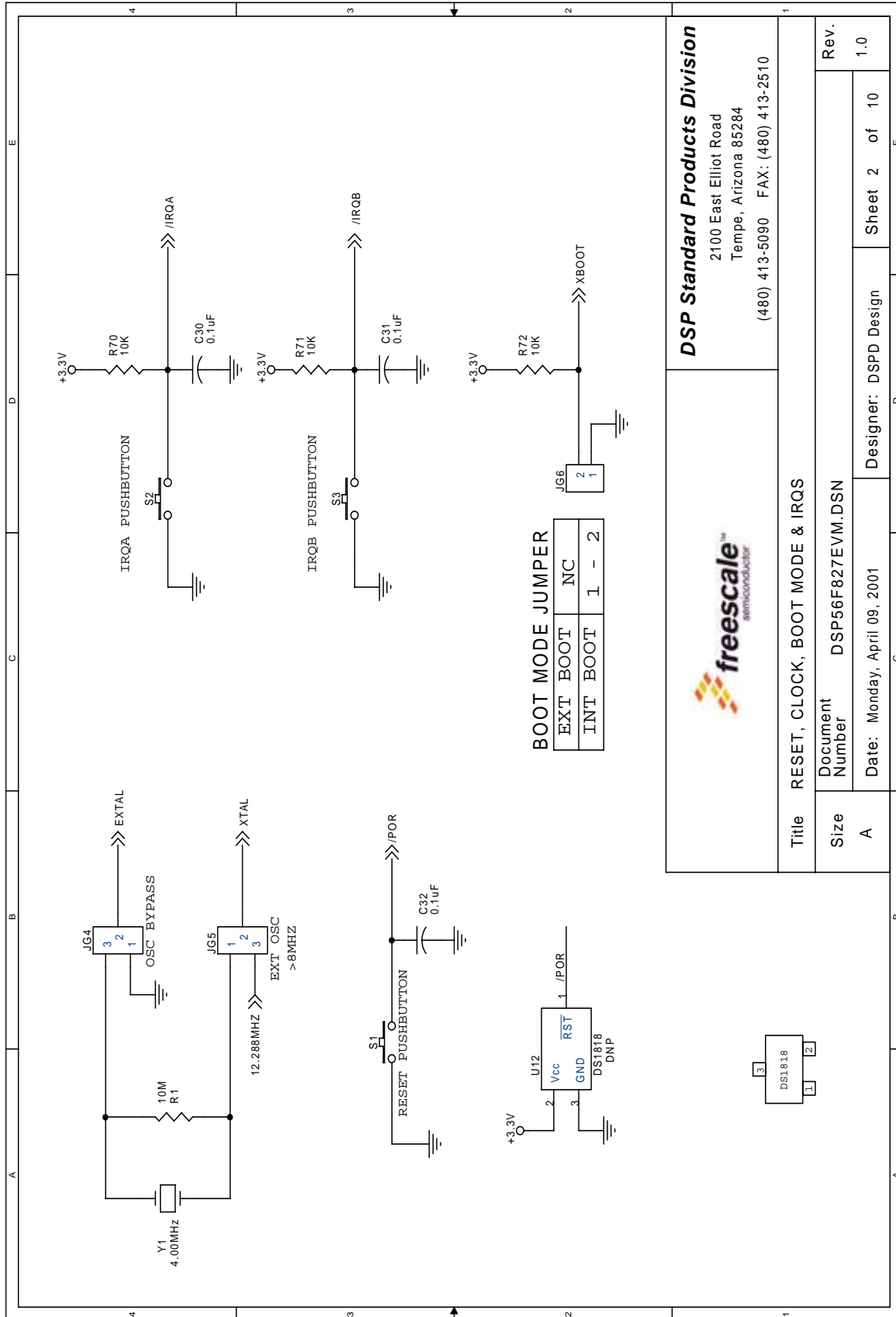
# Appendix A

## 56F827EVM Schematics



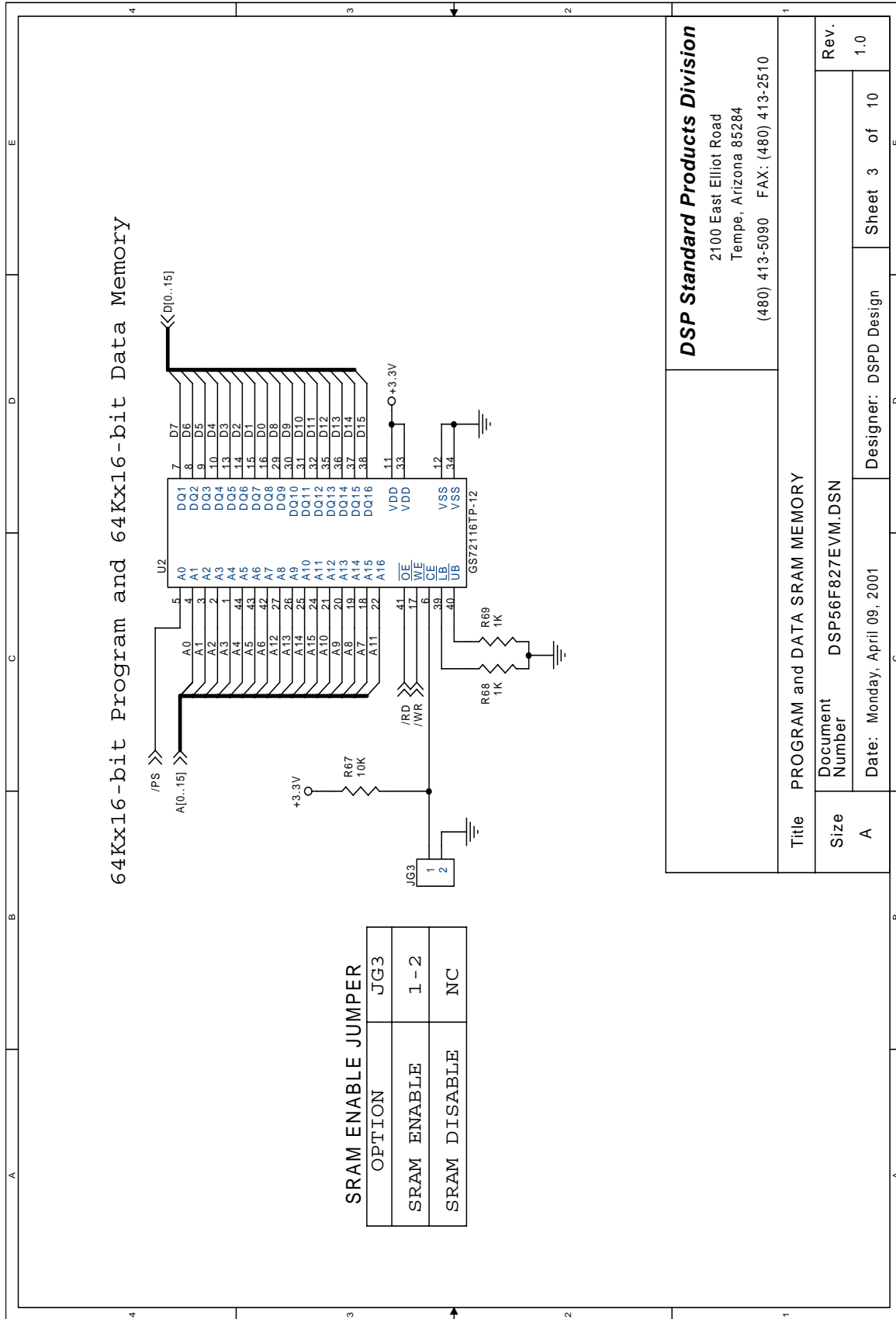
<b>DSP Standard Products Division</b> 2100 East Elliot Road Tempe, Arizona 85284 (480) 413-5090 FAX: (480) 413-2510	
<b>Title</b> DSP56F827 Processor and DEBUG LEDs	
<b>Document Number</b> DSP56F827EVM.DSN	<b>Rev.</b> 1.0
<b>Date:</b> Monday, April 09, 2001	<b>Designer:</b> DSPD Design
<b>Sheet</b> 1	<b>of</b> 10

Figure A-1. 56F827 Processor and Debug LEDs



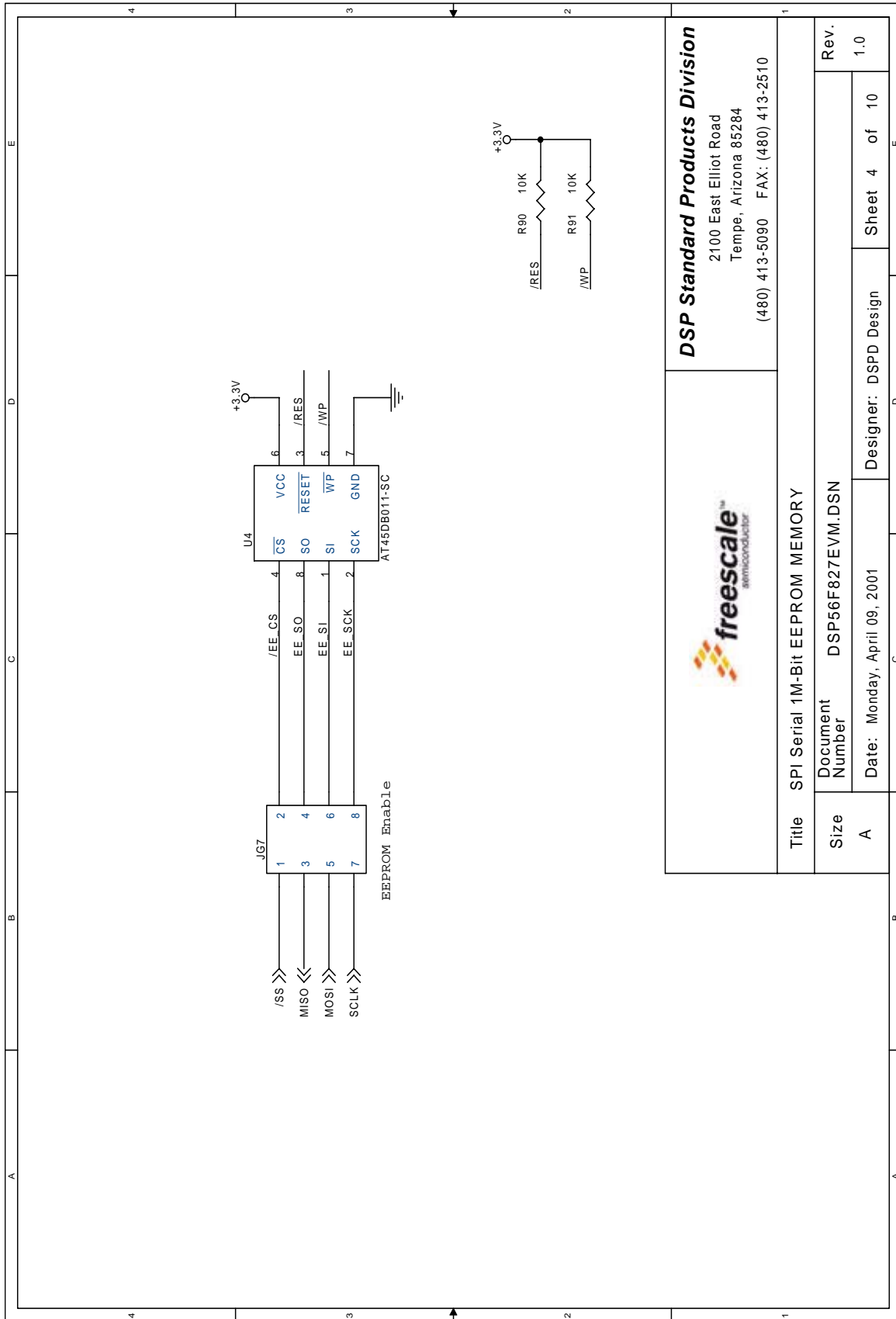
		<b>DSP Standard Products Division</b> 2100 East Elliot Road Tempe, Arizona 85284 (480) 413-5090 FAX: (480) 413-2510	
		Title RESET, CLOCK, BOOT MODE & IRQS	Rev. 1.0
Size A	Document Number DSP56F827EVM.DSN	Date: Monday, April 09, 2001	Designer: DSPD Design
		Sheet 2 of 10	

**Figure A-2. Reset, Clock, Boot Mode & IRQs**



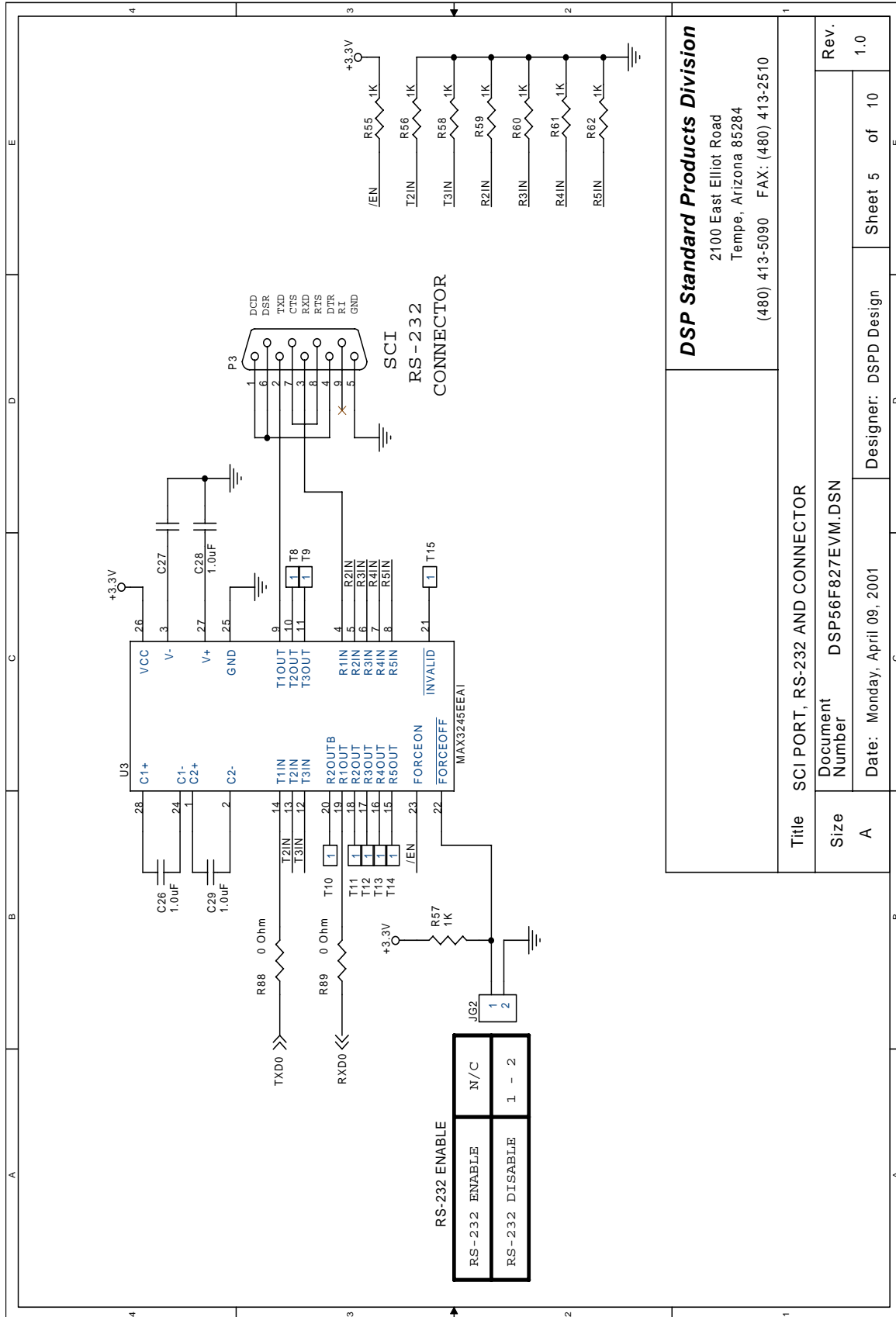
**Figure A-3. Program & Data SRAM Memory**





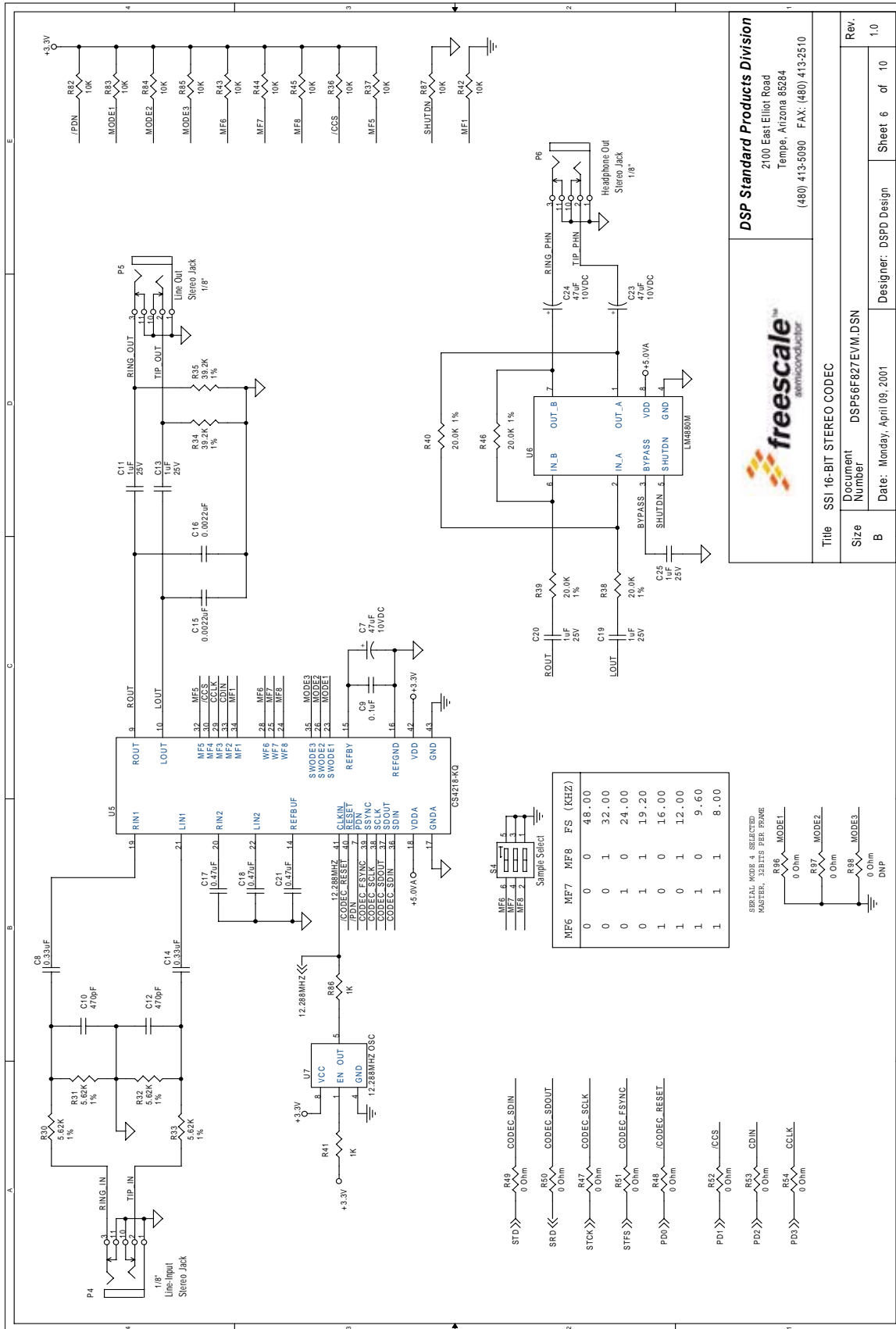
		<b>DSP Standard Products Division</b> 2100 East Elliot Road Tempe, Arizona 85284 (480) 413-5090 FAX: (480) 413-2510	
		Title SPI Serial 1M-Bit EEPROM MEMORY	
Size	A	Document Number	DSP56F827EVM.DSN
Date: Monday, April 09, 2001		Designer: DSPD Design	
Rev. 1.0		Sheet 4 of 10	

**Figure A-4. SPI Serial 1M-bit Serial EEPROM Memory**



<b>DSP Standard Products Division</b> 2100 East Elliot Road Tempe, Arizona 85284 (480) 413-5030 FAX: (480) 413-2510	
Title: SCI PORT, RS-232 AND CONNECTOR	
Document Number: DSP56F827EVM.DSN	Rev. 1.0
Date: Monday, April 09, 2001	Designer: DSPD Design
Sheet 5 of 10	Sheet 5 of 10

**Figure A-5. SCI Port, RS-232 and Connector**

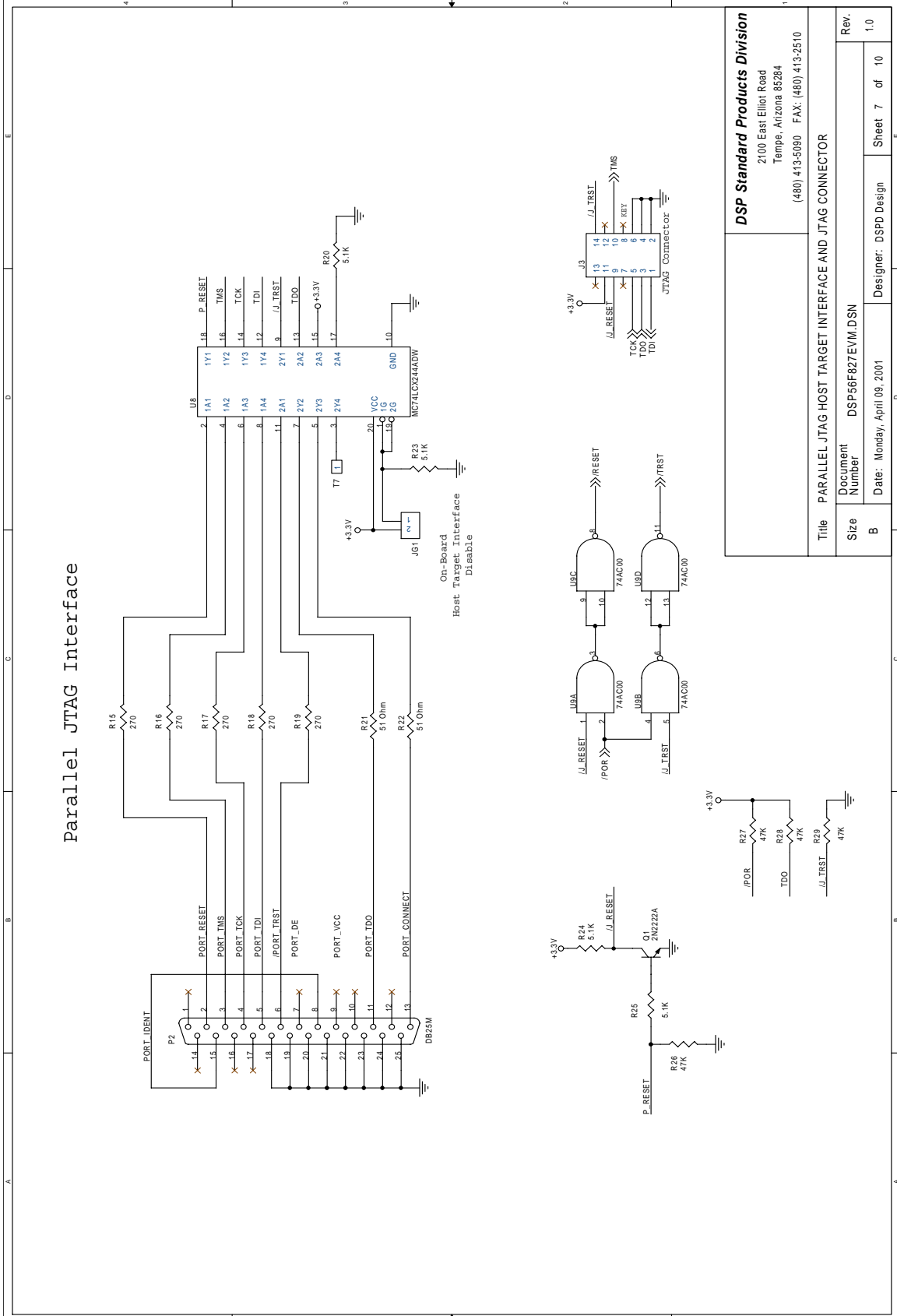


**freescale**  
semiconductor

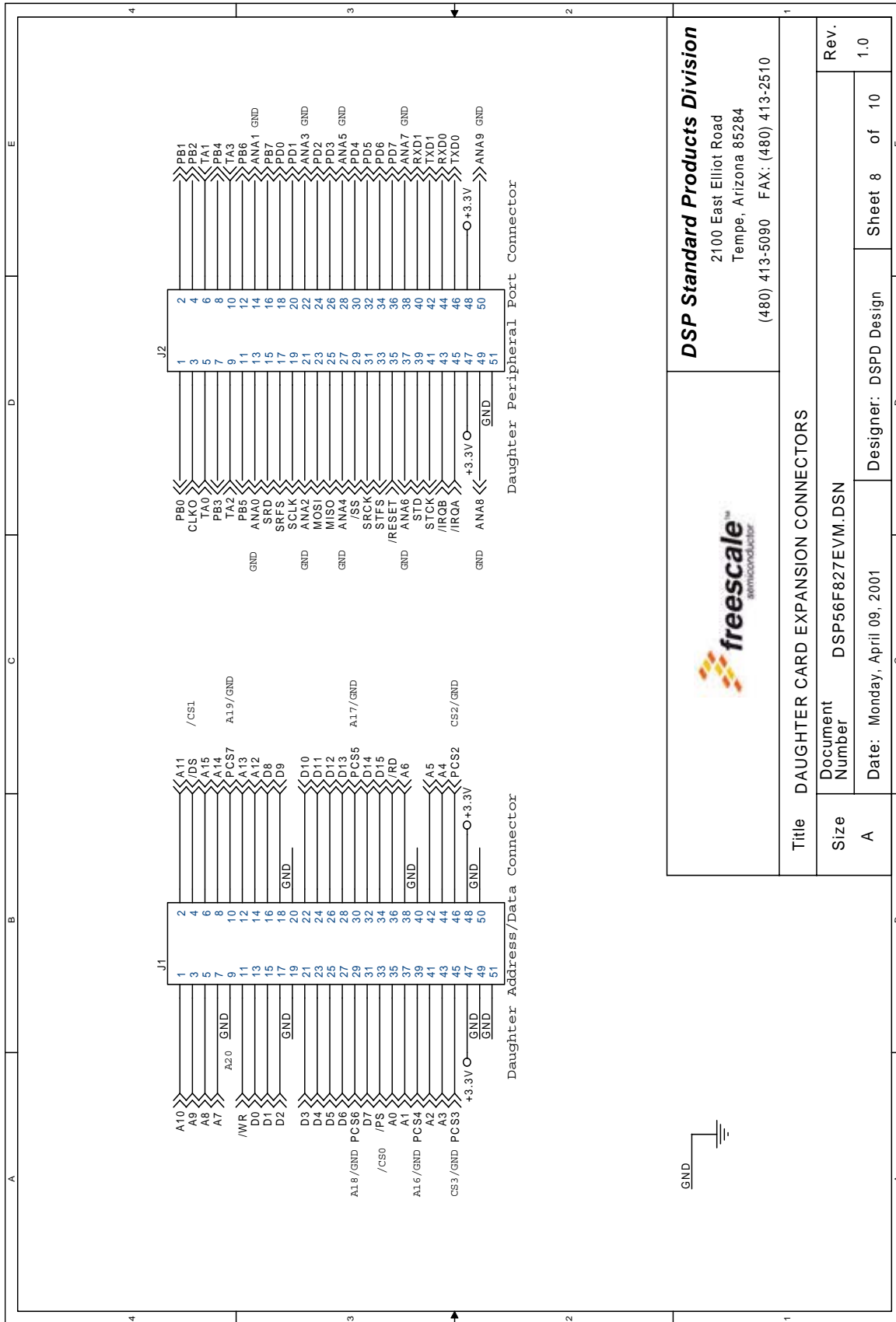
**DSP Standard Products Division**  
2100 East Elliot Road  
Tempe, Arizona 85284  
(480) 413-5090 FAX: (480) 413-2510

Title: SSI 16-BIT STEREO CODEC  
Document Number: DSP56F827EVM.DSN  
Size: B  
Date: Monday, April 09, 2001  
Designer: DSPD Design  
Rev. 1.0  
Sheet 6 of 10

Figure A-6. SSI 16-Bit Stereo Codec

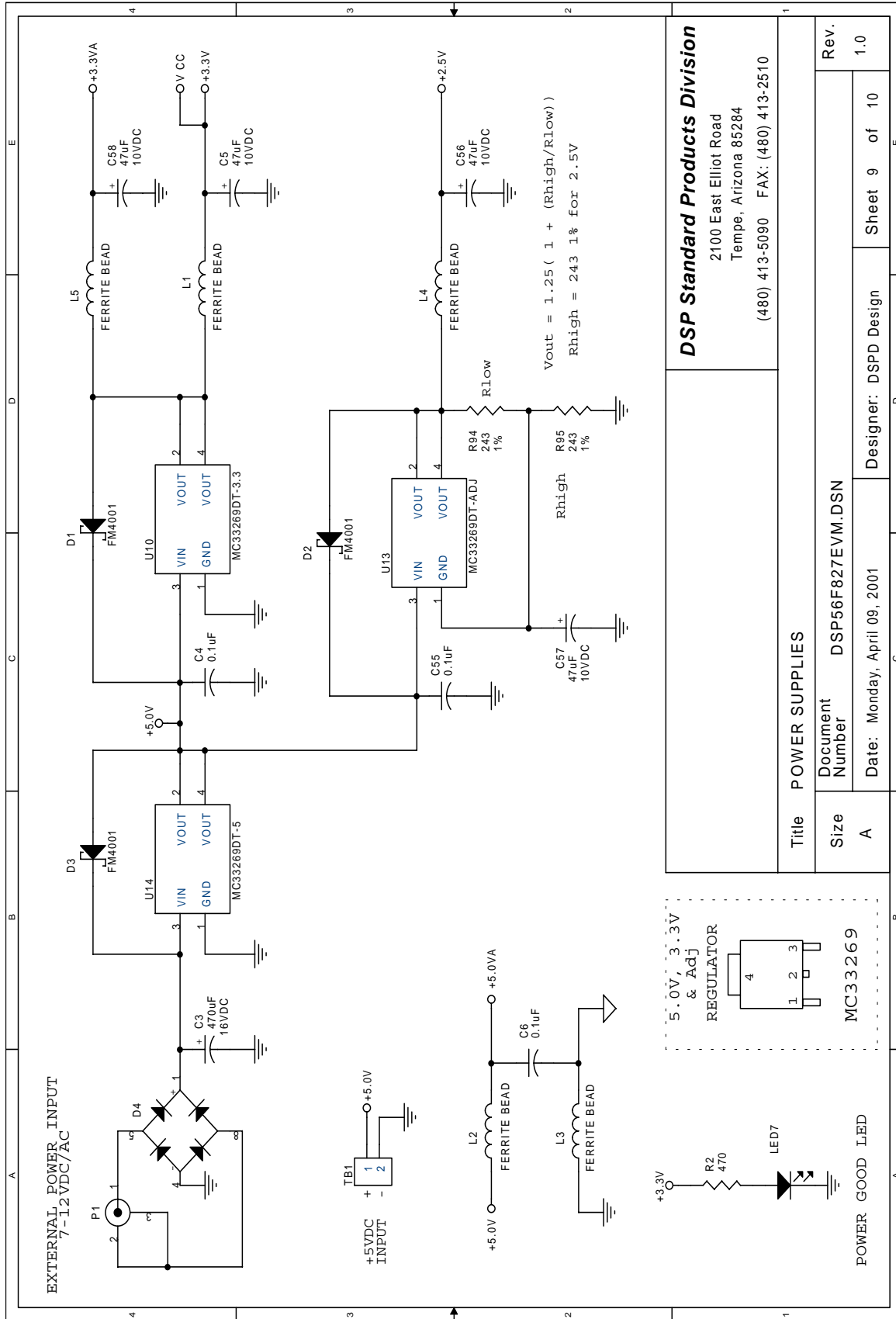


**Figure A-7. Parallel JTAG Host Target Interface and JTAG Connector**

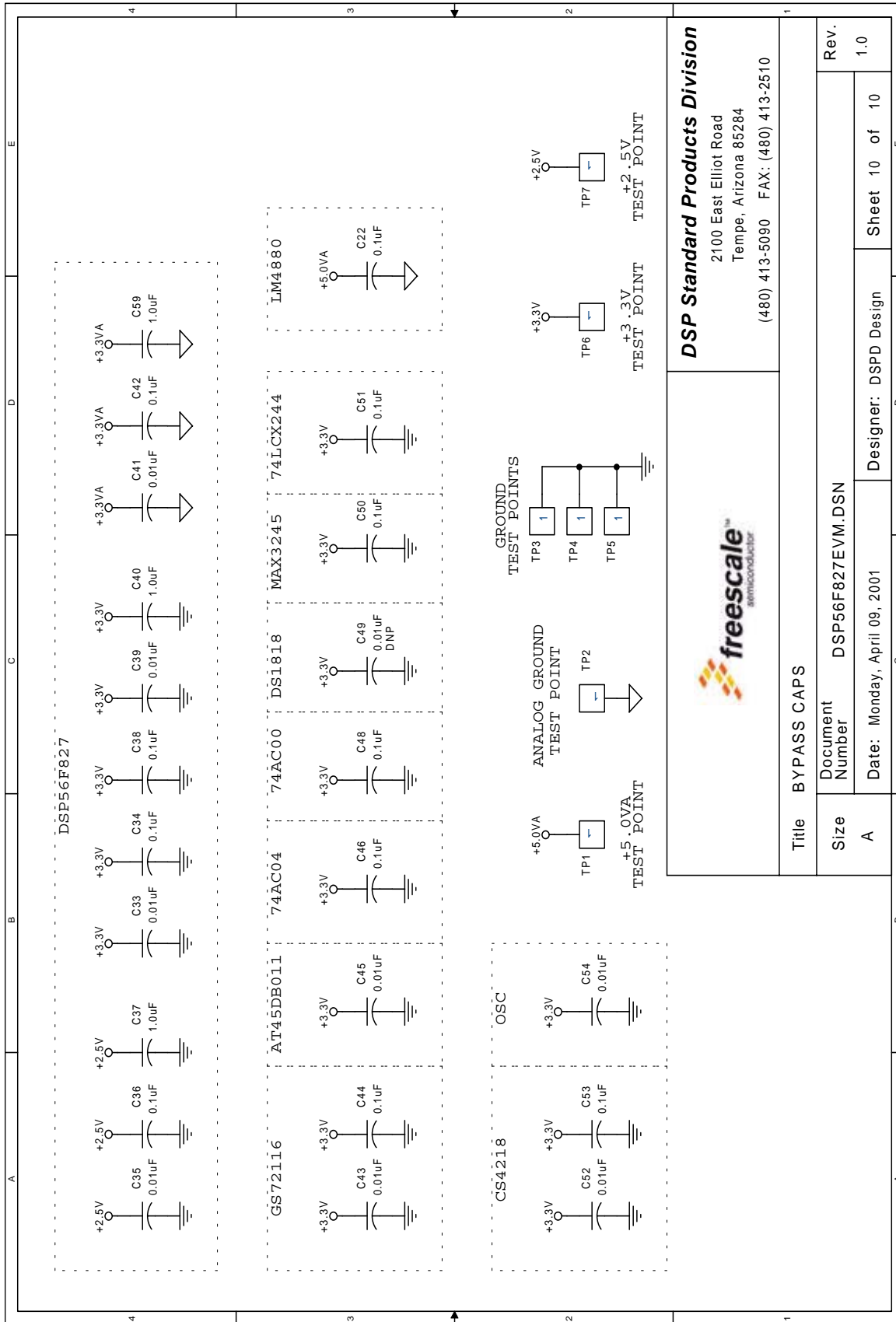


		<b>DSP Standard Products Division</b> 2100 East Elliot Road Tempe, Arizona 85284 (480) 413-5090 FAX: (480) 413-2510	
		Title DAUGHTER CARD EXPANSION CONNECTORS	
Size	Document Number	Rev.	
A	DSP56F827EVM.DSN	Sheet 8	of 10
Date: Monday, April 09, 2001		Designer: DSPD Design	

Figure A-8. Daughter Card Expansion Connectors



**Figure A-9. Power Supplies**



**Figure A-10. Bypass Caps**





# Appendix B

## 56F827EVM Bill of Material

Qty.	Description	Ref. Designators	Vendor Part #s
<b>Integrated Circuits</b>			
1	DSP56F827FG80	U1	Freescale, DSP56F827FG80
1	GS72116	U2	GSI, GS72116TP-12
1	MAX3245	U3	Maxim, MAX3245EEAI
1	AT45DB011	U4	Atmel, AT45DB011-SC
1	CS4218	U5	Crystal Semiconductor, CS4218-KQ
1	LM4880	U6	National Semiconductor, LM4880M
1	12.288MHZ OSC	U7	Epson, SG-531P-12.288MC
1	74LCX244	U8	ON Semiconductor, MC74LCX244ADW
1	74AC00	U9	Fairchild, 74AC00SC
1	+3.3V Voltage Regulator	U10	ON Semiconductor, MC33269DT-3.3
1	74AC04	U11	ON Semiconductor, MC74AC04AD
1	+2.5V Voltage Regulator	U13	ON Semiconductor, MC33269DT-ADJ
1	+5.0V Voltage Regulator	U14	ON Semiconductor, MC33269DT-5
<b>Resistors</b>			
1	10M $\Omega$	R1	SMEC, RC73L2A10MOHMJT
1	470 $\Omega$	R2	SMEC, RC73L2A470OHMJT
11	270 $\Omega$	R3, R6, R9, R11, R13 - R19	SMEC, RC73L2A270OHMJT
10	47K $\Omega$	R4, R5, R7, R8, R10, R12, R26 - R29	SMEC, RC73L2A47KOHMJT
4	5.1K $\Omega$	R20, R23 - R25	SMEC, RC73L2A5.1KOHMJT

Qty.	Description	Ref. Designators	Vendor Part #s
<b>Resistors (Continued)</b>			
2	51 $\Omega$	R21, R22	SMEC, RC73L2A51OHMJT
4	5.62K $\Omega$ , 1%	R30 - R33	SMEC, RC73L2A5.62KOHMFT
2	39.2K $\Omega$ , 1%	R34, R35	SMEC, RC73L2A39.2KOHMFT
19	10K $\Omega$	R36, R37, R42 - R45, R67, R70 - R72, R82 - R85, R87, R90 - R93	SMEC, RC73L2A10KOHMJT
4	20.0K $\Omega$ , 1%	R38 - R40, R46	SMEC, RC73L20.0KOHMFT
12	1K $\Omega$	R41, R55 - R62, R68, R69, R86	SMEC, RC73L2A1KOHMJT
12	0 $\Omega$	R47 - R54, R88, R89, R96, R97	SMEC, RC73JP2A
2	243 $\Omega$ , 1%	R94, R95	SMEC, RC73L243OHMFT
<b>Inductors</b>			
4	1.0mH FERRITE BEAD	L1, L2, L3, L4	Panasonic, EXC-ELSA35V
<b>LEDs</b>			
2	Red LED	LED1, LED4	Hewlett-Packard, HSMS-C650
2	Yellow LED	LED2, LED5	Hewlett-Packard, HSMY-C650
3	Green LED	LED3, LED6, LED7	Hewlett-Packard, HSMG-C650
<b>Diode</b>			
2	S2B-FM401	D1, D2, D3	Vishay, DL4001DICT
1	1Amp Bridge Rectifier	D4	General Semiconductor, DF02S
<b>Capacitors</b>			
1	470 $\mu$ F, +16V DC	C3	ELMA, RV-16V471MH10R
18	0.1 $\mu$ F	C4, C6, C9, C22, C30 - C32, C34, C36, C38, C42, C44, C46, C48, C50, C51, C53, C55	SMEC, MCCE104K2NR-T1
7	47 $\mu$ F, +16V DC	C5, C7, C23, C24, C56, C57, C58	ELMA, RV2-16V470M-R
2	0.33 $\mu$ F	C8, C14	SMEC, MCCE334K3NR-T1
2	470pF	C10, C12	SMEC, MCCE471J2NO-T1
12	1.0 $\mu$ F, +25V DC	C11, C13, C19, C20, C25 - C29, C37, C40, C59	SMEC, MCCE105K3NR-T1

Qty.	Description	Ref. Designators	Vendor Part #s
<b>Capacitors (Continued)</b>			
2	0.0022 $\mu$ F	C15, C16	SMEC, MCCE222K2NR-T1
3	0.47 $\mu$ F	C17, C18, C21	SMEC, MCCE474K3NR-T1
9	0.01 $\mu$ F	C33, C35, C39, C41, C43, C45, C49, C52, C54	SMEC, MCCE103K2NR-T1
<b>Jumpers</b>			
4	1 $\times$ 2, 2mm Header	JG1 - JG3, JG6	SAMTEC, TMM-102-03-S-S
2	3 $\times$ 1, 2mm Header	JG4, JG5	SAMTEC, TMM-103-03-S-S
1	4 $\times$ 2, 2mm Header	JG7	SAMTEC, TMM-104-03-S-D
<b>Test Points</b>			
7	1 $\times$ 1, Pin	TP1 - TP7	Samtec, TSW-101-06-S-S
<b>Crystals</b>			
1	4.00MHz Crystal	Y1	CTS, ATS04ASM-T
<b>Connectors</b>			
1	2.1mm coax Power Connector	P1	Switchcraft, RAPC-722
1	DB25M Connector	P2	AMPHENOL, 617-C025P-AJ121
1	DE9S Connector	P3	AMPHENOL, 617-C009S-AJ120
3	1/8" Stereo Jack	P4 - P6	Switchcraft, 35RAPC4BHN2
2	51-Pin HD Connector	J1, J2	FCI Framatome Conn, 91930-21151
1	7 x 2 Bergstick	J3	SAMTEC, TSW-107-07-S-D
1	2-Pin Terminal Block	TB1	On-Shore Technology, ED500/2DS
<b>Switches</b>			
3	SPST Pushbutton	S1 - S3	Panasonic, EVQ-PAD05R
1	3-Position DIP SW	S4	CTS, 209-3LPST
<b>Transistors</b>			
1	2N2222A	Q1	ZETEX, FMMT2222ACT

Qty.	Description	Ref. Designators	Vendor Part #s
<b>Miscellaneous</b>			
8	2mm Shunt	SH1–SH8	Samtec, 2SN-BK-T
4	Rubber Feet	RF1–RF4	3M, SJ5018BLKC

# INDEX

## Numerics

- 1.2A power supply [2-14](#)
- 16-bit 2.5V/3.3V hybrid controller [2-1](#)
- 16-bit stereo codec interface [2-1](#)
- 1M-bit Serial EEPROM [2-1](#)
- 4.00MHz crystal oscillator [2-1](#)
- 64Kx16 bits of data memory [2-1](#)
- 64Kx16 bits of program memory [2-1](#)

## C

- Codec [Preface-ix](#)

## D

- Data memory [2-3](#)
- Daughter Card Expansion interface [2-1](#)
- Debugging [2-8](#)
- Development Card [2-1](#)

## E

- EEPROM
  - EEPROM [Preface-ix](#)
- Electrically Erasable Programmable Read Only
  - Memory [Preface-ix](#)
- Evaluation Module [Preface-ix](#)
- EVM
  - EVM [Preface-ix](#)
- External oscillator frequency input [2-1](#)

## F

- FSRAM [2-1](#), [2-3](#)

## G

- General Purpose Input/Output port [Preface-ix](#)
- GPIO [2-2](#)
  - GPIO [Preface-ix](#)

## H

- Host Parallel Interface Connector [2-8](#)
- Host Target Interface [2-8](#)

## I

- IC
  - IC [Preface-ix](#)
- Integrated Circuit [Preface-ix](#)

## J

- Joint Test Action Group [Preface-ix](#)
- JTAG [1-1](#), [2-1](#)
  - connector [2-9](#)
  - JTAG [Preface-ix](#)
- JTAG port interface [2-1](#)
- Jumper Group [1-3](#)
  - JG1 [1-3](#)
  - JG2 [1-3](#)
  - JG3 [1-3](#)
  - JG4 [1-3](#)
  - JG5 [1-3](#)
  - JG6 [1-3](#)
  - JG7 [1-3](#)

## L

- Low-profile Quad Flat Pack [Preface-ix](#)
- LQFP
  - LQFP [Preface-ix](#)

## M

- MPIO
  - MPIO [Preface-ix](#)
- Multi-Purpose Input/Output port [Preface-ix](#)

## O

- On-board power regulation [2-2](#)
- OnCE [1-1](#)
- OnCE(TM)
  - OnCE [Preface-ix](#)
- On-Chip Emulation [Preface-ix](#)
- Operating Mode [2-7](#)

## P

Parallel JTAG Host Target Interface [2-1](#)  
 PCB  
   PCB [Preface-ix](#)  
 Phase Locked Loop [Preface-ix](#)  
 PLL  
   PLL [Preface-ix](#)  
 Printed Circuit Board [Preface-ix](#)  
 Program memory [2-3](#)

## R

RAM  
   RAM [Preface-ix](#)  
 Random Access Memory [Preface-ix](#)  
 Read-Only Memory [Preface-ix](#)  
 Real-time debugging [2-8](#)  
 ROM  
   ROM [Preface-ix](#)  
 RS-232  
   interface [2-1](#), [2-5](#)  
   level converter [2-5](#)  
   schematic diagram [2-5](#)  
 RS-232 interface [2-1](#)

## S

SCI  
   SCI [Preface-ix](#)  
 SCI-compatible peripheral [2-2](#)  
 Serial Communications Interface port [Preface-ix](#)  
 Serial Peripheral Interface port [Preface-ix](#)  
 SPI [2-2](#)  
   SPI [Preface-ix](#)  
 SRAM  
   external data [2-1](#)  
   external program [2-1](#)  
   SRAM [Preface-ix](#)  
 SSI [2-2](#)  
   SSI [Preface-ix](#)  
 Static Random Access Memory [Preface-ix](#)  
 Stereo 16-bit codec interface [2-1](#)  
 Stereo headphone interface [2-1](#)  
 Synchronous Serial Interface port [Preface-ix](#)

## W

Wait State [Preface-ix](#)  
 WS  
   WS [Preface-ix](#)





## **How to Reach Us:**

### **Home Page:**

www.freescale.com

### **E-mail:**

support@freescale.com

### **USA/Europe or Locations Not Listed:**

Freescale Semiconductor  
Technical Information Center, CH370  
1300 N. Alma School Road  
Chandler, Arizona 85224  
+1-800-521-6274 or +1-480-768-2130  
support@freescale.com

### **Europe, Middle East, and Africa:**

Freescale Halbleiter Deutschland GmbH  
Technical Information Center  
Schatzbogen 7  
81829 Muenchen, Germany  
+44 1296 380 456 (English)  
+46 8 52200080 (English)  
+49 89 92103 559 (German)  
+33 1 69 35 48 48 (French)  
support@freescale.com

### **Japan:**

Freescale Semiconductor Japan Ltd.  
Headquarters  
ARCO Tower 15F  
1-8-1, Shimo-Meguro, Meguro-ku,  
Tokyo 153-0064, Japan  
0120 191014 or +81 3 5437 9125  
support.japan@freescale.com

### **Asia/Pacific:**

Freescale Semiconductor Hong Kong Ltd.  
Technical Information Center  
2 Dai King Street  
Tai Po Industrial Estate  
Tai Po, N.T., Hong Kong  
+800 2666 8080  
support.asia@freescale.com

### **For Literature Requests Only:**

Freescale Semiconductor Literature Distribution Center  
P.O. Box 5405  
Denver, Colorado 80217  
1-800-441-2447 or 303-675-2140  
Fax: 303-675-2150  
LDCForFreescaleSemiconductor@hibbertgroup.com

Information in this document is provided solely to enable system and software implementers to use Freescale Semiconductor products. There are no express or implied copyright licenses granted hereunder to design or fabricate any integrated circuits or integrated circuits based on the information in this document.

Freescale Semiconductor reserves the right to make changes without further notice to any products herein. Freescale Semiconductor makes no warranty, representation or guarantee regarding the suitability of its products for any particular purpose, nor does Freescale Semiconductor assume any liability arising out of the application or use of any product or circuit, and specifically disclaims any and all liability, including without limitation consequential or incidental damages. "Typical" parameters that may be provided in Freescale Semiconductor data sheets and/or specifications can and do vary in different applications and actual performance may vary over time. All operating parameters, including "Typicals", must be validated for each customer application by customer's technical experts. Freescale Semiconductor does not convey any license under its patent rights nor the rights of others. Freescale Semiconductor products are not designed, intended, or authorized for use as components in systems intended for surgical implant into the body, or other applications intended to support or sustain life, or for any other application in which the failure of the Freescale Semiconductor product could create a situation where personal injury or death may occur. Should Buyer purchase or use Freescale Semiconductor products for any such unintended or unauthorized application, Buyer shall indemnify and hold Freescale Semiconductor and its officers, employees, subsidiaries, affiliates, and distributors harmless against all claims, costs, damages, and expenses, and reasonable attorney fees arising out of, directly or indirectly, any claim of personal injury or death associated with such unintended or unauthorized use, even if such claim alleges that Freescale Semiconductor was negligent regarding the design or manufacture of the part.



Freescale™ and the Freescale logo are trademarks of Freescale Semiconductor, Inc. All other product or service names are the property of their respective owners. This product incorporates SuperFlash® technology licensed from SST.

© Freescale Semiconductor, Inc. 2005. All rights reserved.

DSP56F827EVMUM  
Rev. 2  
07/2005