

# AMCLIB User's Guide

ARM<sup>®</sup> Cortex<sup>®</sup> M4



# Contents

<b>Chapter 1 Library</b> .....	<b>4</b>
1.1 Introduction.....	4
1.1.1 Overview.....	4
1.1.2 Data types.....	4
1.1.3 API definition.....	4
1.1.4 Supported compilers.....	5
1.1.5 Library configuration.....	5
1.1.6 Special issues.....	5
1.2 Library integration into project (MCUXpresso IDE) .....	5
1.3 Library integration into project (Keil µVision) .....	8
1.4 Library integration into project (IAR Embedded Workbench) .....	15
<b>Chapter 2 Algorithms in detail</b> .....	<b>22</b>
2.1 AMCLIB_AngleTrackObsrv.....	22
2.1.1 Available versions.....	24
2.1.2 AMCLIB_ANGLE_TRACK_OBSRV_T_F32.....	25
2.1.3 Declaration.....	26
2.1.4 Function use.....	26
2.2 AMCLIB_CtrlFluxWkng.....	27
2.2.1 Available versions.....	29
2.2.2 AMCLIB_CTRL_FLUX_WKNG_T_A32.....	30
2.2.3 Declaration.....	30
2.2.4 Function use.....	30
2.3 AMCLIB_PMSMBemfObsrvDQ.....	31
2.3.1 Available versions.....	34
2.3.2 AMCLIB_BEMF_OBSRV_DQ_T_A32 type description.....	35
2.3.3 Declaration.....	36
2.3.4 Function use.....	37
2.4 AMCLIB_PMSMBemfObsrvAB.....	37
2.4.1 Available versions.....	40
2.4.2 AMCLIB_BEMF_OBSRV_AB_T_A32 type description.....	41
2.4.3 Declaration.....	42
2.4.4 Function use.....	42
2.5 AMCLIB_TrackObsrv.....	43
2.5.1 Available versions.....	44
2.5.2 AMCLIB_TRACK_OBSRV_T_F32.....	45
2.5.3 Declaration.....	46
2.5.4 Function use.....	46
<b>Appendix A Library types</b> .....	<b>48</b>
A.1 bool_t.....	48
A.2 uint8_t.....	48
A.3 uint16_t.....	49
A.4 uint32_t.....	50
A.5 int8_t.....	50
A.6 int16_t.....	51
A.7 int32_t.....	51

A.8 frac8_t.....	52
A.9 frac16_t.....	53
A.10 frac32_t.....	53
A.11 acc16_t.....	54
A.12 acc32_t.....	55
A.13 GMCLIB_3COOR_T_F16.....	55
A.14 GMCLIB_2COOR_ALBE_T_F16.....	56
A.15 GMCLIB_2COOR_DQ_T_F16.....	56
A.16 GMCLIB_2COOR_DQ_T_F32.....	56
A.17 GMCLIB_2COOR_SINCOS_T_F16.....	57
A.18 FALSE.....	57
A.19 TRUE.....	57
A.20 FRAC8.....	58
A.21 FRAC16.....	58
A.22 FRAC32.....	58
A.23 ACC16.....	59
A.24 ACC32.....	59

# Chapter 1

## Library

### 1.1 Introduction

#### 1.1.1 Overview

This user's guide describes the Advanced Motor Control Library (AMCLIB) for the family of ARM Cortex M4 core-based microcontrollers. This library contains optimized functions.

#### 1.1.2 Data types

AMCLIB supports several data types: (un)signed integer, fractional, and accumulator. The integer data types are useful for general-purpose computation; they are familiar to the MPU and MCU programmers. The fractional data types enable powerful numeric and digital-signal-processing algorithms to be implemented. The accumulator data type is a combination of both; that means it has the integer and fractional portions.

The following list shows the integer types defined in the libraries:

- **Unsigned 16-bit integer**—<0 ; 65535> with the minimum resolution of 1
- **Signed 16-bit integer**—<-32768 ; 32767> with the minimum resolution of 1
- **Unsigned 32-bit integer**—<0 ; 4294967295> with the minimum resolution of 1
- **Signed 32-bit integer**—<-2147483648 ; 2147483647> with the minimum resolution of 1

The following list shows the fractional types defined in the libraries:

- **Fixed-point 16-bit fractional**—<-1 ;  $1 - 2^{-15}$ > with the minimum resolution of  $2^{-15}$
- **Fixed-point 32-bit fractional**—<-1 ;  $1 - 2^{-31}$ > with the minimum resolution of  $2^{-31}$

The following list shows the accumulator types defined in the libraries:

- **Fixed-point 16-bit accumulator**—<-256.0 ;  $256.0 - 2^{-7}$ > with the minimum resolution of  $2^{-7}$
- **Fixed-point 32-bit accumulator**—<-65536.0 ;  $65536.0 - 2^{-15}$ > with the minimum resolution of  $2^{-15}$

#### 1.1.3 API definition

AMCLIB uses the types mentioned in the previous section. To enable simple usage of the algorithms, their names use set prefixes and postfixes to distinguish the functions' versions. See the following example:

```
f32Result = MLIB_Mac_F32lss(f32Accum, f16Mult1, f16Mult2);
```

where the function is compiled from four parts:

- **MLIB**—this is the library prefix
- **Mac**—the function name—Multiply-Accumulate
- **F32**—the function output type
- **lss**—the types of the function inputs; if all the inputs have the same type as the output, the inputs are not marked

The input and output types are described in the following table:

Table 1. Input/output types

Type	Output	Input
<a href="#">frac16_t</a>	F16	s
<a href="#">frac32_t</a>	F32	l
<a href="#">acc32_t</a>	A32	a

### 1.1.4 Supported compilers

AMCLIB for the ARM Cortex M4 core is written in C language or assembly language with C-callable interface depending on the specific function. The library is built and tested using the following compilers:

- MCUXpresso IDE
- IAR Embedded Workbench
- Keil  $\mu$ Vision

For the MCUXpresso IDE, the library is delivered in the *amclib.a* file.

For the Kinetis Design Studio, the library is delivered in the *amclib.a* file.

For the IAR Embedded Workbench, the library is delivered in the *amclib.a* file.

For the Keil  $\mu$ Vision, the library is delivered in the *amclib.lib* file.

The interfaces to the algorithms included in this library are combined into a single public interface include file, *amclib.h*. This is done to lower the number of files required to be included in your application.

### 1.1.5 Library configuration

AMCLIB for the ARM Cortex M4 core is written in C language or assembly language with C-callable interface depending on the specific function. Some functions from this library are inline type, which are compiled together with project using this library. The optimization level for inline function is usually defined by the specific compiler setting. It can cause an issue especially when high optimization level is set. Therefore the optimization level for all inline assembly written functions is defined by compiler pragmas using macros. The configuration header file *RTCESL\_cfg.h* is located in: *specific library folder\MLIB\Include*. The optimization level can be changed by modifying the macro value for specific compiler. In case of any change the library functionality is not guaranteed.

### 1.1.6 Special issues

1. The equations describing the algorithms are symbolic. If there is positive 1, the number is the closest number to 1 that the resolution of the used fractional type allows. If there are maximum or minimum values mentioned, check the range allowed by the type of the particular function version.
2. The library functions that round the result (the API contains Rnd) round to nearest (half up).
3. This RTCESL requires the DSP extension for some saturation functions. If the core does not support the DSP extension feature the assembler code of the RTCESL will not be buildable. For example the core1 of the LPC55s69 has no DSP extension.

## 1.2 Library integration into project (MCUXpresso IDE)

This section provides a step-by-step guide on how to quickly and easily include AMCLIB into any MCUXpresso SDK example or new SDK project using MCUXpresso IDE. The SDK based project uses RTCESL from SDK package.

## Adding RTCESL component to project

The MCUXpresso SDK package is necessary to add any example or new project and RTCESL component. In case the package has not been downloaded go to [mcuxpresso.nxp.com](http://mcuxpresso.nxp.com), build the final MCUXpresso SDK package for required board and download it.

After package is downloaded, open the MCUXpresso IDE and drag&drop the SDK package in zip format to the Installed SDK window of the MCUXpresso IDE. After SDK package is dropped the message accepting window appears as can be show in following figure.

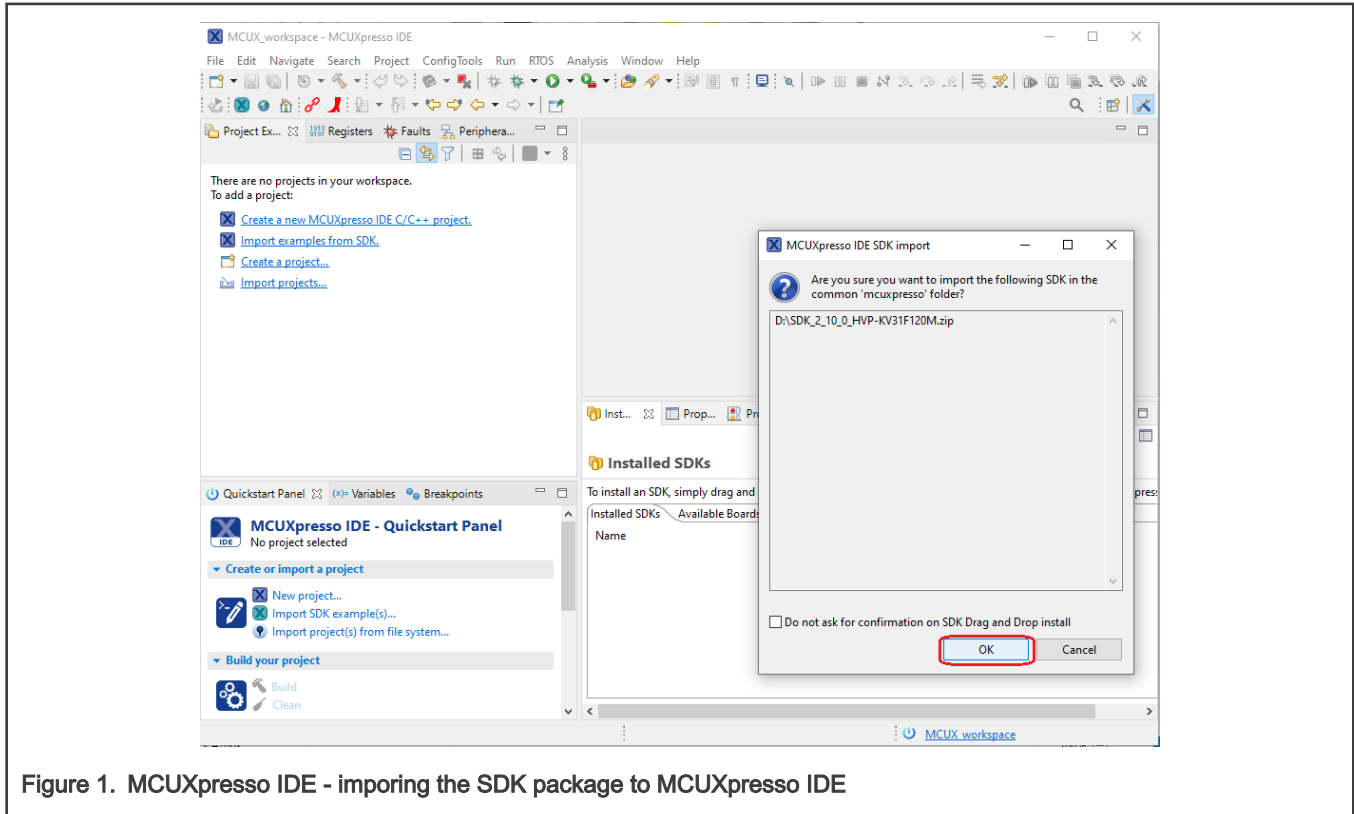


Figure 1. MCUXpresso IDE - importing the SDK package to MCUXpresso IDE

Click OK to confirm the SDK package import. Find the Quickstart panel in left bottom part of the MCUXpresso IDE and click New project... item or Import SDK example(s)... to add rtcesl component to the project.

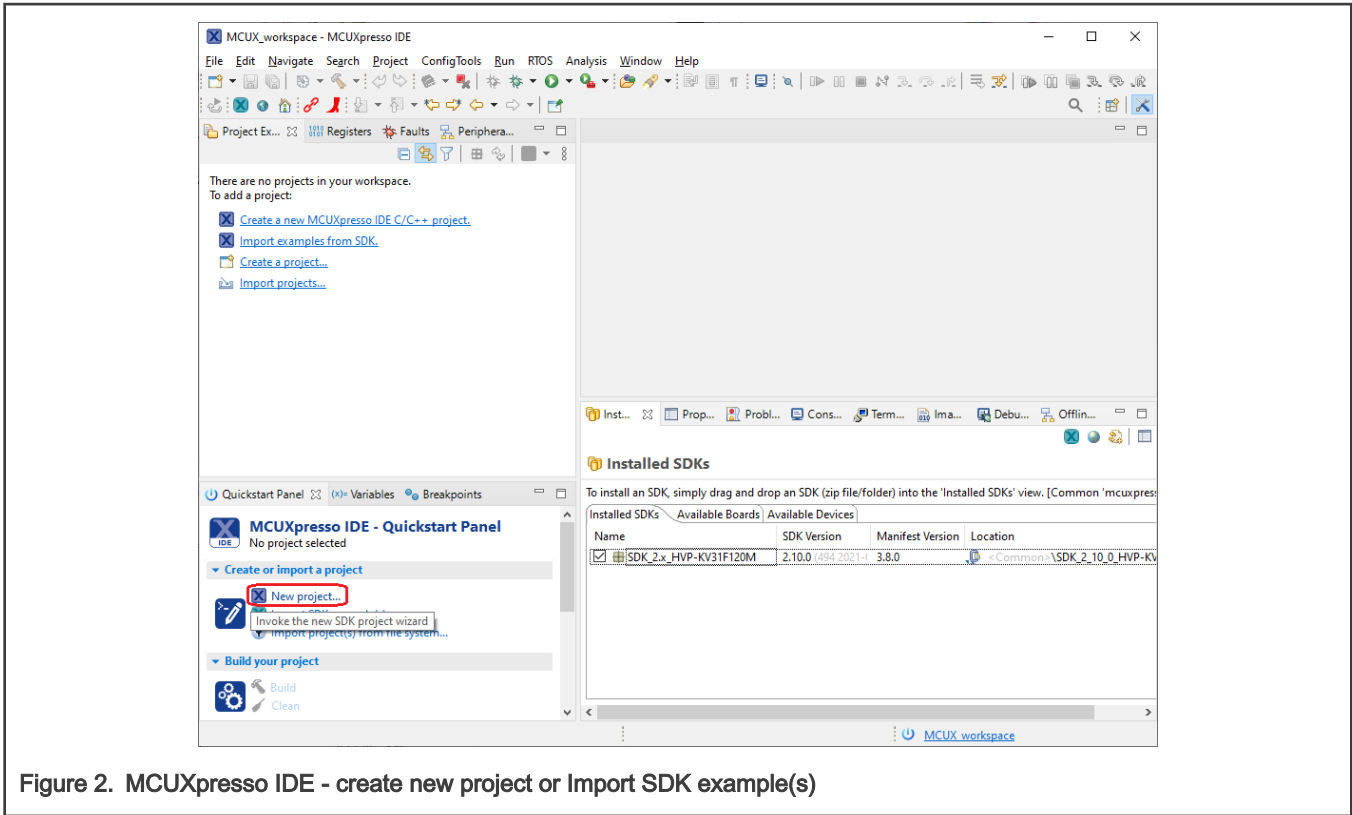


Figure 2. MCUXpresso IDE - create new project or Import SDK example(s)

Then select your board, and click Next button.

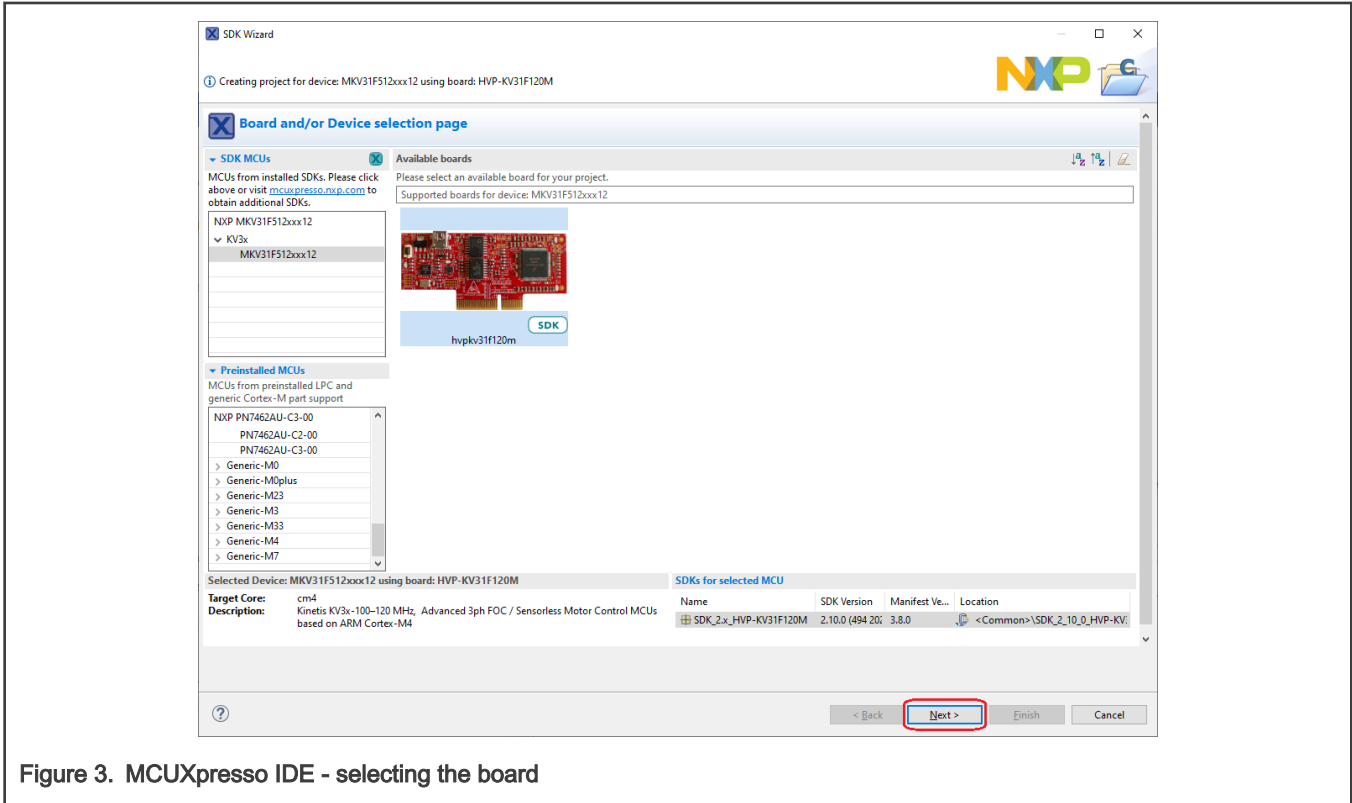


Figure 3. MCUXpresso IDE - selecting the board

Find the Middleware tab in the Components part of the window and click on the checkbox to be the rtcesl component ticked. Last step is to click the Finish button and wait for project creating with all RTCESL libraries and include paths.

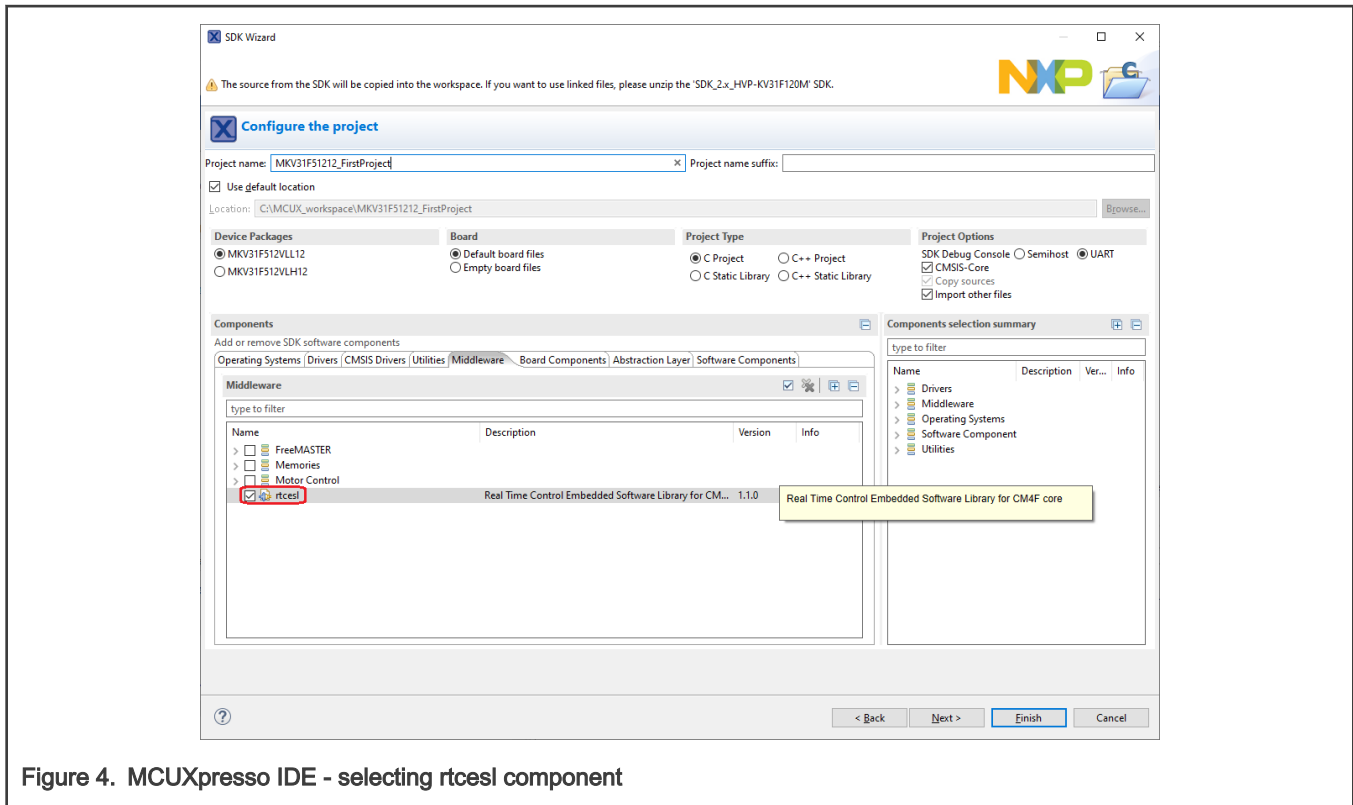


Figure 4. MCUXpresso IDE - selecting rtcesl component

Type the `#include` syntax into the code where you want to call the library functions. In the left-hand dialog, open the required .c file. After the file opens, include the following lines into the `#include` section:

```
#include "mlib.h"
#include "gflib.h"
#include "gdflib.h"
#include "gmclib.h"
#include "amclib.h"
```

When you click the Build icon (hammer), the project is compiled without errors.

### 1.3 Library integration into project (Keil $\mu$ Vision)

This section provides a step-by-step guide on how to quickly and easily include AMCLIB into an empty project or any MCUXpresso SDK example or demo application projects using Keil  $\mu$ Vision. This example uses the default installation path (C:\NXP\RTCESL\CM4\_RTCESL\_4.6\_KEIL). If you have a different installation path, use that path instead. If any MCUXpresso SDK project is intended to use (for example hello\_world project) go to [Linking the files into the project](#) chapter otherwise read next chapter.

#### NXP pack installation for new project (without MCUXpresso SDK)

This example uses the NXP MKV46F256xxx15 part, and the default installation path (C:\NXP\RTCESL\CM4\_RTCESL\_4.6\_KEIL) is supposed. If the compiler has never been used to create any NXP MCU-based projects before, check whether the NXP MCU pack for the particular device is installed. Follow these steps:

1. Launch Keil  $\mu$ Vision.
2. In the main menu, go to Project > Manage > Pack Installer....
3. In the left-hand dialog (under the Devices tab), expand the All Devices > Freescale (NXP) node.
4. Look for a line called "KVxx Series" and click it.



5. In the right-hand dialog (under the Packs tab), expand the Device Specific node.
6. Look for a node called "Keil::Kinetis\_KVxx\_DFP." If there are the Install or Update options, click the button to install/update the package. See [Figure 5](#).
7. When installed, the button has the "Up to date" title. Now close the Pack Installer.

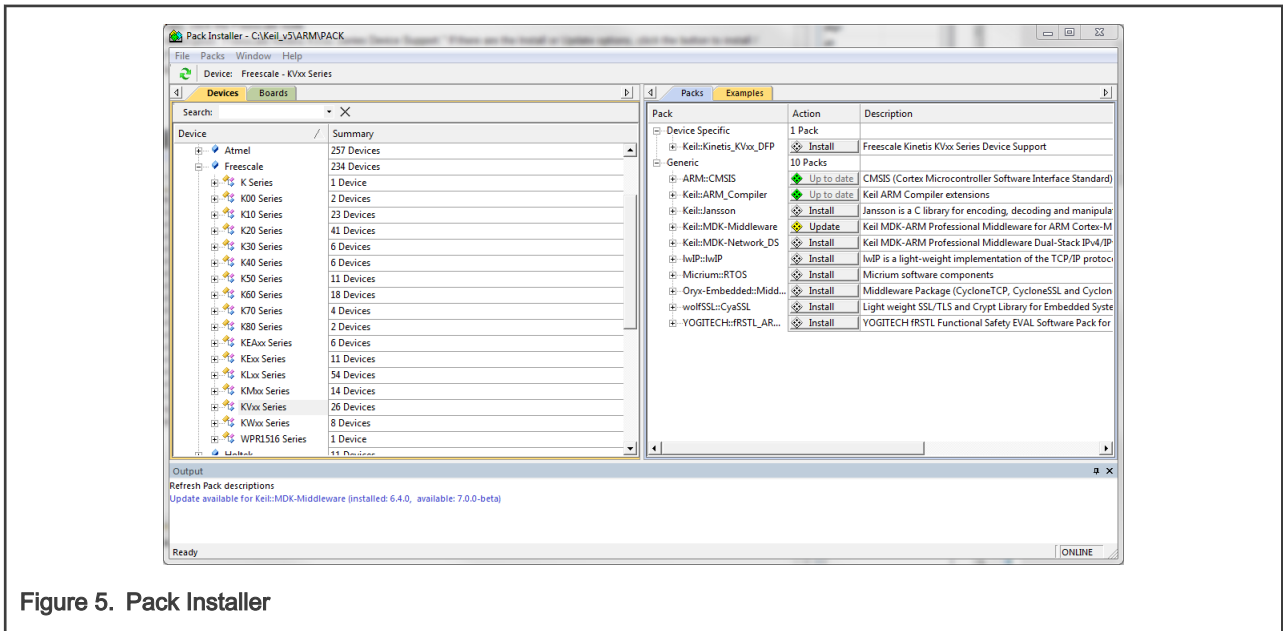


Figure 5. Pack Installer

### New project (without MCUXpresso SDK)

To start working on an application, create a new project. If the project already exists and is opened, skip to the next section. Follow these steps to create a new project:

1. Launch Keil  $\mu$ Vision.
2. In the main menu, select Project > New  $\mu$ Vision Project..., and the Create New Project dialog appears.
3. Navigate to the folder where you want to create the project, for example C:\KeilProjects\MyProject01. Type the name of the project, for example MyProject01. Click Save. See [Figure 6](#).

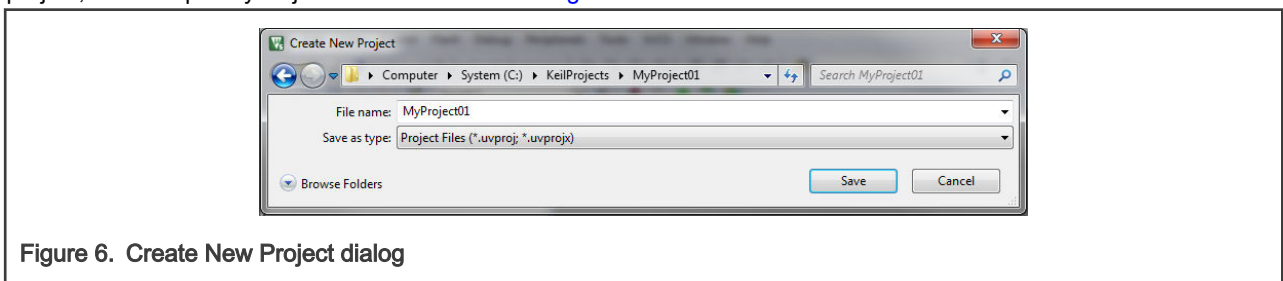


Figure 6. Create New Project dialog

4. In the next dialog, select the Software Packs in the very first box.
5. Type 'kv4' into the Search box, so that the device list is reduced to the KV4x devices.
6. Expand the KV4x node.
7. Click the MKV46F256xxx15 node, and then click OK. See [Figure 7](#).

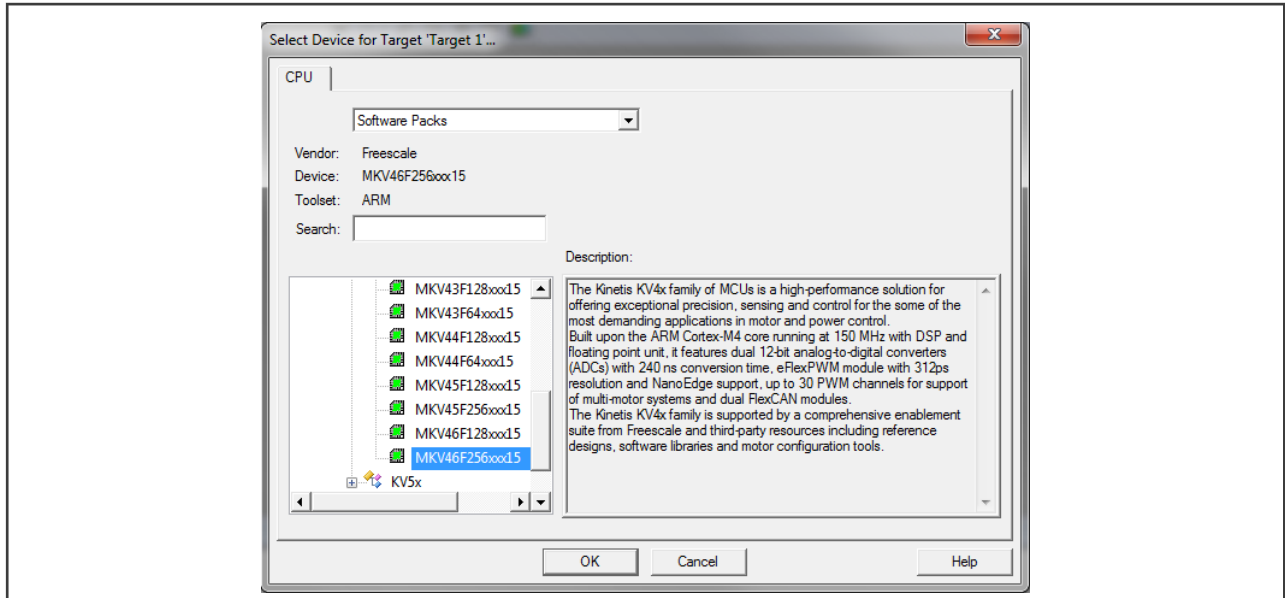


Figure 7. Select Device dialog

8. In the next dialog, expand the Device node, and tick the box next to the Startup node. See Figure 8.
9. Expand the CMSIS node, and tick the box next to the CORE node.

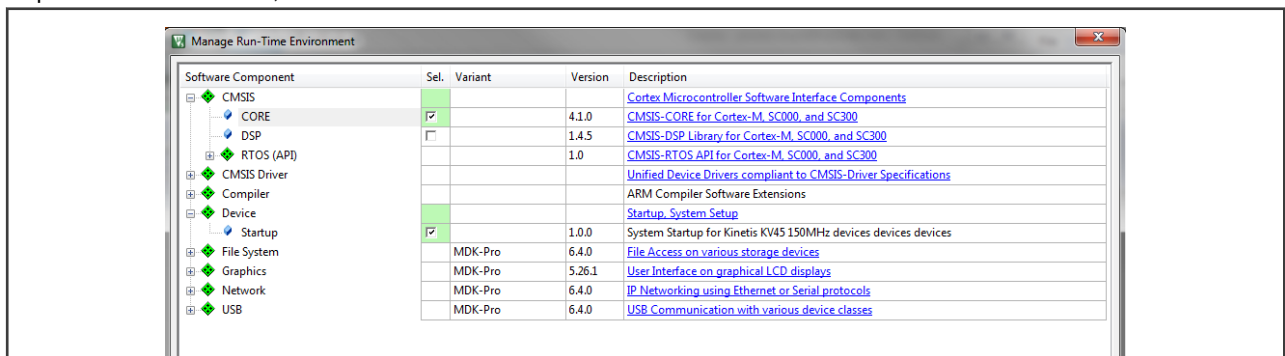


Figure 8. Manage Run-Time Environment dialog

10. Click OK, and a new project is created. The new project is now visible in the left-hand part of Keil µVision. See Figure 9.

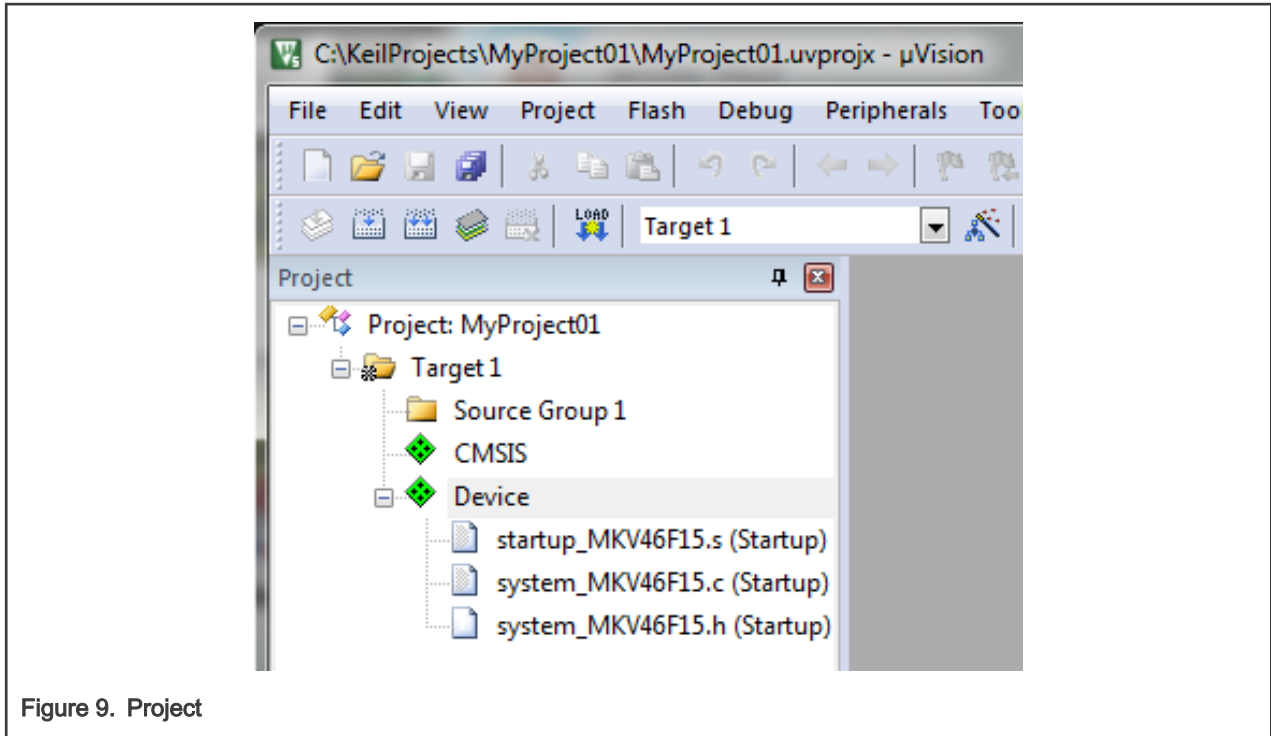


Figure 9. Project

11. In the main menu, go to Project > Options for Target 'Target1'..., and a dialog appears.
12. Select the Target tab.
13. Select Not Used in the Floating Point Hardware option. See [Figure 9](#).

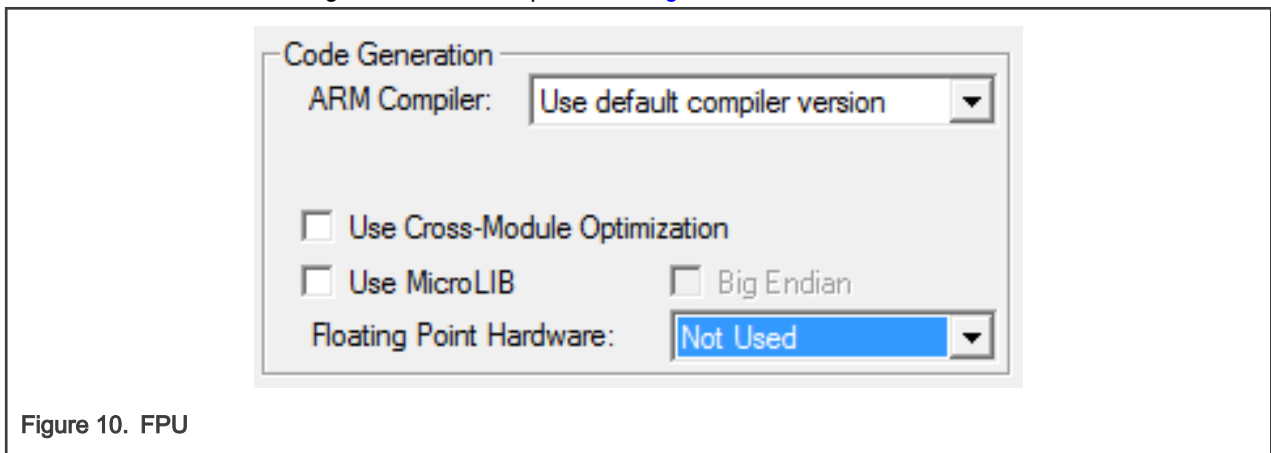


Figure 10. FPU

### Linking the files into the project

AMCLIB requires MLIB and GDFLIB and GFLIB and GMCLIB to be included too. The following steps show how to include all dependent modules.

To include the library files in the project, create groups and add them.

1. Right-click the Target 1 node in the left-hand part of the Project tree, and select Add Group... from the menu. A new group with the name New Group is added.
2. Click the newly created group, and press F2 to rename it to RTCESL.
3. Right-click the RTCESL node, and select Add Existing Files to Group 'RTCESL'... from the menu.

- Navigate into the library installation folder `C:\NXP\RTCESL\CM4_RTCESL_4.6_KEIL\MLIB\Include`, and select the `mlib.h` file. If the file does not appear, set the Files of type filter to Text file. Click Add. See [Figure 11](#).

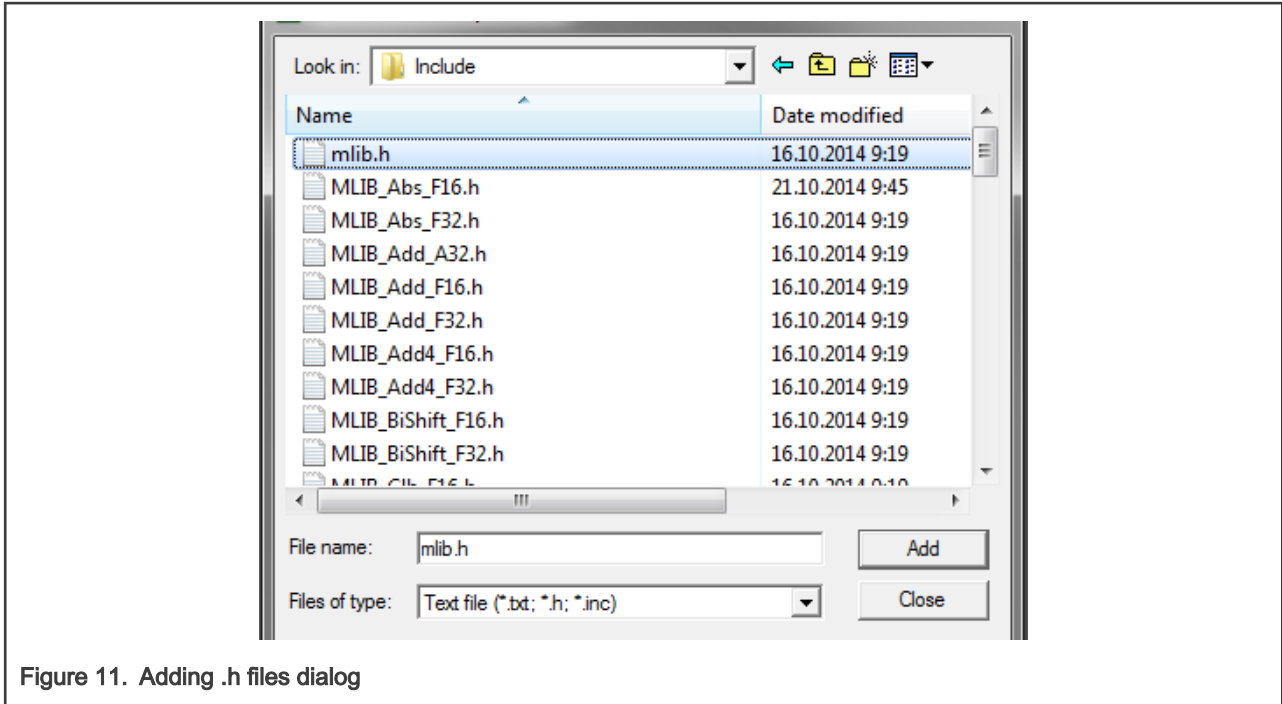


Figure 11. Adding .h files dialog

- Navigate to the parent folder `C:\NXP\RTCESL\CM4_RTCESL_4.6_KEIL\MLIB`, and select the `mlib.lib` file. If the file does not appear, set the Files of type filter to Library file. Click Add. See [Figure 12](#).

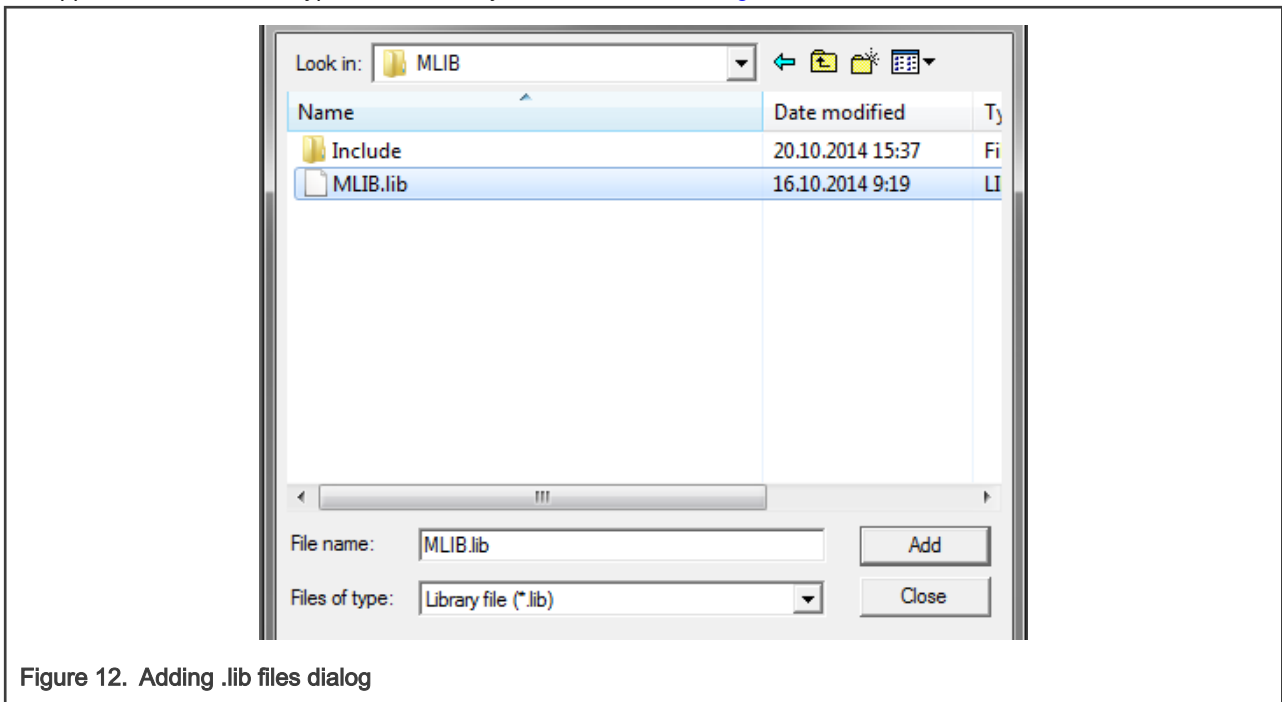


Figure 12. Adding .lib files dialog

- Navigate into the library installation folder `C:\NXP\RTCESL\CM4_RTCESL_4.6_KEIL\GFLIB\Include`, and select the `gflib.h` file. If the file does not appear, set the Files of type filter to Text file. Click Add.
- Navigate to the parent folder `C:\NXP\RTCESL\CM4_RTCESL_4.6_KEIL\GFLIB`, and select the `gflib.lib` file. If the file does not appear, set the Files of type filter to Library file. Click Add.

8. Navigate into the library installation folder C:\NXP\RTCESL\CM4\_RTCESL\_4.6\_KEIL\GDFLIB\Include, and select the *gdfli.h* file. If the file does not appear, set the Files of type filter to Text file. Click Add.
9. Navigate to the parent folder C:\NXP\RTCESL\CM4\_RTCESL\_4.6\_KEIL\GDFLIB, and select the *gdfli.lib* file. If the file does not appear, set the Files of type filter to Library file. Click Add.
10. Navigate into the library installation folder C:\NXP\RTCESL\CM4\_RTCESL\_4.6\_KEIL\GMCLIB\Include, and select the *gmcli.h* file. If the file does not appear, set the Files of type filter to Text file. Click Add.
11. Navigate to the parent folder C:\NXP\RTCESL\CM4\_RTCESL\_4.6\_KEIL\GMCLIB, and select the *gmcli.lib* file. If the file does not appear, set the Files of type filter to Library file. Click Add.
12. Navigate into the library installation folder C:\NXP\RTCESL\CM4\_RTCESL\_4.6\_KEIL\AMCLIB\Include, and select the *amcli.h* file. If the file does not appear, set the Files of type filter to Text file. Click Add.
13. Navigate to the parent folder C:\NXP\RTCESL\CM4\_RTCESL\_4.6\_KEIL\AMCLIB, and select the *amcli.lib* file. If the file does not appear, set the Files of type filter to Library file. Click Add.
14. Now, all necessary files are in the project tree; see [Figure 13](#). Click Close.

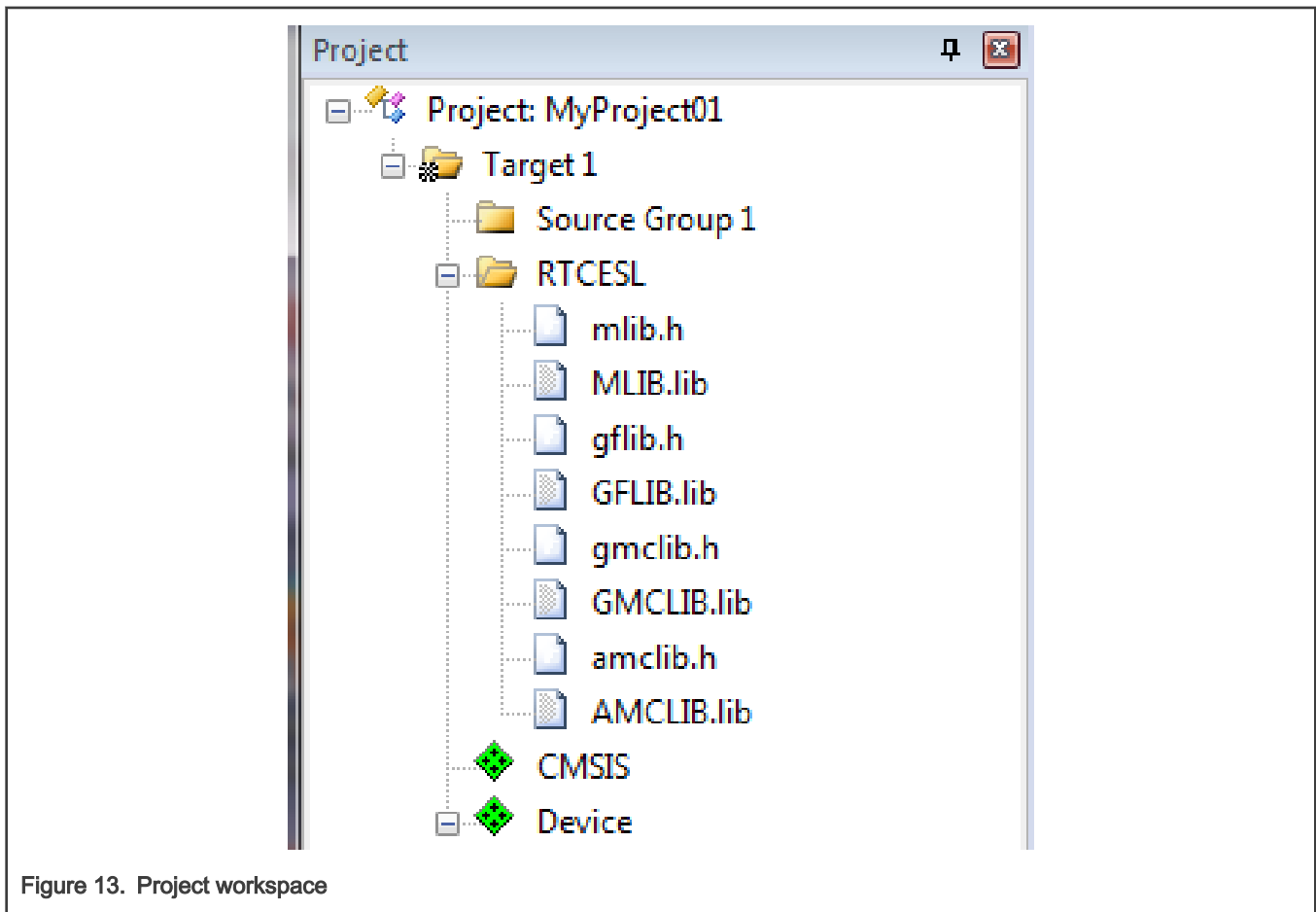


Figure 13. Project workspace

### Library path setup

The following steps show the inclusion of all dependent modules.

1. In the main menu, go to Project > Options for Target 'Target1'..., and a dialog appears.
2. Select the C/C++ tab. See [Figure 14](#).
3. In the Include Paths text box, type the following paths (if there are more paths, they must be separated by ';') or add them by clicking the ... button next to the text box:

- "C:\NXP\RTCESL\CM4\_RTCESL\_4.6\_KEIL\MLIB\Include"
  - "C:\NXP\RTCESL\CM4\_RTCESL\_4.6\_KEIL\GFLIB\Include"
  - "C:\NXP\RTCESL\CM4\_RTCESL\_4.6\_KEIL\GDFLIB\Include"
  - "C:\NXP\RTCESL\CM4\_RTCESL\_4.6\_KEIL\GMCLIB\Include"
  - "C:\NXP\RTCESL\CM4\_RTCESL\_4.6\_KEIL\AMCLIB\Include"
4. Click OK.
  5. Click OK in the main dialog.

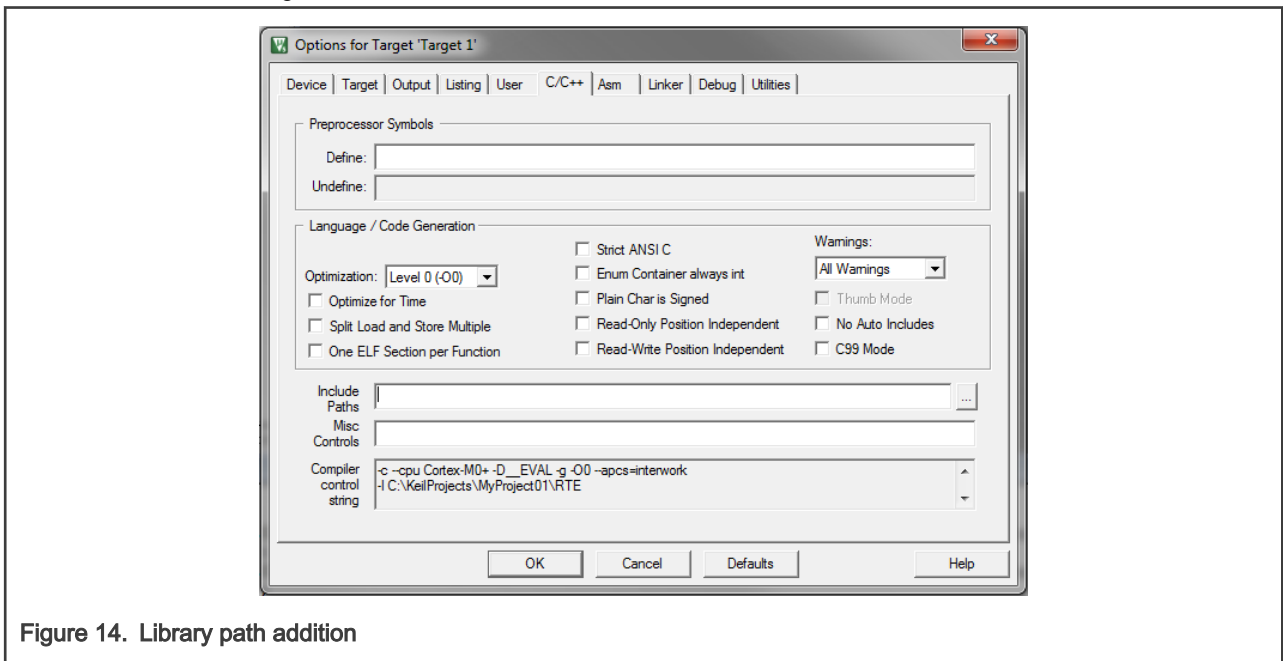


Figure 14. Library path addition

Type the `#include` syntax into the code. Include the library into a source file. In the new project, it is necessary to create a source file:

1. Right-click the Source Group 1 node, and Add New Item to Group 'Source Group 1'... from the menu.
2. Select the C File (.c) option, and type a name of the file into the Name box, for example '*main.c*'. See [Figure 15](#).

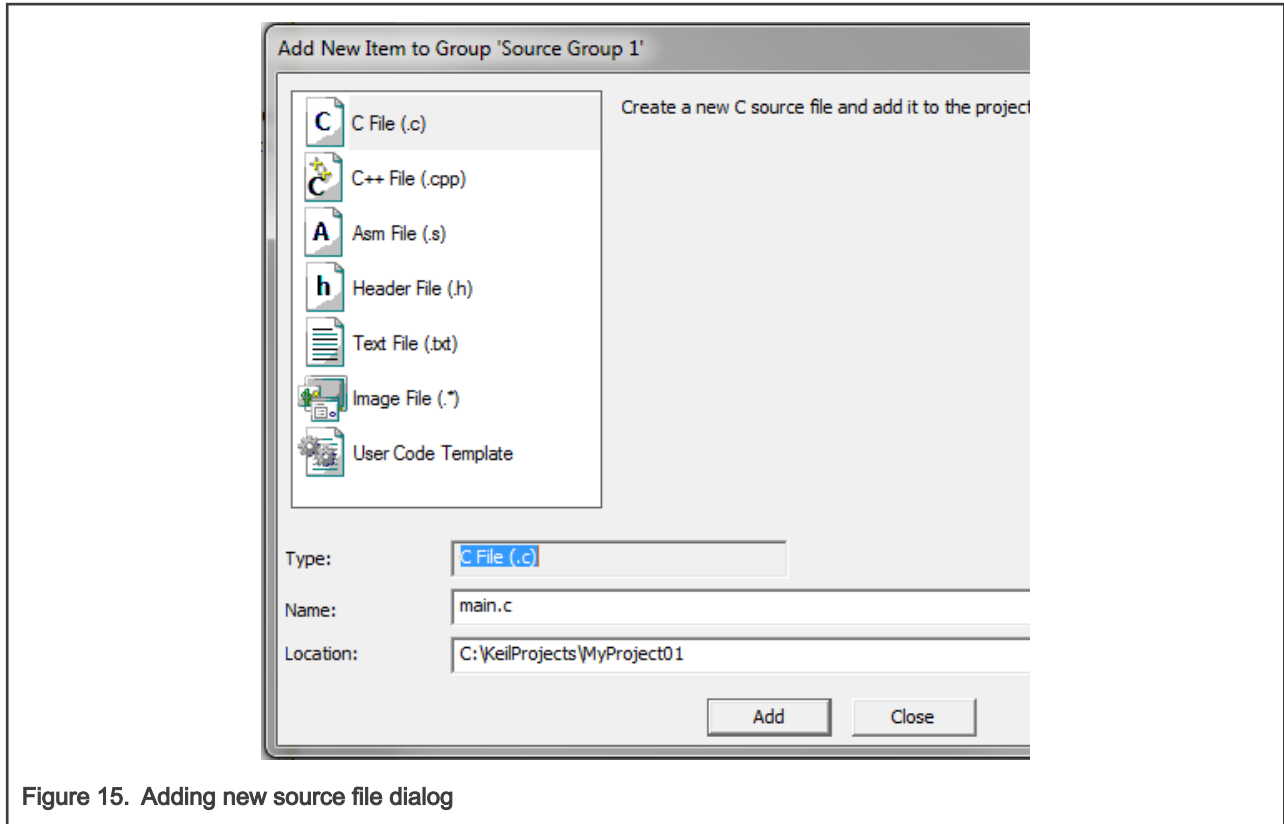


Figure 15. Adding new source file dialog

3. Click Add, and a new source file is created and opened up.
4. In the opened source file, include the following lines into the #include section, and create a main function:

```
#include "mlib.h"
#include "gflib.h"
#include "gdflib.h"
#include "gmclib.h"
#include "amclib.h"

int main(void)
{
    while(1);
}
```

When you click the Build (F7) icon, the project will be compiled without errors.

## 1.4 Library integration into project (IAR Embedded Workbench)

This section provides a step-by-step guide on how to quickly and easily include the AMCLIB into an empty project or any MCUXpresso SDK example or demo application projects using IAR Embedded Workbench. This example uses the default installation path (C:\NXP\RTCESL\CM4\_RTCESL\_4.6\_IAR). If you have a different installation path, use that path instead. If any MCUXpresso SDK project is intended to use (for example hello\_world project) go to [Linking the files into the project](#) chapter otherwise read next chapter.

### New project (without MCUXpresso SDK)

This example uses the NXP MKV46F256xxx15 part, and the default installation path (C:\NXP\RTCESL\CM4\_RTCESL\_4.6\_IAR) is supposed. To start working on an application, create a new project. If the project already exists and is opened, skip to the next section. Perform these steps to create a new project:

1. Launch IAR Embedded Workbench.
2. In the main menu, select Project > Create New Project... so that the "Create New Project" dialog appears. See [Figure 16](#).

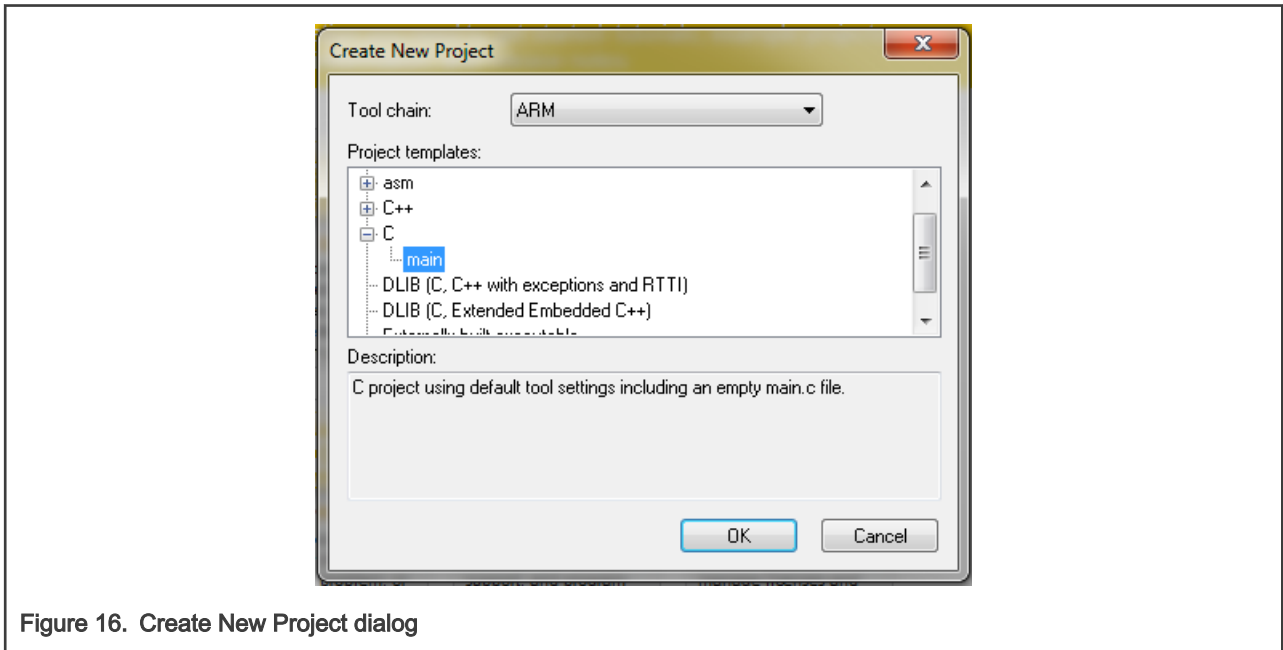


Figure 16. Create New Project dialog

3. Expand the C node in the tree, and select the "main" node. Click OK.
4. Navigate to the folder where you want to create the project, for example, C:\IARProjects\MyProject01. Type the name of the project, for example, MyProject01. Click Save, and a new project is created. The new project is now visible in the left-hand part of IAR Embedded Workbench. See [Figure 17](#).

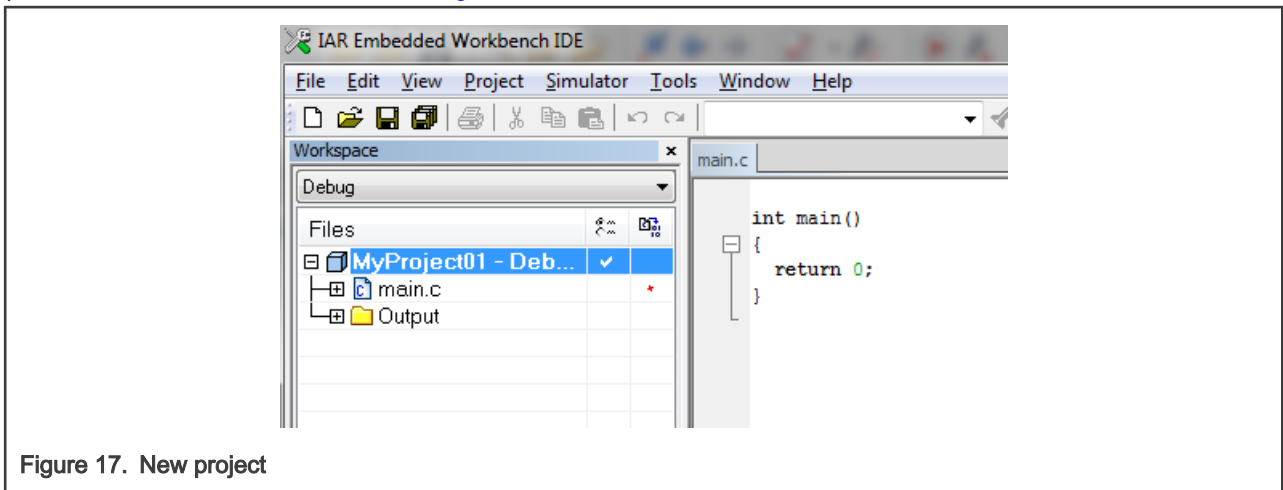


Figure 17. New project

5. In the main menu, go to Project > Options..., and a dialog appears.
6. In the Target tab, select the Device option, and click the button next to the dialog to select the MCU. In this example, select NXP > KV4x > NXP MKV46F256xxx15. Select None in the FPU option. Click OK. See [Figure 18](#).



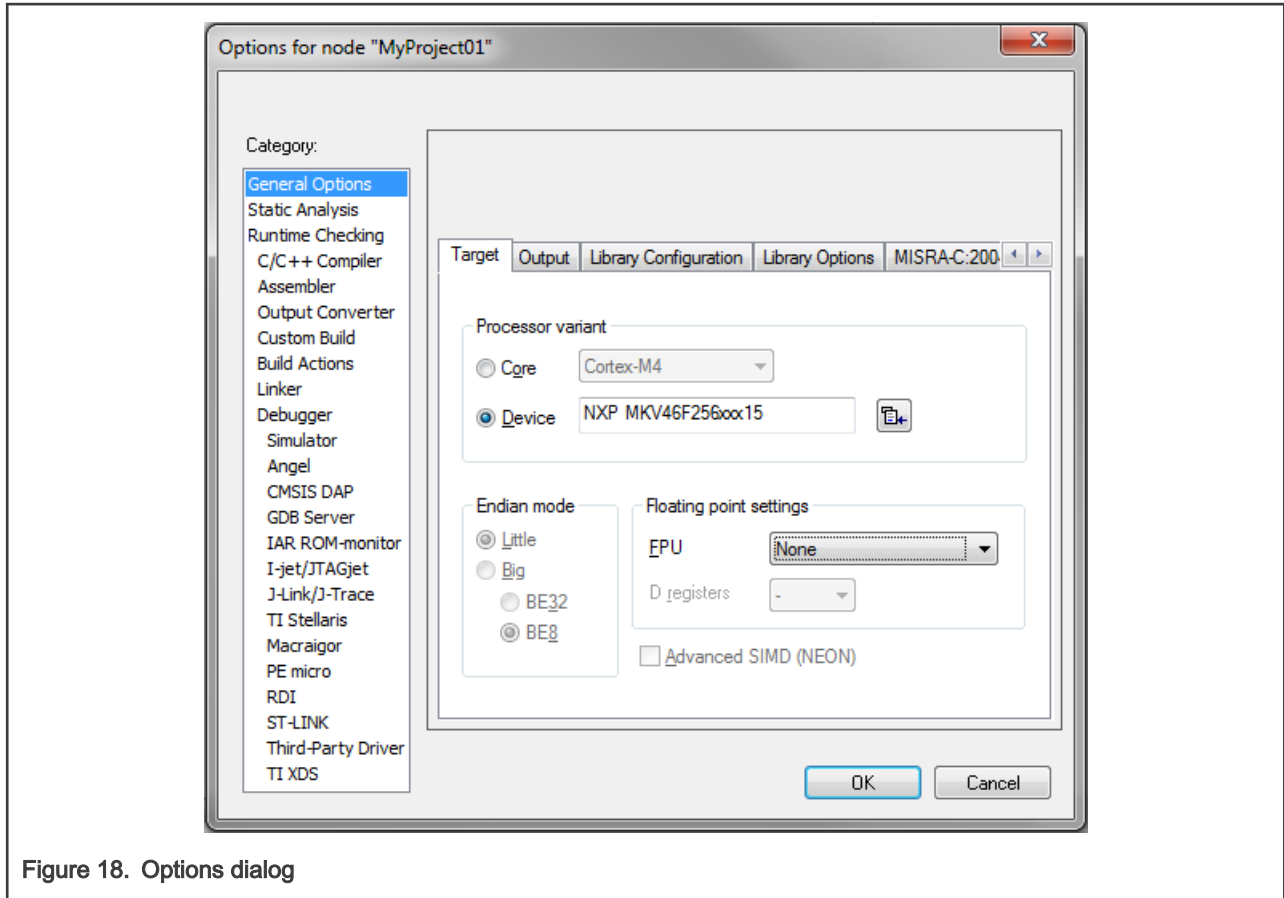


Figure 18. Options dialog

### Library path variable

To make the library integration easier, create a variable that will hold the information about the library path.

1. In the main menu, go to Tools > Configure Custom Argument Variables..., and a dialog appears.
2. Click the New Group button, and another dialog appears. In this dialog, type the name of the group PATH, and click OK. See [Figure 19](#).

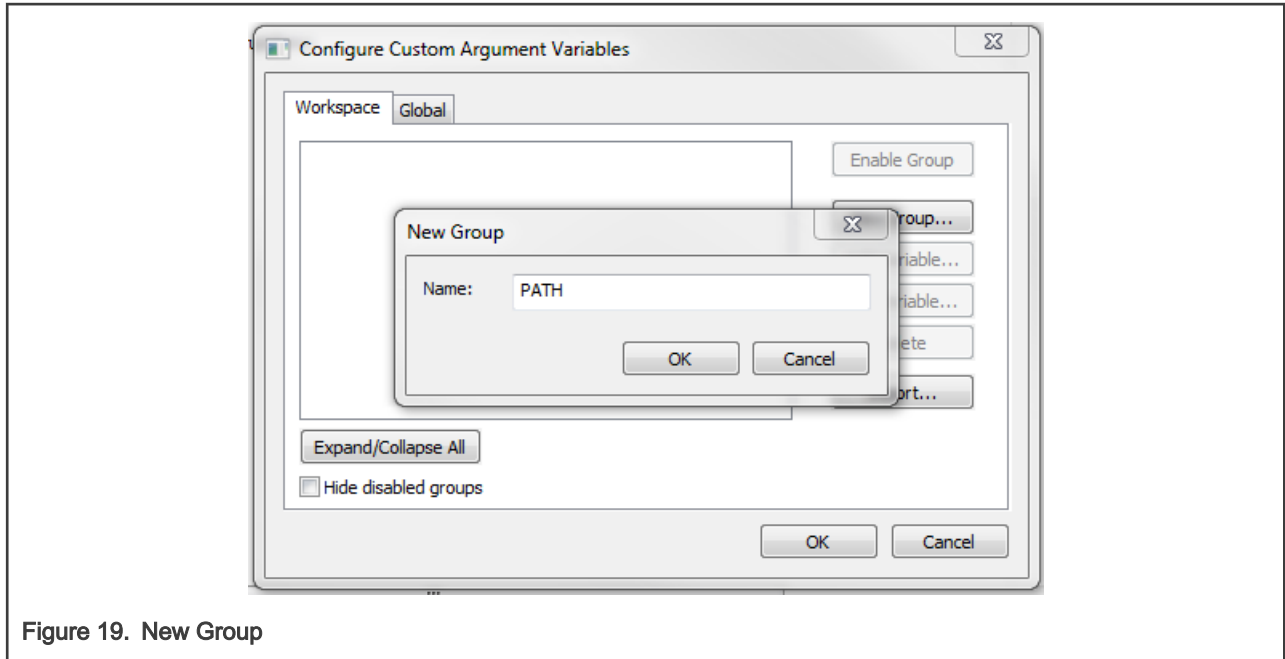


Figure 19. New Group

3. Click on the newly created group, and click the Add Variable button. A dialog appears.
4. Type this name: RTCESL\_LOC
5. To set up the value, look for the library by clicking the '...' button, or just type the installation path into the box: C:\NXP\RTCESL\CM4\_RTCESL\_4.6\_IAR. Click OK.
6. In the main dialog, click OK. See [Figure 20](#).

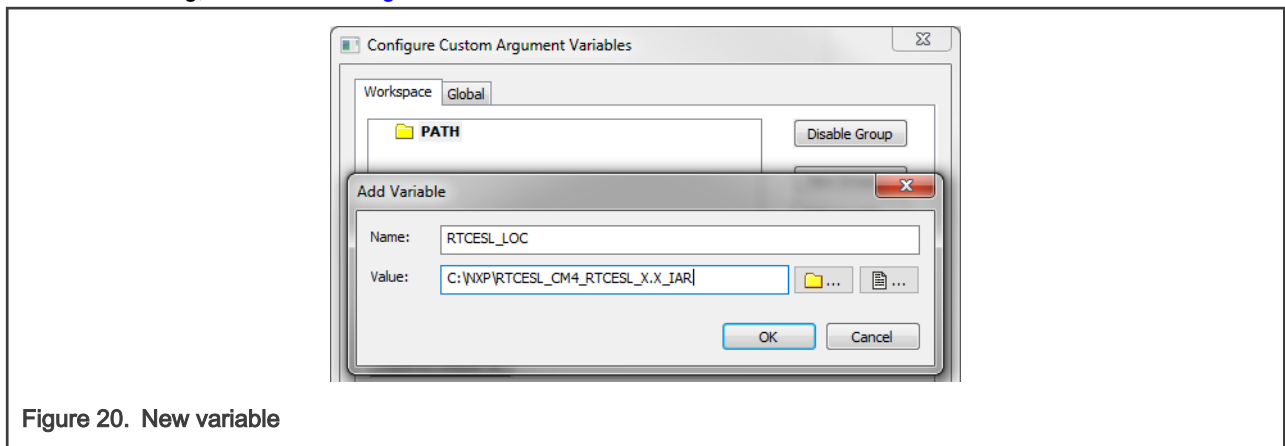


Figure 20. New variable

### Linking the files into the project

AMCLIB requires MLIB and GDFLIB and GFLIB and GMCLIB to be included too. The following steps show the inclusion of all dependent modules.

To include the library files into the project, create groups and add them.

1. Go to the main menu Project > Add Group...
2. Type RTCESL, and click OK.
3. Click on the newly created node RTCESL, go to Project > Add Group..., and create a MLIB subgroup.
4. Click on the newly created node MLIB, and go to the main menu Project > Add Files... See [Figure 22](#).

5. Navigate into the library installation folder C:\NXP\RTCESL\CM4\_RTCESL\_4.6\_IAR\MLIB\Include, and select the *mlib.h* file. (If the file does not appear, set the file-type filter to Source Files.) Click Open. See [Figure 21](#).
6. Navigate into the library installation folder C:\NXP\RTCESL\CM4\_RTCESL\_4.6\_IAR\MLIB, and select the *mlib.a* file. If the file does not appear, set the file-type filter to Library / Object files. Click Open.

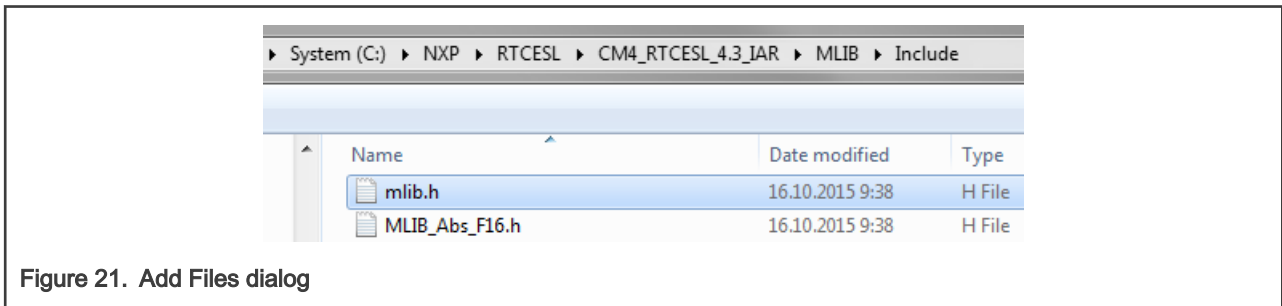


Figure 21. Add Files dialog

7. Click on the RTCESL node, go to Project > Add Group..., and create a GFLIB subgroup.
8. Click on the newly created node GFLIB, and go to the main menu Project > Add Files....
9. Navigate into the library installation folder C:\NXP\RTCESL\CM4\_RTCESL\_4.6\_IAR\GFLIB\Include, and select the *gflib.h* file. (If the file does not appear, set the file-type filter to Source Files.) Click Open.
10. Navigate into the library installation folder C:\NXP\RTCESL\CM4\_RTCESL\_4.6\_IAR\GFLIB, and select the *gflib.a* file. If the file does not appear, set the file-type filter to Library / Object files. Click Open.
11. Click on the RTCESL node, go to Project > Add Group..., and create a GDFLIB subgroup.
12. Click on the newly created node GDFLIB, and go to the main menu Project > Add Files....
13. Navigate into the library installation folder C:\NXP\RTCESL\CM4\_RTCESL\_4.6\_IAR\GDFLIB\Include, and select the *gdflib.h* file. (If the file does not appear, set the file-type filter to Source Files.) Click Open.
14. Navigate into the library installation folder C:\NXP\RTCESL\CM4\_RTCESL\_4.6\_IAR\GDFLIB, and select the *gdflib.a* file. If the file does not appear, set the file-type filter to Library / Object files. Click Open.
15. Click on the RTCESL node, go to Project > Add Group..., and create a GMCLIB subgroup.
16. Click on the newly created node GMCLIB, and go to the main menu Project > Add Files....
17. Navigate into the library installation folder C:\NXP\RTCESL\CM4\_RTCESL\_4.6\_IAR\GMCLIB\Include, and select the *gmclib.h* file. If the file does not appear, set the file-type filter to Source Files. Click Open.
18. Navigate into the library installation folder C:\NXP\RTCESL\CM4\_RTCESL\_4.6\_IAR\GMCLIB, and select the *gmclib.a* file. If the file does not appear, set the file-type filter to Library / Object files. Click Open.
19. Click on the RTCESL node, go to Project > Add Group..., and create an AMCLIB subgroup.
20. Click on the newly created node AMCLIB, and go to the main menu Project > Add Files....
21. Navigate into the library installation folder C:\NXP\RTCESL\CM4\_RTCESL\_4.6\_IAR\AMCLIB\Include, and select the *amclib.h* file. If the file does not appear, set the file-type filter to Source Files. Click Open.
22. Navigate into the library installation folder C:\NXP\RTCESL\CM4\_RTCESL\_4.6\_IAR\AMCLIB, and select the *amclib.a* file. If the file does not appear, set the file-type filter to Library / Object files. Click Open.
23. Now you will see the files added in the workspace. See [Figure 22](#).

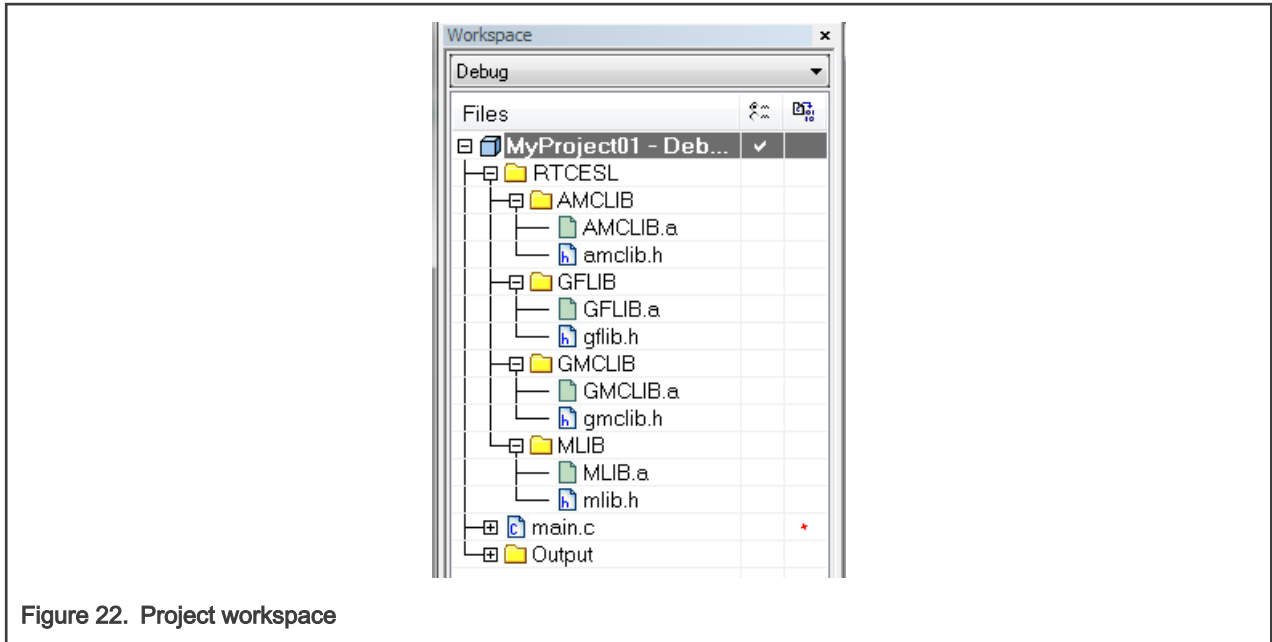


Figure 22. Project workspace

### Library path setup

The following steps show the inclusion of all dependent modules:

1. In the main menu, go to Project > Options..., and a dialog appears.
2. In the left-hand column, select C/C++ Compiler.
3. In the right-hand part of the dialog, click on the Preprocessor tab (it can be hidden in the right; use the arrow icons for navigation).
4. In the text box (at the Additional include directories title), type the following folder (using the created variable):
  - \$RTCESL\_LOC\$MLIB\Include
  - \$RTCESL\_LOC\$GFLIB\Include
  - \$RTCESL\_LOC\$GDFLIB\Include
  - \$RTCESL\_LOC\$GMCLIB\Include
  - \$RTCESL\_LOC\$AMCLIB\Include
5. Click OK in the main dialog. See [Figure 23](#).

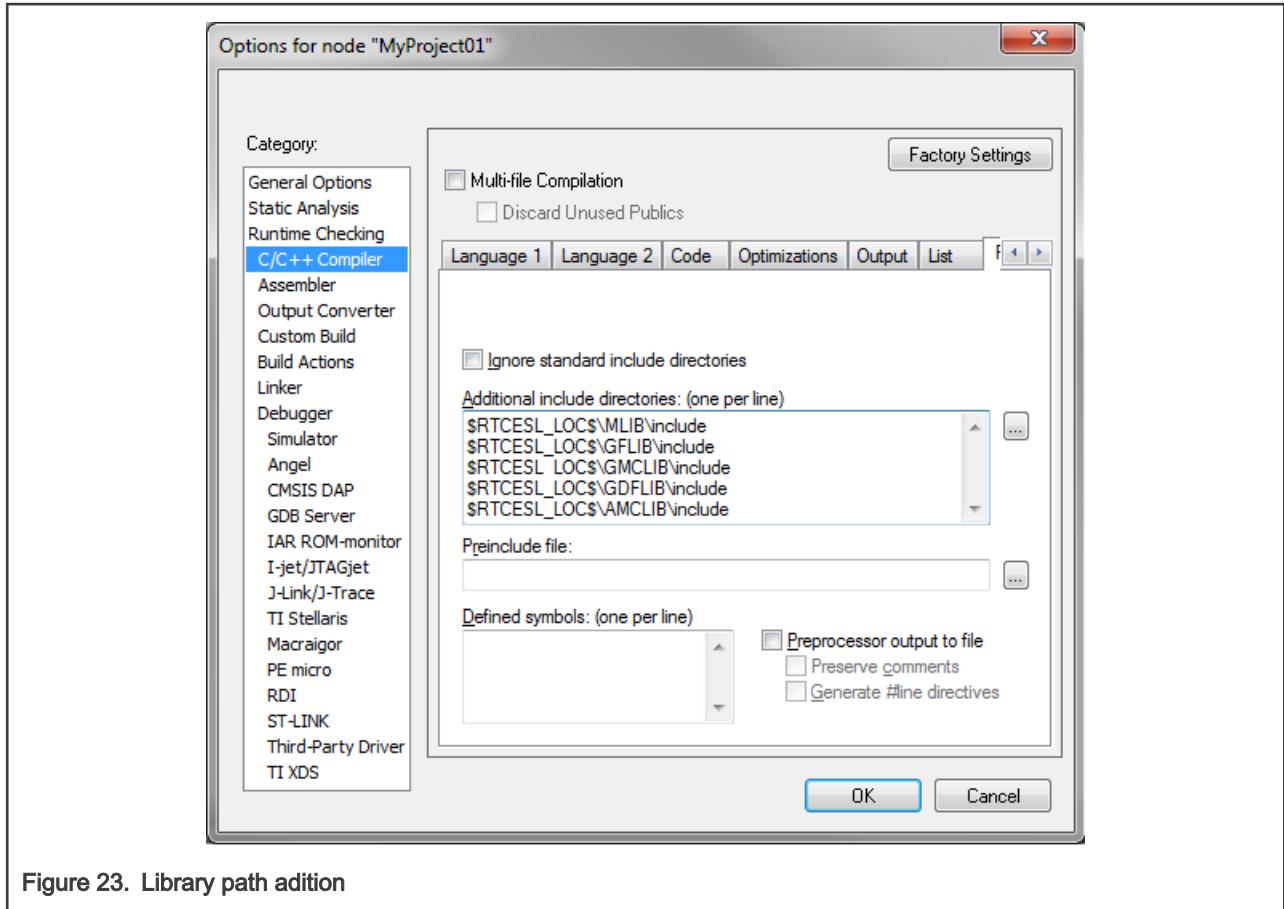


Figure 23. Library path addition

Type the `#include` syntax into the code. Include the library included into the `main.c` file. In the workspace tree, double-click the `main.c` file. After the `main.c` file opens up, include the following lines into the `#include` section:

```
#include "mlib.h"
#include "gflib.h"
#include "gdfplib.h"
#include "gmclib.h"
#include "amclib.h"
```

When you click the Make icon, the project will be compiled without errors.

# Chapter 2

## Algorithms in detail

### 2.1 AMCLIB\_AngleTrackObsrv

The [AMCLIB\\_TrackObsrv](#) function calculates an angle-tracking observer for determination of angular speed and position of the input signal. It requires two input arguments as sine and cosine samples. The practical implementation of the angle-tracking observer algorithm is described below.

The angle-tracking observer compares values of the input signals -  $\sin(\theta)$ ,  $\cos(\theta)$  with their corresponding estimations. As in any common closed-loop systems, the intent is to minimize the observer error towards zero value. The observer error is given here by subtracting the estimated resolver rotor angle from the actual rotor angle.

The tracking-observer algorithm uses the phase-locked loop mechanism. It is recommended to call this function at every sampling period. It requires a single input argument as phase error. A phase-tracking observer with standard PI controller used as the loop compensator is shown in [Figure 1](#).

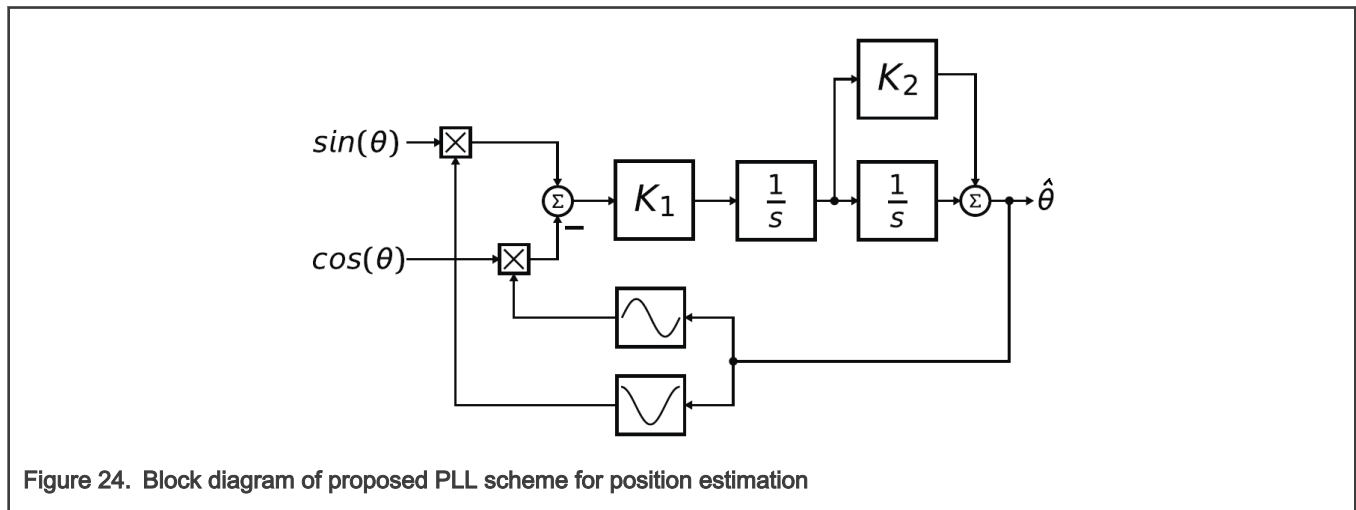


Figure 24. Block diagram of proposed PLL scheme for position estimation

Note that the mathematical expression of the observer error is known as the formula of the difference between two angles:

$$\sin(\theta - \hat{\theta}) = \sin(\theta) \cdot \cos(\hat{\theta}) - \cos(\theta) \cdot \sin(\hat{\theta})$$

If the deviation between the estimated and the actual angle is very small, then the observer error may be expressed using the following equation:

$$\sin(\theta - \hat{\theta}) \approx \theta - \hat{\theta}$$

The primary benefit of the angle-tracking observer utilization, in comparison with the trigonometric method, is its smoothing capability. This filtering is achieved by the integrator and the proportional and integral controllers, which are connected in series and closed by a unit feedback loop. This block diagram tracks the actual rotor angle and speed, and continuously updates their estimations. The angle-tracking observer transfer function is expressed as follows:

$$\frac{\hat{\theta}(s)}{\theta(s)} = \frac{K_I(1 + sK_2)}{s^2 + sK_IK_2 + K_I}$$

The characteristic polynomial of the angle-tracking observer corresponds to the denominator of the following transfer function:

$$s^2 + sK_IK_2 + K_I$$

Appropriate dynamic behavior of the angle-tracking observer is achieved by the placement of the poles of characteristic polynomial. This general method is based on matching the coefficients of characteristic polynomial with the coefficients of a general second-order system.

The analog integrators in the previous figure (marked as 1 / s) are replaced by an equivalent of the discrete-time integrator using the backward Euler integration method. The discrete-time block diagram of the angle-tracking observer is shown in the following figure:

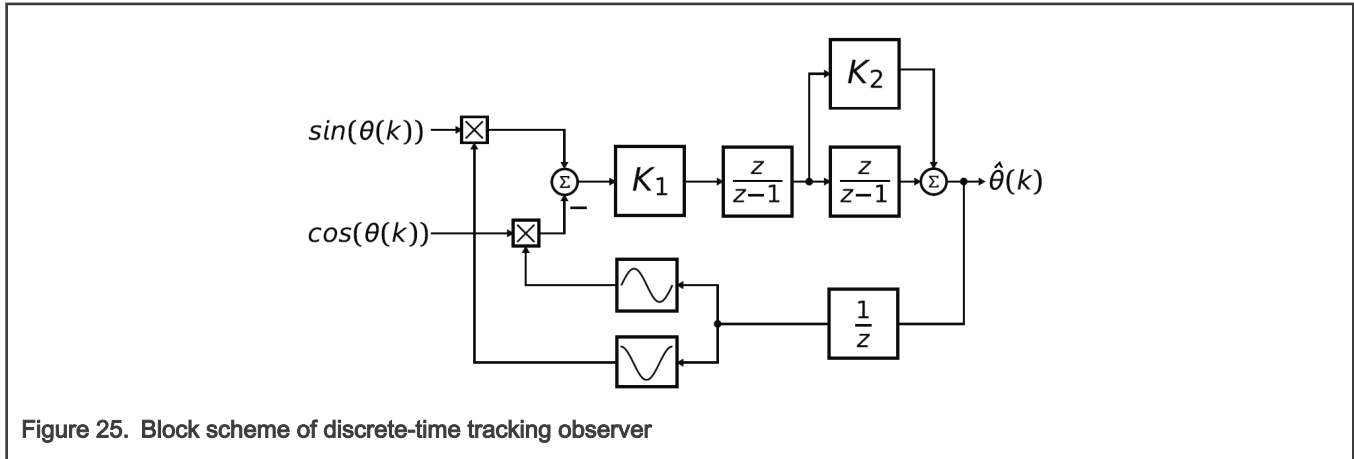


Figure 25. Block scheme of discrete-time tracking observer

The essential equations for implementing the angle-tracking observer (according to this block scheme) are as follows:

$e(k) = \sin(\theta(k)) \cdot \cos(\hat{\theta}(k - 1)) - \cos(\theta(k)) \cdot \sin(\hat{\theta}(k - 1))$
$\omega(k) = T_s \cdot K_1 \cdot e(k) + \omega(k - 1)$
$a_2(k) = T_s \cdot \omega(k) + a_2(k - 1)$
$\hat{\theta}(k) = K_2 \cdot \omega(k) + a_2(k)$

where:

- $K_1$  is the integral gain of the I controller
- $K_2$  is the proportional gain of the PI controller
- $T_s$  is the sampling period [s]
- $e(k)$  is the position error in step k
- $\omega(k)$  is the rotor speed [rad / s] in step k
- $\omega(k - 1)$  is the rotor speed [rad / s] in step k - 1
- $a_2(k)$  is the integral output of the PI controller [rad / s] in step k
- $a_2(k - 1)$  is the integral output of the PI controller [rad / s] in step k - 1
- $\theta(k)$  is the rotor angle [rad] in step k
- $\theta(k - 1)$  is the rotor angle [rad] in step k - 1
- $\hat{\theta}(k)$  is the estimated rotor angle [rad] in step k
- $\hat{\theta}(k - 1)$  is the estimated rotor angle [rad] in step k - 1

In the fractional arithmetic, [AMCLIB\\_AngleTrackObsrv\\_Eq5](#) to [AMCLIB\\_AngleTrackObsrv\\_Eq8](#) are as follows:

$\omega_{sc}(k) \cdot \omega_{max} = T_s \cdot K_I \cdot e(k) + \omega_{sc}(k-1) \cdot \omega_{max}$
$a_{2sc}(k) \cdot \theta_{max} = T_s \cdot \omega_{sc}(k) \cdot \omega_{max} + a_{2sc}(k-1) \cdot \theta_{max}$
$\hat{\theta}_{sc}(k) \cdot \theta_{max} = K_2 \cdot \omega_{sc}(k) \cdot \omega_{max} + a_{2sc}(k) \cdot \theta_{max}$

where:

- $e_{sc}(k)$  is the scaled position error in step k
- $\omega_{sc}(k)$  is the scaled rotor speed [rad / s] in step k
- $\omega_{sc}(k - 1)$  is the scaled rotor speed [rad / s] in step k - 1
- $a_{sc}(k)$  is the integral output of the PI controller [rad / s] in step k
- $a_{sc}(k - 1)$  is the integral output of the PI controller [rad / s] in step k - 1
- $\theta_{sc}(k)$  is the scaled rotor angle [rad] in step k
- $\theta_{sc}(k - 1)$  is the scaled rotor angle [rad] in step k - 1
- $\theta_{sc}(k)$  is the scaled rotor angle [rad] in step k
- $\theta_{sc}(k - 1)$  is the scaled rotor angle [rad] in step k - 1
- $\omega_{max}$  is the maximum speed
- $\theta_{max}$  is the maximum rotor angle (typically  $\pi$ )

### 2.1.1 Available versions

The function is available in the following versions:

- Fractional output - the output is the fractional portion of the result; the result is within the range <-1 ; 1).

The available versions of the [AMCLIB\\_AngleTrackObsrv](#) function are shown in the following table:

**Table 2. Init versions**

Function name	Init angle	Parameters	Result type
AMCLIB_AngleTrackObsrvInit_F16	frac16_t	AMCLIB_ANGLE_TRACK_OBSRV_T_F32 *	void
The input is a 16-bit fractional value of the angle normalized to the range <-1 ; 1) that represents an angle in (radians) within the range <-\pi ; \pi).			

**Table 3. Function versions**

Function name	Input type	Parameters	Result type
AMCLIB_AngleTrackObsrv_F16	GMCLIB_2COOR_SINCOS_T_F16 *	AMCLIB_ANGLE_TRACK_OBSRV_T_F32 *	frac16_t
Angle-tracking observer with a two-component (sin/cos) 16-bit fractional position input within the range <-1 ; 1). The output from the observer is a 16-bit fractional position normalized to the range <-1 ; 1) that represents an angle (in radians) within the range <-\pi ; \pi).			



### 2.1.2 AMCLIB\_ANGLE\_TRACK\_OBSRV\_T\_F32

Variable name	Input type	Description
f32Speed	frac32_t	Estimated speed as the output of the first numerical integrator. The parameter is within the range <-1 ; 1). Controlled by the AMCLIB_AngleTrackObsrv_F16 algorithm; cleared by the AMCLIB_AngleTrackObsrvInit_F16 function.
f32A2	frac32_t	Output of the second numerical integrator. The parameter is within the range <-1 ; 1). Controlled by the AMCLIB_AngleTrackObsrv_F16 and AMCLIB_AngleTrackObsrvInit_F16 algorithms.
f16Theta	frac16_t	Estimated position as the output of the observer. The parameter is normalized to the range <-1 ; 1) that represents an angle (in radians) within the range <-π ; π). Controlled by the AMCLIB_AngleTrackObsrv_F16 and AMCLIB_AngleTrackObsrvInit_F16 algorithms.
f16SinEstim	frac16_t	Sine of the estimated position as the output of the actual step. Keeps the sine of the position for the next step. The parameter is within the range <-1 ; 1). Controlled by the AMCLIB_AngleTrackObsrv_F16 and AMCLIB_AngleTrackObsrvInit_F16 algorithms.
f16CosEstim	frac16_t	Cosine of the estimated position as the output of the actual step. Keeps the cosine of the position for the next step. The parameter is within the range <-1 ; 1). Controlled by the AMCLIB_AngleTrackObsrv_F16 and AMCLIB_AngleTrackObsrvInit_F16 algorithms.
f16K1Gain	frac16_t	Observer K1 gain is set up according to Equation 9 as: $T_s \cdot K_1 \cdot \frac{1}{\omega_{max}} \cdot 2^{-K1sh}$ The parameter is a 16-bit fractional type within the range <0 ; 1). Set by the user.
i16K1GainSh	int16_t	Observer K2 gain shift takes care of keeping the f16K1Gain variable within the fractional range <-1 ; 1). The shift is determined as: $\log_2(T_s \cdot K_1 \cdot \frac{1}{\omega_{max}}) - \log_2 1 < K1sh \leq \log_2(T_s \cdot K_1 \cdot \frac{1}{\omega_{max}}) - \log_2 0.5$ The parameter is a 16-bit integer type within the range <-15 ; 15>. Set by the user.
f16K2Gain	frac16_t	Observer K2 gain is set up according to Equation 11 as: $K_2 \cdot \frac{\omega_{max}}{\theta_{max}} \cdot 2^{-K2sh}$ The parameter is a 16-bit fractional type within the range <0 ; 1). Set by the user.
i16K2GainSh	int16_t	Observer K2 gain shift takes care of keeping the f16K2Gain variable within the fractional range <-1 ; 1). The shift is determined as: $\log_2(K_2 \cdot \frac{\omega_{max}}{\theta_{max}}) - \log_2 1 < K2sh \leq \log_2(K_2 \cdot \frac{\omega_{max}}{\theta_{max}}) - \log_2 0.5$ The parameter is a 16-bit integer type within the range <-15 ; 15>. Set by the user.
f16A2Gain	frac16_t	Observer A2 gain for the output position is set up according to Equation 10 as: $T_s \cdot \frac{\omega_{max}}{\theta_{max}} \cdot 2^{-A2sh}$ The parameter is a 16-bit fractional type within the range <0 ; 1). Set by the user.
i16A2GainSh	int16_t	Observer A2 gain shift for the position integrator takes care of keeping the f16A2Gain variable within the fractional range <-1 ; 1). The shift is determined as:

Table continues on the next page...

Table continued from the previous page...

Variable name	Input type	Description
		$\log_2(T_s \cdot \frac{\omega_{max}}{\theta_{max}}) - \log_2 1 < A2sh \leq \log_2(T_s \cdot \frac{\omega_{max}}{\theta_{max}}) - \log_2 0.5$ <p>The parameter is a 16-bit integer type within the range &lt;-15 ; 15&gt;. Set by the user.</p>

### 2.1.3 Declaration

The available `AMCLIB_AngleTrackObsrvInit` functions have the following declarations:

```
void AMCLIB_AngleTrackObsrvInit_F16(frac16_t f16ThetaInit, AMCLIB_ANGLE_TRACK_OBSRV_T_F32 *psCtrl)
```

The available `AMCLIB_AngleTrackObsrv` functions have the following declarations:

```
frac16_t AMCLIB_AngleTrackObsrv_F16(const GMCLIB_2COOR_SINCOS_T_F16 *psAnglePos,
AMCLIB_ANGLE_TRACK_OBSRV_T_F32 *psCtrl)
```

### 2.1.4 Function use

The use of the `AMCLIB_AngleTrackObsrvInit` and `AMCLIB_AngleTrackObsrv` functions is shown in the following example:

```
#include "amclib.h"

static AMCLIB_ANGLE_TRACK_OBSRV_T_F32 sAto;
static GMCLIB_2COOR_SINCOS_T_F16 sAnglePos;
static frac16_t f16PositionEstim, f16PositionInit;

void Isr(void);

void main(void)
{
    sAto.f16K1Gain = FRAC16(0.6434);
    sAto.i16K1GainSh = -9;
    sAto.f16K2Gain = FRAC16(0.6801);
    sAto.i16K2GainSh = -2;
    sAto.f16A2Gain = FRAC16(0.6400);
    sAto.i16A2GainSh = -4;

    f16PositionInit = FRAC16(0.0);

    AMCLIB_AngleTrackObsrvInit_F16(f16PositionInit, &sAto);

    sAnglePos.f16Sin = FRAC16(0.0);
    sAnglePos.f16Cos = FRAC16(1.0);
}
```

```

/* Periodical function or interrupt */
void Isr(void)
{
    /* Angle tracking observer calculation */
    fl6PositionEstim = AMCLIB_AngleTrackObsrv_Fl6(&sAnglePos, &sAto);
}
    
```

## 2.2 AMCLIB\_CtrFluxWkng

The [AMCLIB\\_CtrFluxWkng](#) function controls the motor magnetizing flux for a speed exceeding above the nominal speed of the motor. Where a higher maximum motor speed is required, the flux (field) weakening technique must be used. The basic task of the function is to maintain the motor magnetizing flux below the nominal level which does not require a higher supply voltage when the motor rotates above the nominal motor speed. The lower magnetizing flux is provided by maintaining the flux-producing current component  $i_D$  in the flux-weakening region, as shown in [Figure 1](#)).

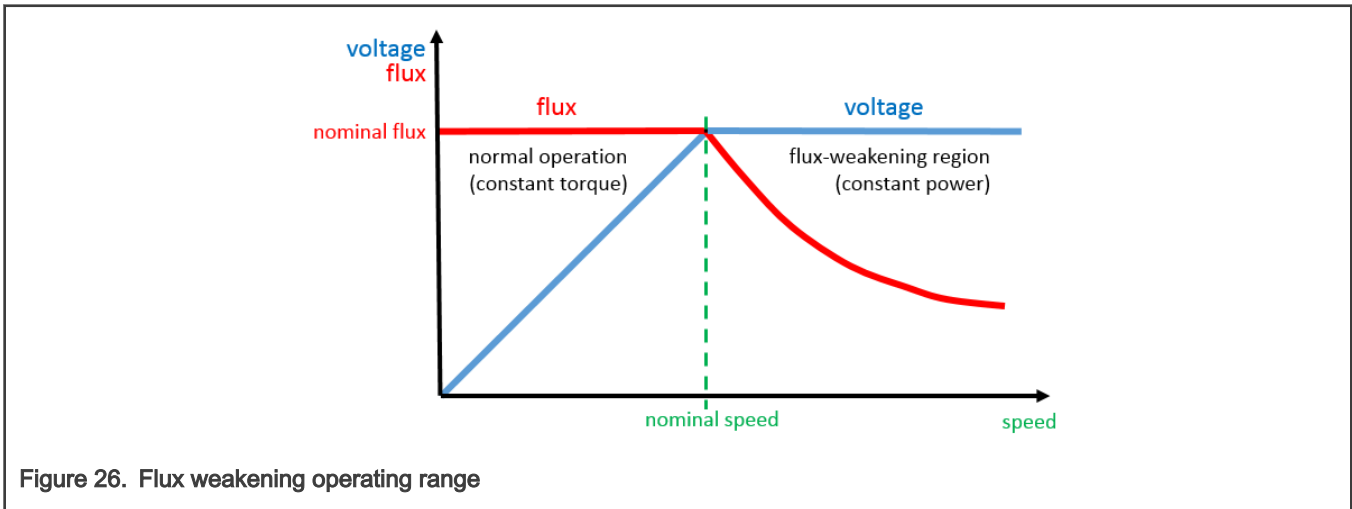


Figure 26. Flux weakening operating range

The [AMCLIB\\_CtrFluxWkng](#) function processes the magnetizing flux by the PI controller function with the anti-windup functionality and output limitation. The controller integration can be stopped if the system is saturated by the input flag pointer in the flux-weakening controller structure. The flux-weakening controller algorithm is executed in the following steps:

1. The voltage error calculation from the voltage limit and the required voltage.

$$u_{err} = (u_{QLim} - |u_{Qreq}|) \cdot \frac{I_{gain}}{U_{gain}}$$

Figure 27.

where:

- $u_{err}$  is the voltage error
- $u_{QLim}$  is the Q voltage limit component
- $u_{Qreq}$  is the Q required voltage component
- $I_{gain}$  is the voltage scale - max. value (for fraction gain = 1)
- $U_{gain}$  is the current scale - max. value (for fraction gain = 1)

2. The input Q current error component must be positive and filtered by the infinite impulse response first-order filter.

$$i_{QerrIIR} = IIR1(|i_{Qerr}|)$$

**Figure 28.**

where:

- $i_{QerrIIR}$  is the Q current error component filtered by the first-order IIR
- $i_{Qerr}$  is the input Q current error component (calculated before calling the [AMCLIB\\_CtrIFluxWkng](#) function from the measured and limited required Q current component value).

3. The flux error is obtained from the previously calculated voltage and current errors as follows:

$$i_{err} = i_{QerrIIR} - u_{err}$$

**Figure 29.**

where:

- $i_{err}$  is the Q current error component for the flux PI controller
- $i_{QerrIIR}$  is the current error component filtered by the first-order IIR
- $u_{err}$  is the voltage error for the flux PI controller

4. Finally, the flux error (corresponding the  $I_D$ ) is processed by the flux PI controller:

$$i_{Dreq} = CtrlPIpAW(i_{err})$$

**Figure 30.**

where:

- $i_{Dreq}$  is the required D current component for the current control
- $i_{err}$  is the flux error (corresponding the D current component) for the flux PI controller

The controller output should be used as the required D current component in the fast control loop and concurrently used as an input for the [GFLIB\\_VectorLimit1](#) function which limits the  $I_Q$  controller as follows:

$$i_{Qreq} \leq \sqrt{i_{max}^2 - i_{Dreq}^2}$$

**Figure 31.**

where:

- $i_{Qreq}$  is the required Q current component for the current control
- $i_{max}$  is application current limit
- $i_{Dreq}$  is the required D current component for the current control

The following figure shows an example of applying the flux-weakening controller function in the control structure. The flux controller starts to operate when the  $I_Q$  controller is not able to compensate the  $I_{Qerr}$  and creates a deviation between its input and output. The flux controller processes the deviation and decreases the flux excitation (for ACIM, or starts to create the flux excitation against a permanent magnet flux in case of PMSM). A lower BEMF causes a higher  $I_Q$  and the motor speed increases. The speed controller with  $I_{Qreg}$  on the output should be limited by the vector limit1 function because a part of the current is used for flux excitation.

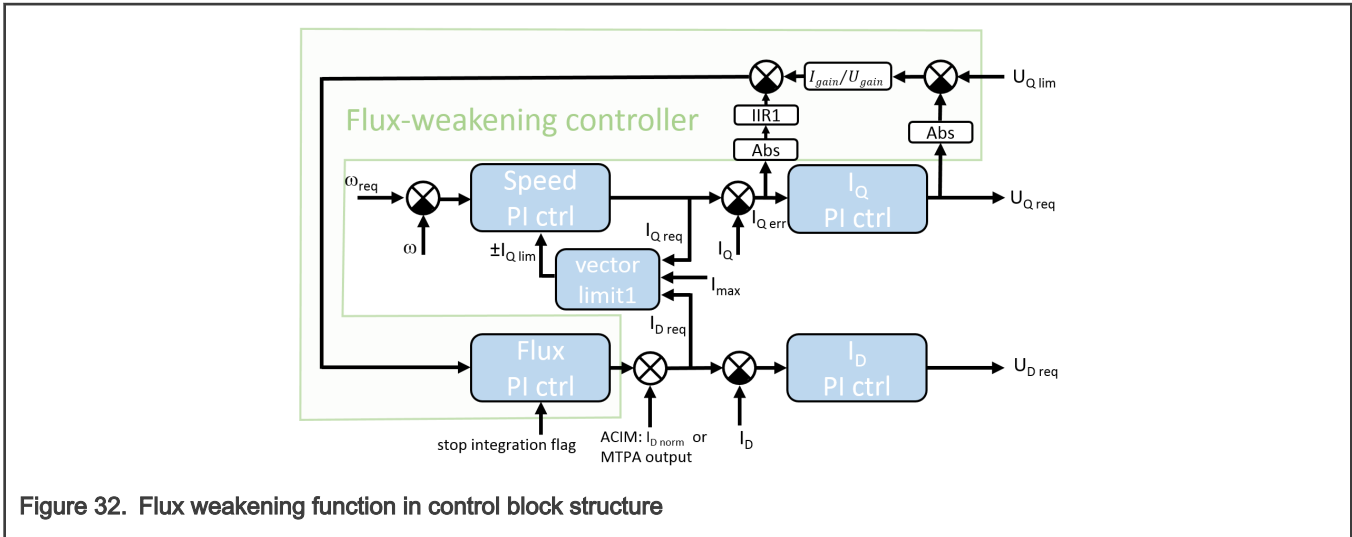


Figure 32. Flux weakening function in control block structure

### 2.2.1 Available versions

This function is available in the following versions:

- Fractional output - the output is the fractional portion of the result; the result is within the range  $<-1 ; 1>$  in case of no limitation. The parameters are of fractional or accumulator types.

The available versions of the AMCLIB\_CtrlFluxWkngInit function are shown in the following table:

Table 4. Init function versions

Function name	Input type	Parameters	Result type
AMCLIB_CtrlFluxWkngInit_F16	frac16_t	AMCLIB_CtrlFluxWkngInit_A32*	void
The inputs are a 16-bit fractional initial value for the flux PI controller integrating the part state and a pointer to the flux-weakening controller's parameters structure. The function initializes the flux PI controller and the IIR1 filter.			

The available versions of the AMCLIB\_CtrlFluxWkng function are shown in the following table:

Table 5. Function versions

Function name	Input type			Parameters	Result type
	Q current error	Q required voltage	Q voltage limit		
AMCLIB_CtrlFluxWkng_F16	frac16_t	frac16_t	frac16_t	AMCLIB_CTRL_FLUX_WKNG_T_A32*	frac16_t
The Q current error component value input ( $I_Q$ controller input) and the Q required voltage value input ( $I_Q$ controller output) are 16-bit fractional values within the range $<-1 ; 1>$ . The Q voltage limit value input (constant value) is a 16-bit fractional value within the range $(0 ; 1)$ . The parameters are pointed to by an input pointer. The function returns a 16-bit fractional value in the range $<f16LowerLim ; f16UpperLim>$ .					

## 2.2.2 AMCLIB\_CTRL\_FLUX\_WKNG\_T\_A32

Variable name	Input type	Description
sFWPiParam	GFLIB_CTRL_PI_P_AW_T_A32	The input pointer for the flux PI controller parameter structure. The flux controller output should be negative. Therefore, set at least the following parameters: <ul style="list-style-type: none"> <li>• a32PGain - proportional gain, the range is &lt;0 ; 65536.0).</li> <li>• a32IGain - integral gain, the range is &lt;0 ; 65536.0).</li> <li>• f16UpperLim - upper limit, the zero value should be set.</li> <li>• f16LowerLim - the lower limit, the range is &lt;-1; 0).</li> </ul>
slqErrIIR1Param	GDFLIB_FILTER_IIR1_T_F32	The input pointer for the IIR1 filter parameter structure. The IIR1 filters the absolute value of the Q current error component for the flux controller. Set at least the following parameters: <ul style="list-style-type: none"> <li>• sFltCoeff.f32B0 - B0 coefficient, must be divided by 2.</li> <li>• sFltCoeff.f32B1 - B1 coefficient, must be divided by 2.</li> <li>• sFltCoeff.f32A1 - A1 (sign-inverted) coefficient, must be divided by -2 (negative two).</li> </ul>
f16lqErrIIR1	frac32_t	The I <sub>Q</sub> current error component, filtered by the IIR1 filter for the flux PI controller, as shown in Equation 2. The output value calculated by the algorithm.
f16UFWErr	frac16_t	The voltage error, as shown in Equation 1. The output value calculated by the algorithm.
f16FWErr	frac16_t	The flux-weakening error, as shown in Equation 3. The output value calculated by the algorithm.
*bStopIntegFlag	frac16_t	The integration of the PI controller is suspended if the stop flag is set. When it is cleared, the integration continues. The pointer is set by the user and controlled by the application.

### 2.2.3 Declaration

The available AMCLIB\_CtrlFluxWkngInit functions have the following declarations:

```
void AMCLIB_CtrlFluxWkngInit_F16(frac16_t f16InitVal, AMCLIB_CTRL_FLUX_WKNG_T_A32 *psParam)
```

The available AMCLIB\_CtrlFluxWkng functions have the following declarations:

```
frac16_t AMCLIB_CtrlFluxWkng_F16(frac16_t f16IQErr, frac16_t f16UQReq, frac16_t f16UQLim, AMCLIB_CTRL_FLUX_WKNG_T_A32 *psParam)
```

### 2.2.4 Function use

The use of the AMCLIB\_CtrlFluxWkngInit and AMCLIB\_CtrlFluxWkng functions is shown in the following examples:

**Fixed-point version:**

```

#include "amclib.h"

static AMCLIB_CTRL_FLUX_WKNG_T_A32 sCtrl;
static frac16_t f16IQErr, f16UQReq, f16UQLim;
static frac16_t f16IdReq, f16InitVal;
static bool_t bStopIntegFlag;

void Isr(void);

void main(void)
{
    /* Associate input stop integration flag */
    bStopIntegFlag = FALSE;
    sCtrl.bStopIntegFlag = &bStopIntegFlag;

    /* Set PI controller and IIR1 parameters */
    sCtrl.sFWPiParam.a32PGain = ACC32(0.1);
    sCtrl.sFWPiParam.a32IGain = ACC32(0.2);
    sCtrl.sFWPiParam.f16UpperLim = FRAC16(0.);
    sCtrl.sFWPiParam.f16LowerLim = FRAC16(-0.9);
    sCtrl.sIqErrIIR1Param.sFltCoeff.f32B0 = FRAC32(0.245237275252786 / 2.0);
    sCtrl.sIqErrIIR1Param.sFltCoeff.f32B1 = FRAC32(0.245237275252786 / 2.0);
    sCtrl.sIqErrIIR1Param.sFltCoeff.f32A1 = FRAC32(-0.509525449494429 / -2.0);

    /* Flux weakening controller initialization */
    f16InitVal = FRAC16(0.0);
    AMCLIB_CtrlFluxWkngInit_F16(f16InitVal, &sCtrl);

    /* Assign input variable */
    f16IQErr = FRAC16(-0.1);
    f16UQReq = FRAC16(-0.2);
    f16UQLim = FRAC16(0.8);
}

/* Periodical function or interrupt */
void Isr()
{
    /* Flux weakening controller calculation */
    f16Result = AMCLIB_CtrlFluxWkng_F16(f16IQErr, f16UQReq, f16UQLim, &sCtrl);
}

```

### 2.3 AMCLIB\_PMSMBemfObsrvDQ

The [AMCLIB\\_PMSMBemfObsrvDQ](#) function calculates the algorithm of back-electro-motive force observer in a rotating reference frame. The method for estimating the rotor position and angular speed is based on the mathematical model of an interior PMSM motor with an extended electro-motive force function, which is realized in an estimated quasi-synchronous reference frame  $\gamma\text{-}\delta$  as shown in [Figure 1](#).

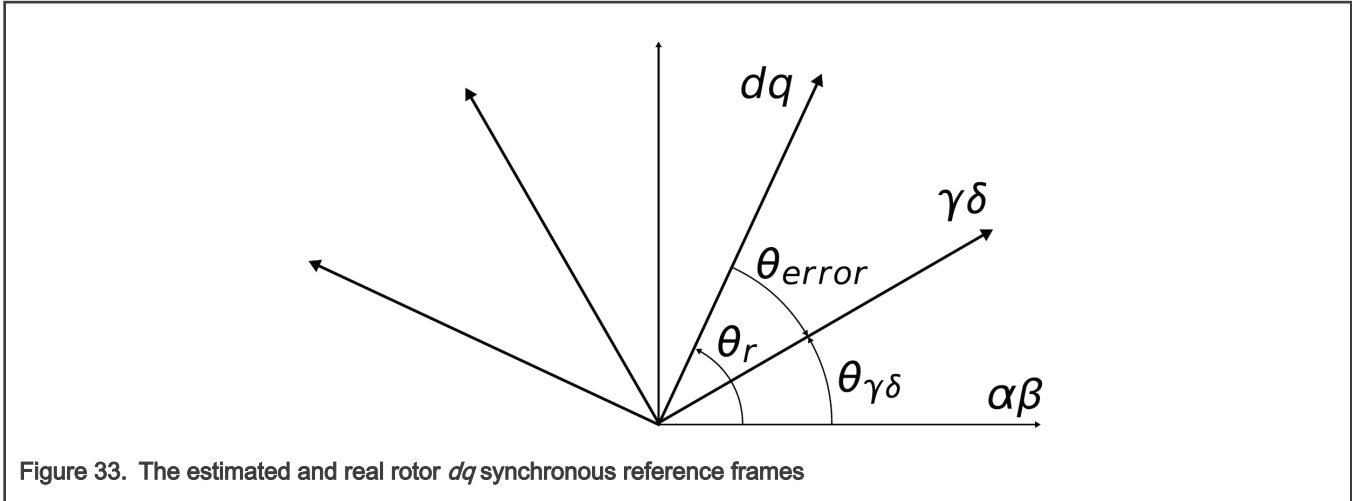


Figure 33. The estimated and real rotor *dq* synchronous reference frames

The back-EMF observer detects the generated motor voltages induced by the permanent magnets. A tracking observer uses the back-EMF signals to calculate the position and speed of the rotor. The transformed model is then derived as follows:

$$\begin{bmatrix} u_{\gamma} \\ u_{\delta} \end{bmatrix} = \begin{bmatrix} R_S + sL_D & -\omega_r L_Q \\ \omega_r L_Q & R_S + sL_D \end{bmatrix} \cdot \begin{bmatrix} i_{\gamma} \\ i_{\delta} \end{bmatrix} + (\Delta L \cdot (\omega_r i_D - s i_Q) + \Psi_m \omega_r) \cdot \begin{bmatrix} -\sin(\theta_{error}) \\ \cos(\theta_{error}) \end{bmatrix}$$

where:

- $R_S$  is the stator resistance
- $L_D$  and  $L_Q$  are the D-axis and Q-axis inductances
- $\Psi_m$  is the back-EMF constant
- $\omega_r$  is the angular electrical rotor speed
- $u_{\gamma}$  and  $u_{\delta}$  are the estimated stator voltages
- $i_{\gamma}$  and  $i_{\delta}$  are the estimated stator currents
- $\theta_{error}$  is the error between the actual D-Q frame and the estimated frame position
- $s$  is the operator of the derivative

The block diagram of the observer in the estimated reference frame is shown in Figure 1. The observer compensator is substituted by a standard PI controller with following equation in the fractional arithmetic.

$$i_{sc}(k) \cdot i_{max} = K_P \cdot e_{sc}(k) \cdot e_{max} + T_S \cdot K_I \cdot e_{sc}(k) \cdot e_{max} + i_{sc}(k-1) \cdot i_{max}$$

where:

- $K_P$  is the observer proportional gain [-]
- $K_I$  is the observer integral gain [-]
- $i_{sc}(k) = [i_{\gamma}, i_{\delta}]$  is the scaled stator current vector in the actual step
- $i_{sc}(k - 1) = [i_{\gamma}, i_{\delta}]$  is the scaled stator current vector in the previous step
- $e_{sc}(k) = [e_{\gamma}, e_{\delta}]$  is the scaled stator back-EMF voltage vector in the actual step
- $i_{max}$  is the maximum current [A]
- $e_{max}$  is the maximum back-EMF voltage [V]
- $T_S$  is the sampling time [s]

As shown in Figure 1, the observer model and hence also the PI controller gains in both axes are identical to each other.



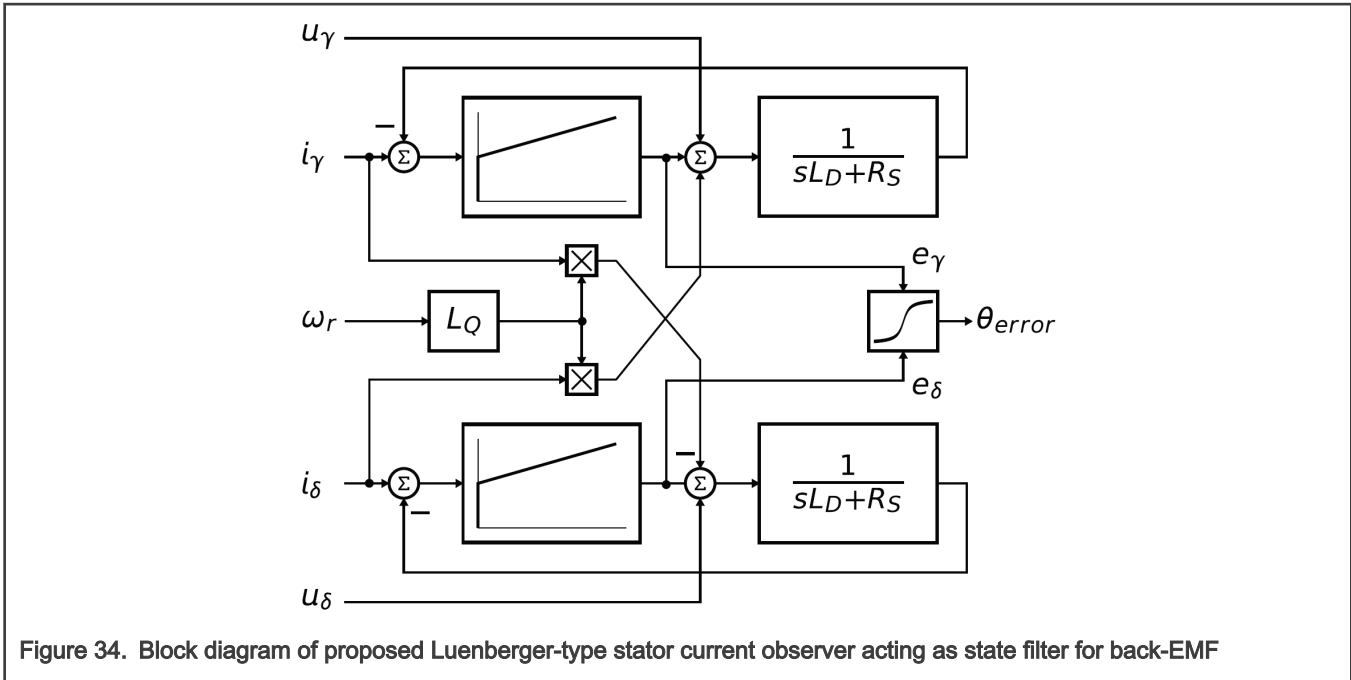


Figure 34. Block diagram of proposed Luenberger-type stator current observer acting as state filter for back-EMF

The position estimation can now be performed by extracting the  $\theta_{error}$  term from the model, and adjusting the position of the estimated reference frame to achieve  $\theta_{error} = 0$ . Because the  $\theta_{error}$  term is only included in the saliency-based EMF component of both  $u_\gamma$  and  $u_\delta$  axis voltage equations, the Luenberger-based disturbance observer is designed to observe the  $u_\gamma$  and  $u_\delta$  voltage components. The position displacement information  $\theta_{error}$  is then obtained from the estimated back-EMFs as follows:

$$\theta_{error} = \text{atan}\left(\frac{-e_\gamma}{e_\delta}\right)$$

The estimated position

$$\hat{\theta}_e$$

can be obtained by driving the position of the estimated reference frame to achieve zero displacement  $\theta_{error} = 0$ . The phase-locked-loop mechanism can be adopted, where the loop compensator ensures correct tracking of the actual rotor flux position by keeping the error signal  $\theta_{error}$  zeroed,  $\theta_{error} = 0$ .

A perfect match between the actual and estimated motor model parameters is assumed, and then the back-EMF transfer function can be simplified as follows:

$$\hat{E}_{\alpha\beta}(s) = -E_{\alpha\beta}(s) \cdot \frac{F_C(s)}{sL_D + R_S + F_C(s)}$$

The appropriate dynamic behavior of the back-EMF observer is achieved by the placement of the poles of the stator current observer characteristic polynomial. This general method is based on matching the coefficients of the characteristic polynomial with the coefficients of the general second-order system.

The back-EMF observer is a Luenberger-type observer with a motor model, which is implemented using the backward Euler transformation as follows:

$$i(k) = \frac{T_s}{L_D + T_s R_S} \cdot u(k) + \frac{T_s}{L_D + T_s R_S} \cdot e(k) + \frac{L_Q T_s}{L_D + T_s R_S} \cdot \omega_e(k) \cdot i'(k) + \frac{L_D}{L_D + T_s R_S} \cdot i(k-1)$$

where:

- $i(k) = [i_\gamma, i_\delta]$  is the stator current vector in the actual step
- $i(k-1) = [i_\gamma, i_\delta]$  is the stator current vector in the previous step

- $u(k) = [u_\gamma, u_\delta]$  is the stator voltage vector in the actual step
- $e(k) = [e_\gamma, e_\delta]$  is the stator back-EMF voltage vector in the actual step
- $i'(k) = [i_\gamma, -i_\delta]$  is the complementary stator current vector in the actual step
- $\omega_e(k)$  is the electrical angular speed in the actual step
- $T_S$  is the sampling time [s]

This equation is transformed into the fractional arithmetic as follows:

$$i_{sc}(k) \cdot i_{max} = \frac{T_s}{L_D + T_s R_S} \cdot u_{sc}(k) \cdot u_{max} + \frac{T_s}{L_D + T_s R_S} \cdot e_{sc}(k) \cdot e_{max} + \frac{L_Q T_s}{L_D + T_s R_S} \cdot \omega_{esc}(k) \cdot \omega_{max} \cdot i'_{sc}(k) \cdot i_{max} + \frac{L_D}{L_D + T_s R_S} \cdot i_{sc}(k-1) \cdot i_{max}$$

where:

- $i_{sc}(k) = [i_\gamma, i_\delta]$  is the scaled stator current vector in the actual step
- $i_{sc}(k-1) = [i_\gamma, i_\delta]$  is the scaled stator current vector in the previous step
- $u_{sc}(k) = [u_\gamma, u_\delta]$  is the scaled stator voltage vector in the actual step
- $e_{sc}(k) = [e_\gamma, e_\delta]$  is the scaled stator back-EMF voltage vector in the actual step
- $i'_{sc}(k) = [i_\gamma, -i_\delta]$  is the scaled complementary stator current vector in the actual step
- $\omega_{esc}(k)$  is the scaled electrical angular speed in the actual step
- $i_{max}$  is the maximum current [A]
- $e_{max}$  is the maximum back-EMF voltage [V]
- $u_{max}$  is the maximum stator voltage [V]
- $\omega_{max}$  is the maximum electrical angular speed in [rad / s]

If the Luenberger-type stator current observer is properly designed in the stationary reference frame, the back-EMF can be estimated as a disturbance produced by the observer controller. However, this is only valid when the back-EMF term is not included in the observer model. The observer is a closed-loop current observer, therefore it acts as a state filter for the back-EMF term.

The estimate of the extended EMF term can be derived from [AMCLIB\\_PMSMBemfObsrvDQ\\_Eq3](#) as follows:

$$-\frac{\hat{E}_{\gamma\delta}(s)}{E_{\gamma\delta}(s)} = \frac{sK_P + K_I}{s^2 L_D + sR_S + sK_P + K_I}$$

The observer controller can be designed by comparing the closed-loop characteristic polynomial with that of a standard second-order system as follows:

$$s^2 + \frac{K_P + R_S}{L_D} \cdot s + \frac{K_I}{L_D} = s^2 + 2\xi\omega_0 s + \omega_0^2$$

where:

- $\omega_0$  is the natural frequency of the closed-loop system (loop bandwidth)
- $\xi$  is the loop attenuation
- $K_P$  is the proportional gain
- $K_I$  is the integral gain

### 2.3.1 Available versions

This function is available in the following versions:

- Fractional output - the output is the fractional portion of the result; the result is within the range <-1 ; 1). The parameters use the accumulator types.
- Accumulator output with floating-point inputs - the output is the accumulator result; the result is within the range <-1 ; 1). The inputs are 32-bit single precision floating-point values.

The available versions of the [AMCLIB\\_PMSMBemfObsrvDQ](#) function are shown in the following table:

**Table 6. Init versions**

Function name	Parameters	Result type
AMCLIB_PMSMBemfObsrvDQInit_F16	<a href="#">AMCLIB_BEMF_OBSRV_DQ_T_A32</a> *	void
	Initialization does not have any input.	

**Table 7. Function versions**

Function name	Input/output type		Result type
AMCLIB_PMSMBemfObsrvDQ_F16	Input	<a href="#">GMCLIB_2COOR_DQ_T_F16</a> *	<a href="#">frac16_t</a>
		<a href="#">GMCLIB_2COOR_DQ_T_F16</a> *	
		<a href="#">frac16_t</a>	
	Parameters	<a href="#">AMCLIB_BEMF_OBSRV_DQ_T_A32</a> *	
Back-EMF observer with a 16-bit fractional input D-Q current and voltage, and a 16-bit electrical speed. All are within the range <-1 ; 1).			

### 2.3.2 AMCLIB\_BEMF\_OBSRV\_DQ\_T\_A32 type description

Variable name		Data type	Description
sEObsrv		<a href="#">GMCLIB_2COOR_DQ_T_F32</a>	Estimated back-EMF voltage structure.
sIObsrv		<a href="#">GMCLIB_2COOR_DQ_T_F32</a>	Estimated current structure.
sCtrl	f32ID_1	<a href="#">frac32_t</a>	State variable in the alpha part of the observer, integral part at step k - 1. The variable is within the range <-1 ; 1).
	f32IQ_1	<a href="#">frac32_t</a>	State variable in the beta part of the observer, integral part at step k - 1. The variable is within the range <-1 ; 1).
	a32PGain	<a href="#">acc32_t</a>	The observer proportional gain is set up according to <a href="#">Equation 7</a> as: $(2\xi\omega_0L_D - R_S) \frac{i_{max}}{e_{max}}$ The parameter is within the range <0 ; 65536.0). Set by the user.
	a32IGain	<a href="#">acc32_t</a>	The observer integral gain is set up according to <a href="#">Equation 7</a> as: $\omega_0^2 L_D T_s \frac{i_{max}}{e_{max}}$

*Table continues on the next page...*

Table continued from the previous page...

Variable name		Data type	Description
			The parameter is within the range <0 ; 65536.0). Set by the user.
a32IGain		acc32_t	<p>The current coefficient gain is set up according to <a href="#">Equation 5</a> as:</p> $\frac{L_D}{L_D + T_s R_S}$ <p>The parameter is within the range &lt;0 ; 65536.0). Set by the user.</p>
a32UGain		acc32_t	<p>The voltage coefficient gain is set up according to <a href="#">Equation 5</a> as:</p> $\frac{T_s}{L_D + T_s R_S} \cdot \frac{u_{max}}{i_{max}}$ <p>The parameter is within the range &lt;0 ; 65536.0). Set by the user.</p>
a32WIGain		acc32_t	<p>The angular speed coefficient gain is set up according to <a href="#">Equation 5</a> as:</p> $\frac{L_Q T_s}{L_D + T_s R_S} \cdot \omega_{max}$ <p>The parameter is within the range &lt;0 ; 65536.0). Set by the user.</p>
a32EGain		acc32_t	<p>The back-EMF coefficient gain is set up according to <a href="#">Equation 5</a> as:</p> $\frac{T_s}{L_D + T_s R_S} \cdot \frac{e_{max}}{i_{max}}$ <p>The parameter is within the range &lt;0 ; 65536.0). Set by the user.</p>
f16Error		frac16_t	Output - estimated phase error between a real D / Q frame system and an estimated D / Q reference system. The error is within the range <-1 ; 1).

### 2.3.3 Declaration

The available AMCLIB\_PMSMBemfObsrvDQInit functions have the following declarations:

```
void AMCLIB_PMSMBemfObsrvDQInit_F16(AMCLIB_BEMF_OBSRV_DQ_T_A32 *psCtrl)
```

The available AMCLIB\_PMSMBemfObsrvDQ functions have the following declarations:

```
frac16_t AMCLIB_PMSMBemfObsrvDQ_F16(const GMCLIB_2COORD_Q_T_F16 *psIDQ, const GMCLIB_2COORD_Q_T_F16 *psUDQ, frac16_t f16Speed, AMCLIB_BEMF_OBSRV_DQ_T_A32 *psCtrl)
```

### 2.3.4 Function use

The use of the [AMCLIB\\_PMSMBemfObsrvDQ](#) function is shown in the following example:

```
#include "amclib.h"

static GMCLIB_2COORDQ_T_F16      sIdq, sUdq;
static AMCLIB_BEMF_OBSRV_DQ_T_A32 sBemfObsrv;
static frac16_t f16Speed, f16Error;

void Isr(void);

void main (void)
{
    sBemfObsrv.sCtrl.a32PGain= ACC32(1.697);
    sBemfObsrv.sCtrl.a32IGain= ACC32(0.134);
    sBemfObsrv.a32IGain = ACC32(0.986);
    sBemfObsrv.a32UGain = ACC32(0.170);
    sBemfObsrv.a32WIGain= ACC32(0.110);
    sBemfObsrv.a32EGain = ACC32(0.116);

    /* Initialization of the observer's structure */
    AMCLIB_PMSMBemfObsrvDQInit_F16(&sBemfObsrv);

    sIdq.f16D = FRAC16(0.05);
    sIdq.f16Q = FRAC16(0.1);
    sUdq.f16D = FRAC16(0.2);
    sUdq.f16Q = FRAC16(-0.1);
}

/* Periodical function or interrupt */
void Isr(void)
{
    /* BEMF Observer calculation */
    f16Error = AMCLIB_PMSMBemfObsrvDQ_F16(&sIdq, &sUdq, f16Speed, &sBemfObsrv);
}
```

## 2.4 AMCLIB\_PMSMBemfObsrvAB

The [AMCLIB\\_PMSMBemfObsrvAB](#) function calculates the algorithm of the back-electro-motive force (back-EMF) observer in a stationary reference frame. The estimation method for the rotor position and the angular speed is based on the mathematical model of an interior PMSM motor with an extended electro-motive force function, which is realized in the alpha/beta stationary reference frame.

The back-EMF observer detects the generated motor voltages, induced by the permanent magnets. The angle-tracking observer uses the back-EMF signals to calculate the position and speed of the rotor. The transformed model is then derived as:

$$\begin{bmatrix} u_\alpha \\ u_\beta \end{bmatrix} = \begin{bmatrix} R_S + sL_D & \omega_r \Delta L \\ -\omega_r \Delta L & R_S + sL_D \end{bmatrix} \cdot \begin{bmatrix} i_\alpha \\ i_\beta \end{bmatrix} + [\Delta L \cdot (\omega_r i_D - s i_Q) + \Psi_m \omega_r] \cdot \begin{bmatrix} -\sin(\theta_r) \\ \cos(\theta_r) \end{bmatrix}$$

Where:

- $R_S$  is the stator resistance
- $L_D$  and  $L_Q$  are the D-axis and Q-axis inductances
- $\Delta L = L_D - L_Q$  is the motor saliency

- $\Psi_m$  is the back-EMF constant
- $\omega_r$  is the angular electrical rotor speed
- $u_\alpha$  and  $u_\beta$  are the estimated stator voltages
- $i_\alpha$  and  $i_\beta$  are the estimated stator currents
- $\theta_r$  is the estimated rotor electrical position
- $s$  is the operator of the derivative

This extended back-EMF model includes both the position information from the conventionally defined back-EMF and the stator inductance as well. This enables extracting the rotor position and velocity information by estimating the extended back-EMF only.

Both the alpha and beta axes consist of the stator current observer based on the RL motor circuit which requires the motor parameters.

The current observer input is the sum of the actual applied motor voltage and the cross-coupled rotational term, which corresponds to the motor saliency ( $L_D - L_Q$ ) and the compensator corrective output. The observer provides the back-EMF signals as a disturbance because the back-EMF is not included in the observer model.

The block diagram of the observer in the estimated reference frame is shown in [Figure 1](#). The observer compensator is substituted by a standard PI controller with following equation in the fractional arithmetic.

$$i_{sc}(k) \cdot i_{max} = K_P \cdot e_{sc}(k) \cdot e_{max} + T_s \cdot K_I \cdot e_{sc}(k) \cdot e_{max} + i_{sc}(k-1) \cdot i_{max}$$

where:

- $K_P$  is the observer proportional gain [-]
- $K_I$  is the observer integral gain [-]
- $i_{sc}(k) = [i_\gamma, i_\delta]$  is the scaled stator current vector in the actual step
- $i_{sc}(k-1) = [i_\gamma, i_\delta]$  is the scaled stator current vector in the previous step
- $e_{sc}(k) = [e_\gamma, e_\delta]$  is the scaled stator back-EMF voltage vector in the actual step
- $i_{max}$  is the maximum current [A]
- $e_{max}$  is the maximum back-EMF voltage [V]
- $T_s$  is the sampling time [s]

As shown in [Figure 1](#), the observer model and hence also the PI controller gains in both axes are identical to each other.

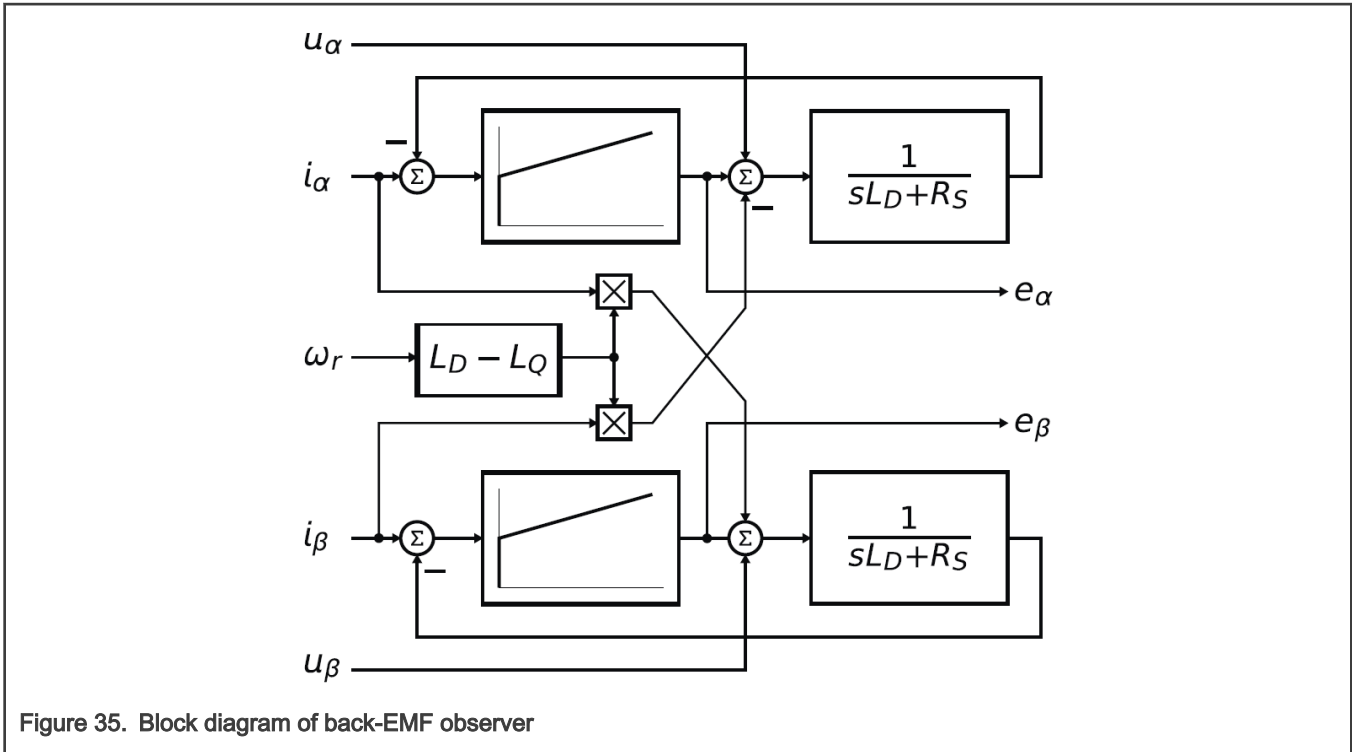


Figure 35. Block diagram of back-EMF observer

It is obvious that the accuracy of the back-EMF estimates is determined by the correctness of the motor parameters used (R, L), the fidelity of the reference stator voltage, and the quality of the compensator, such as the bandwidth, phase lag, and so on.

The appropriate dynamic behavior of the back-EMF observer is achieved by the placement of the poles of the stator current observer characteristic polynomial. This general method is based on matching the coefficients of the characteristic polynomial to the coefficients of the general second-order system.

$$\hat{E}_{\alpha\beta}(s) = -E_{\alpha\beta}(s) \cdot \frac{F_C(s)}{sL_D + R_S + F_C(s)}$$

The back-EMF observer is a Luenberger-type observer with a motor model, which is implemented using the backward Euler transformation as:

$$i(k) = \frac{T_s}{L_D + T_s R_S} \cdot u(k) + \frac{T_s}{L_D + T_s R_S} \cdot e(k) - \frac{\Delta L T_s}{L_D + T_s R_S} \cdot \omega_e(k) \cdot i'(k) + \frac{L_D}{L_D + T_s R_S} \cdot i(k-1)$$

Where:

- $i(k) = [i_\alpha, i_\beta]$  is the stator current vector in the actual step
- $i(k-1) = [i_\alpha, i_\beta]$  is the stator current vector in the previous step
- $u(k) = [u_\alpha, u_\beta]$  is the stator voltage vector in the actual step
- $e(k) = [e_\alpha, e_\beta]$  is the stator back-EMF voltage vector in the actual step
- $i'(k) = [i_\alpha, -i_\beta]$  is the complementary stator current vector in the actual step
- $\omega_e(k)$  is the electrical angular speed in the actual step
- $T_s$  is the sampling time [s]

This equation is transformed into the fractional arithmetic as:

$$i_{sc}(k) \cdot i_{max} = \frac{T_s}{L_D + T_s R_S} \cdot u_{sc}(k) \cdot u_{max} + \frac{T_s}{L_D + T_s R_S} \cdot e_{sc}(k) \cdot e_{max} - \frac{\Delta L T_s}{L_D + T_s R_S} \cdot \omega_{esc}(k) \cdot \omega_{max} \cdot i'_{sc}(k) \cdot i_{max} + \frac{L_D}{L_D + T_s R_S} \cdot i_{sc}(k-1) \cdot i_{max}$$

Where:

- $i_{sc}(k) = [i_\gamma, i_\delta]$  is the scaled stator current vector in the actual step
- $i_{sc}(k-1) = [i_\gamma, i_\delta]$  is the scaled stator current vector in the previous step
- $u_{sc}(k) = [u_\gamma, u_\delta]$  is the scaled stator voltage vector in the actual step
- $e_{sc}(k) = [e_\gamma, e_\delta]$  is the scaled stator back-EMF voltage vector in the actual step
- $i'_{sc}(k) = [i_\gamma, -i_\delta]$  is the scaled complementary stator current vector in the actual step
- $\omega_{esc}(k)$  is the scaled electrical angular speed in the actual step
- $i_{max}$  is the maximum current [A]
- $e_{max}$  is the maximum back-EMF voltage [V]
- $u_{max}$  is the maximum stator voltage [V]
- $\omega_{max}$  is the maximum electrical angular speed in [rad / s]

If the Luenberger-type stator current observer is properly designed in the stationary reference frame, the back-EMF can be estimated as a disturbance produced by the observer controller. However, this is only valid when the back-EMF term is not included in the observer model. The observer is a closed-loop current observer, therefore, it acts as a state filter for the back-EMF term.

The estimate of the extended EMF term can be derived from [AMCLIB\\_PMSMBemfObsrvAB\\_Eq1](#) as:

$$\frac{\hat{E}_{\gamma\delta}(s)}{E_{\gamma\delta}(s)} = \frac{sK_P + K_I}{s^2 L_D + sR_S + sK_P + K_I}$$

The observer controller can be designed by comparing the closed-loop characteristic polynomial to that of a standard second-order system as:

$$s^2 + \frac{K_P + R_S}{L_D} \cdot s + \frac{K_I}{L_D} = s^2 + 2\xi\omega_0 s + \omega_0^2$$

where:

- $\omega_0$  is the natural frequency of the closed-loop system (loop bandwidth)
- $\xi$  is the loop attenuation
- $K_P$  is the proportional gain
- $K_I$  is the integral gain

### 2.4.1 Available versions

This function is available in the following versions:

- Fractional output - the output is the fractional portion of the result; the result is within the range <-1 ; 1). The parameters use the accumulator types.

The available versions of the [AMCLIB\\_PMSMBemfObsrvAB](#) function are shown in the following table:



**Table 8. Init versions**

Function name	Parameters	Result type
AMCLIB_PMSMBemfObsrvABInit_F16	AMCLIB_BEMF_OBSRV_AB_T_A32 *	void
The initialization does not have an input.		

The available versions of the [AMCLIB\\_PMSMBemfObsrvAB](#) function are shown in the following table:

**Table 9. Function versions**

Function name	Input/output type		Result type
AMCLIB_PMSMBemfObsrvAB_F16	Input	GMCLIB_2COOR_ALBE_T_F16 *	void
		GMCLIB_2COOR_ALBE_T_F16 *	
		frac16_t	
	Parameters	AMCLIB_BEMF_OBSRV_AB_T_A32 *	
The back-EMF observer with a 16-bit fractional input Alpha/Beta current and voltage, and a 16-bit electrical speed. All are within the range <-1 ; 1).			

### 2.4.2 AMCLIB\_BEMF\_OBSRV\_AB\_T\_A32 type description

Variable name		Data type	Description
sEObsrv		GMCLIB_2COOR_ALBE_T_F32	The estimated back-EMF voltage structure.
sIObsrv		GMCLIB_2COOR_ALBE_T_F32	The estimated current structure.
sCtrl	f32IAlpha_1	frac32_t	The state variable in the alpha part of the observer, integral part at step k-1. The variable is within the range <-1 ; 1).
	f32IBeta_1	frac32_t	The state variable in the beta part of the observer, integral part at step k-1. The variable is within the range <-1 ; 1).
	a32PGain	acc32_t	The observer proportional gain is set up according to <a href="#">Equation 7</a> as: $(2\xi\omega_0L_D - R_S) \frac{i_{max}}{e_{max}}$ The parameter is within the range <0 ; 65536.0). Set by the user.
	a32IGain	acc32_t	The observer integral gain is set up according to <a href="#">Equation 7</a> as: $\omega_0^2 L_D T_s \frac{i_{max}}{e_{max}}$ The parameter is within the range <0 ; 65536.0). Set by the user.
a32IGain		acc32_t	The current coefficient gain is set up according to <a href="#">Equation 5</a> as:

*Table continues on the next page...*

Table continued from the previous page...

Variable name	Data type	Description
		$\frac{L_D}{L_D + T_s R_S}$ <p>The parameter is within the range &lt;0 ; 65536.0). Set by the user.</p>
a32UGain	acc32_t	<p>The voltage coefficient gain is set up according to <a href="#">Equation 5</a> as:</p> $\frac{T_s}{L_D + T_s R_S} \cdot \frac{u_{max}}{i_{max}}$ <p>The parameter is within the range &lt;0 ; 65536.0). Set by the user.</p>
a32WIGain	acc32_t	<p>The angular speed coefficient gain is set up according to <a href="#">Equation 5</a> as:</p> $\frac{\Delta L T_s}{L_D + T_s R_S} \cdot \omega_{max}$ <p>The parameter is within the range &lt;0 ; 65536.0).Set by the user.</p>
a32EGain	acc32_t	<p>The back-EMF coefficient gain is set up according to <a href="#">Equation 5</a> as:</p> $\frac{T_s}{L_D + T_s R_S} \cdot \frac{e_{max}}{i_{max}}$ <p>The parameter is within the range &lt;0 ; 65536.0). Set by the user.</p>
sUnityVctr	GMCLIB_2COOR_SINC OS_T_F16	The output - estimated angle as the sin/cos vector.

### 2.4.3 Declaration

The available AMCLIB\_PMSMBemfObsrvABInit functions have the following declarations:

```
void AMCLIB_PMSMBemfObsrvABInit_F16(AMCLIB_BEMF_OBSRV_AB_T_A32 *psCtrl)
```

The available AMCLIB\_PMSMBemfObsrvAB functions have the following declarations:

```
void AMCLIB_PMSMBemfObsrvAB_F16(const GMCLIB_2COOR_ALBE_T_F16 *psIAlBe, const GMCLIB_2COOR_ALBE_T_F16 *psUAlBe, frac16_t f16Speed, AMCLIB_BEMF_OBSRV_AB_T_A32 *psCtrl)
```

### 2.4.4 Function use

The use of the AMCLIB\_PMSMBemfObsrvAB function is shown in the following examples:

**Fixed-point version:**

```
#include "amclib.h"

static GMCLIB_2COOR_ALBE_T_F16 sIAlBe, sUAlBe;
static AMCLIB_BEMF_OBSRV_AB_T_A32 sBemfObsrv;
static frac16_t f16Speed;

void Isr(void);

void main (void)
{
    sBemfObsrv.sCtrl.a32PGain= ACC32(1.697);
    sBemfObsrv.sCtrl.a32IGain= ACC32(0.134);
    sBemfObsrv.a32IGain = ACC32(0.986);
    sBemfObsrv.a32UGain = ACC32(0.170);
    sBemfObsrv.a32WIGain= ACC32(0.110);
    sBemfObsrv.a32EGain = ACC32(0.116);

    /* Initialization of the observer's structure */
    AMCLIB_PMSMBemfObsrvABInit_F16(&sBemfObsrv);

    sIAlBe.f16Alpha = FRAC16(0.05);
    sIAlBe.f16Beta = FRAC16(0.1);
    sUAlBe.f16Alpha = FRAC16(0.2);
    sUAlBe.f16Beta = FRAC16(-0.1);
}

/* Periodical function or interrupt */
void Isr(void)
{
    /* BEMF Observer calculation */
    AMCLIB_PMSMBemfObsrvAB_F16(&sIAlBe, &sUAlBe, f16Speed, &sBemfObsrv);
}
```

### 2.5 AMCLIB\_TrackObsrv

The [AMCLIB\\_TrackObsrv](#) function calculates a tracking observer for the determination of angular speed and position of the input error functional signal. The tracking-observer algorithm uses the phase-locked-loop mechanism. It is recommended to call this function at every sampling period. It requires a single input argument as a phase error. A phase-tracking observer with a standard PI controller used as the loop compensator is shown in [Figure 1](#).

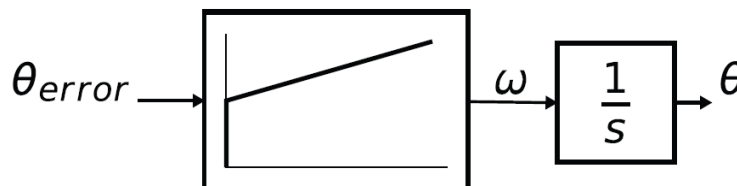


Figure 36. Block diagram of proposed PLL scheme for position estimation

The depicted tracking observer structure has the following transfer function:

$$\frac{\hat{\theta}(s)}{\theta(s)} = \frac{sK_p + K_I}{s^2 + sK_p + K_I}$$

The controller gains  $K_p$  and  $K_i$  are calculated by comparing the characteristic polynomial of the resulting transfer function to a standard second-order system polynomial.

The essential equations for implementation of the tracking observer according to the block scheme in [Figure 1](#) are as follows:

$$\omega(k) = K_p \cdot e(k) + T_s \cdot K_I \cdot e(k) + \omega(k - 1)$$

$$\theta(k) = T_s \cdot \omega(k) + \theta(k - 1)$$

where:

- $K_p$  is the proportional gain
- $K_i$  is the integral gain
- $T_s$  is the sampling period [s]
- $e(k)$  is the position error in step k
- $\omega(k)$  is the rotor speed [rad / s] in step k
- $\omega(k - 1)$  is the rotor speed [rad / s] in step k - 1
- $\theta(k)$  is the rotor angle [rad] in step k
- $\theta(k - 1)$  is the rotor angle [rad] in step k - 1

In the fractional arithmetic, [AMCLIB\\_TrackObsrv\\_Eq1](#) and [AMCLIB\\_TrackObsrv\\_Eq2](#) are as follows:

$$\omega_{sc}(k) \cdot \omega_{max} = K_p \cdot e_{sc}(k) + T_s \cdot K_I \cdot e_{sc}(k) + \omega_{sc}(k - 1) \cdot \omega_{max}$$

$$\theta_{sc}(k) \cdot \theta_{max} = T_s \cdot \omega_{sc}(k) \cdot \omega_{max} + \theta_{sc}(k - 1) \cdot \theta_{max}$$

where:

- $e_{sc}(k)$  is the scaled position error in step k
- $\omega_{sc}(k)$  is the scaled rotor speed [rad / s] in step k
- $\omega_{sc}(k - 1)$  is the scaled rotor speed [rad / s] in step k - 1
- $\theta_{sc}(k)$  is the scaled rotor angle [rad] in step k
- $\theta_{sc}(k - 1)$  is the scaled rotor angle [rad] in step k - 1
- $\omega_{max}$  is the maximum speed
- $\theta_{max}$  is the maximum rotor angle (typically)

### 2.5.1 Available versions

The function is available in the following versions:

- Fractional output - the output is the fractional portion of the result; the result is within the range <-1 ; 1).

The available versions of the [AMCLIB\\_TrackObsrv](#) function are shown in the following table:

Table 10. Init versions

Function name	Init angle	Parameters	Result type
AMCLIB_TrackObsrvInit_F16	frac16_t	AMCLIB_TRACK_OBSRV_T_F32 *	void
The input is a 16-bit fractional value of the angle normalized to the range <-1 ; 1) that represents an angle (in radians) within the range <-π ; π).			

Table 11. Function versions

Function name	Input type	Parameters	Result type
AMCLIB_TrackObsrv_F16	frac16_t	AMCLIB_TRACK_OBSRV_T_F32 *	frac16_t
Tracking observer with a 16-bit fractional position error input divided by π. The output from the observer is a 16-bit fractional position normalized to the range <-1 ; 1) that represents an angle (in radians) within the range <-π ; π).			

### 2.5.2 AMCLIB\_TRACK\_OBSRV\_T\_F32

Variable name	Input type	Description
f32Theta	frac32_t	Estimated position as the output of the second numerical integrator. The parameter is within the range <-1 ; 1). Controlled by the algorithm.
f32Speed	frac32_t	Estimated speed as the output of the first numerical integrator. The parameter is within the range <-1 ; 1). Controlled by the algorithm.
f32I_1	frac32_t	State variable in the controller part of the observer; integral part at step k - 1. The parameter is within the range <-1 ; 1). Controlled by the algorithm.
f16IGain	frac16_t	The observer integral gain is set up according to Equation 4 as: $T_s \cdot K_I \cdot \frac{1}{\omega_{max}} \cdot 2^{-Ish}$ The parameter is a 16-bit fractional type within the range <0 ; 1). Set by the user.
i16IGainSh	int16_t	The observer integral gain shift takes care of keeping the f16IGain variable within the fractional range <-1 ; 1). The shift is determined as: $\log_2(T_s \cdot K_I \cdot \frac{1}{\omega_{max}}) - \log_2 1 < Ish \leq \log_2(T_s \cdot K_I \cdot \frac{1}{\omega_{max}}) - \log_2 0.5$ The parameter is a 16-bit integer type within the range <-15 ; 15>. Set by the user.
f16PGain	frac16_t	The observer proportional gain is set up according to Equation 4 as: $K_P \cdot \frac{1}{\omega_{max}} \cdot 2^{-Psh}$ The parameter is a 16-bit fractional type within the range <0 ; 1). Set by the user.
i16PGainSh	int16_t	The observer proportional gain shift takes care of keeping the f16PGain variable within the fractional range <-1 ; 1). The shift is determined as: $\log_2(K_P \cdot \frac{1}{\omega_{max}}) - \log_2 1 < Psh \leq \log_2(K_P \cdot \frac{1}{\omega_{max}}) - \log_2 0.5$ The parameter is a 16-bit integer type within the range <-15 ; 15>. Set by the user.

Table continues on the next page...

Table continued from the previous page...

Variable name	Input type	Description
f16ThGain	frac16_t	<p>The observer gain for the output position integrator is set up according to <a href="#">Equation 5</a> as:</p> $T_s \cdot \frac{\omega_{max}}{\theta_{max}} \cdot 2^{-Thsh}$ <p>The parameter is a 16-bit fractional type within the range &lt;0 ; 1). Set by the user.</p>
i16ThGainSh	int16_t	<p>The observer gain shift for the position integrator takes care of keeping the f16ThGain variable within the fractional range &lt;-1 ; 1). The shift is determined as:</p> $\log_2(T_s \cdot \frac{\omega_{max}}{\theta_{max}}) - \log_2 1 < THsh \leq \log_2(T_s \cdot \frac{\omega_{max}}{\theta_{max}}) - \log_2 0.5$ <p>The parameter is a 16-bit integer type within the range &lt;-15 ; 15&gt;. Set by the user.</p>

### 2.5.3 Declaration

The available AMCLIB\_TrackObsrvInit functions have the following declarations:

```
void AMCLIB_TrackObsrvInit_F16(frac16_t f16ThetaInit, AMCLIB_TRACK_OBSRV_T_F32 *psCtrl)
```

The available AMCLIB\_TrackObsrv functions have the following declarations:

```
frac16_t AMCLIB_TrackObsrv_F16(frac16_t f16Error, AMCLIB_TRACK_OBSRV_T_F32 *psCtrl)
```

### 2.5.4 Function use

The use of the AMCLIB\_TrackObsrv function is shown in the following example:

```
#include "amclib.h"

static AMCLIB_TRACK_OBSRV_T_F32 sTo;
static frac16_t f16ThetaError;
static frac16_t f16PositionEstim;

void Isr(void);

void main(void)
{
    sTo.f16IGain = FRAC16(0.6434);
    sTo.i16IGainSh = -9;
    sTo.f16PGain = FRAC16(0.6801);
    sTo.i16PGainSh = -2;
    sTo.f16ThGain = FRAC16(0.6400);
    sTo.i16ThGainSh = -4;

    AMCLIB_TrackObsrvInit_F16(FRAC16(0.0), &sTo);

    f16ThetaError = FRAC16(0.5);
}

/* Periodical function or interrupt */
void Isr(void)
{
```

```
/* Tracking observer calculation */  
f16PositionEstim = AMCLIB_TrackObsrv_F16(f16ThetaError, &sTo);  
}
```

# Appendix A

## Library types

### A.1 bool\_t

The `bool_t` type is a logical 16-bit type. It is able to store the boolean variables with two states: TRUE (1) or FALSE (0). Its definition is as follows:

```
typedef unsigned short bool_t;
```

The following figure shows the way in which the data is stored by this type:

**Table 12. Data storage**

	15	14	13	12	11	10	9	8	7	6	5	4	3	2	1	0	
Value	Unused															Logical	
TRUE	0	0	0	0	0	0	0	0	0	0	0	0	0	0	0	0	1
	0				0				0				1				
FALSE	0	0	0	0	0	0	0	0	0	0	0	0	0	0	0	0	0
	0				0				0				0				

To store a logical value as `bool_t`, use the `FALSE` or `TRUE` macros.

### A.2 uint8\_t

The `uint8_t` type is an unsigned 8-bit integer type. It is able to store the variables within the range <0 ; 255>. Its definition is as follows:

```
typedef unsigned char uint8_t;
```

The following figure shows the way in which the data is stored by this type:

**Table 13. Data storage**

	7	6	5	4	3	2	1	0
Value	Integer							
255	1	1	1	1	1	1	1	1
	F				F			

*Table continues on the next page...*



**Table 13. Data storage (continued)**

11	0	0	0	0	1	0	1	1
	0				B			
124	0	1	1	1	1	1	0	0
	7				C			
159	1	0	0	1	1	1	1	1
	9				F			

### A.3 uint16\_t

The `uint16_t` type is an unsigned 16-bit integer type. It is able to store the variables within the range  $\langle 0 ; 65535 \rangle$ . Its definition is as follows:

```
typedef unsigned short uint16_t;
```

The following figure shows the way in which the data is stored by this type:

**Table 14. Data storage**

	15	14	13	12	11	10	9	8	7	6	5	4	3	2	1	0
Value	Integer															
65535	1	1	1	1	1	1	1	1	1	1	1	1	1	1	1	1
	F				F				F				F			
5	0	0	0	0	0	0	0	0	0	0	0	0	0	1	0	1
	0				0				0				5			
15518	0	0	1	1	1	1	0	0	1	0	0	1	1	1	1	0
	3				C				9				E			
40768	1	0	0	1	1	1	1	1	0	1	0	0	0	0	0	0
	9				F				4				0			

## A.4 uint32\_t

The `uint32_t` type is an unsigned 32-bit integer type. It is able to store the variables within the range  $\langle 0 ; 4294967295 \rangle$ . Its definition is as follows:

```
typedef unsigned long uint32_t;
```

The following figure shows the way in which the data is stored by this type:

**Table 15. Data storage**

	31		24 23		16 15		8 7		0
Value	Integer								
4294967295	F	F	F	F	F	F	F	F	F
2147483648	8	0	0	0	0	0	0	0	0
55977296	0	3	5	6	2	5	5	0	
3451051828	C	D	B	2	D	F	3	4	

## A.5 int8\_t

The `int8_t` type is a signed 8-bit integer type. It is able to store the variables within the range  $\langle -128 ; 127 \rangle$ . Its definition is as follows:

```
typedef char int8_t;
```

The following figure shows the way in which the data is stored by this type:

**Table 16. Data storage**

	7	6	5	4	3	2	1	0
Value	Sign	Integer						
127	0	1	1	1	1	1	1	1
-128	7				F			
	1	0	0	0	0	0	0	0
60	8				0			
	0	0	1	1	1	1	0	0
	3				C			

*Table continues on the next page...*

**Table 16. Data storage (continued)**

-97	1	0	0	1	1	1	1	1
	9				F			

## A.6 int16\_t

The `int16_t` type is a signed 16-bit integer type. It is able to store the variables within the range  $\langle -32768 ; 32767 \rangle$ . Its definition is as follows:

```
typedef short int16_t;
```

The following figure shows the way in which the data is stored by this type:

**Table 17. Data storage**

	15	14	13	12	11	10	9	8	7	6	5	4	3	2	1	0
Value	Sign	Integer														
32767	0	1	1	1	1	1	1	1	1	1	1	1	1	1	1	1
	7			F				F				F				
-32768	1	0	0	0	0	0	0	0	0	0	0	0	0	0	0	0
	8			0				0				0				
15518	0	0	1	1	1	1	0	0	1	0	0	1	1	1	1	0
	3			C				9				E				
-24768	1	0	0	1	1	1	1	1	0	1	0	0	0	0	0	0
	9			F				4				0				

## A.7 int32\_t

The `int32_t` type is a signed 32-bit integer type. It is able to store the variables within the range  $\langle -2147483648 ; 2147483647 \rangle$ . Its definition is as follows:

```
typedef long int32_t;
```

The following figure shows the way in which the data is stored by this type:

**Table 18. Data storage**

<i>Table continues on the next page...</i>
--

**Table 18. Data storage (continued)**

Value	31	24 23		16 15		8 7		0
	S	Integer						
2147483647	7	F	F	F	F	F	F	F
-2147483648	8	0	0	0	0	0	0	0
55977296	0	3	5	6	2	5	5	0
-843915468	C	D	B	2	D	F	3	4

### A.8 frac8\_t

The `frac8_t` type is a signed 8-bit fractional type. It is able to store the variables within the range  $<-1 ; 1$ ). Its definition is as follows:

```
typedef char frac8_t;
```

The following figure shows the way in which the data is stored by this type:

**Table 19. Data storage**

Value	7	6	5	4	3	2	1	0
	Sign	Fractional						
0.99219	0	1	1	1	1	1	1	1
-1.0	7				F			
	1	0	0	0	0	0	0	0
0.46875	8				0			
	0	0	1	1	1	1	0	0
-0.75781	3				C			
	1	0	0	1	1	1	1	1
	9				F			

To store a real number as `frac8_t`, use the `FRAC8` macro.

## A.9 frac16\_t

The `frac16_t` type is a signed 16-bit fractional type. It is able to store the variables within the range  $<-1 ; 1$ ). Its definition is as follows:

```
typedef short frac16_t;
```

The following figure shows the way in which the data is stored by this type:

**Table 20. Data storage**

	15	14	13	12	11	10	9	8	7	6	5	4	3	2	1	0
Value	Sign	Fractional														
0.99997	0	1	1	1	1	1	1	1	1	1	1	1	1	1	1	1
	7				F				F				F			
-1.0	1	0	0	0	0	0	0	0	0	0	0	0	0	0	0	0
	8				0				0				0			
0.47357	0	0	1	1	1	1	0	0	1	0	0	1	1	1	1	0
	3			C				9				E				
-0.75586	1	0	0	1	1	1	1	1	0	1	0	0	0	0	0	0
	9				F				4				0			

To store a real number as `frac16_t`, use the `FRAC16` macro.

## A.10 frac32\_t

The `frac32_t` type is a signed 32-bit fractional type. It is able to store the variables within the range  $<-1 ; 1$ ). Its definition is as follows:

```
typedef long frac32_t;
```

The following figure shows the way in which the data is stored by this type:

**Table 21. Data storage**

	31	24	23	16	15	8	7	0																				
Value	S	Fractional																										
0.9999999995		7	F	F	F	F	F	F	F																			

*Table continues on the next page...*

**Table 21. Data storage (continued)**

-1.0	8	0	0	0	0	0	0	0	0
0.02606645970	0	3	5	6	2	5	5	0	
-0.3929787632	C	D	B	2	D	F	3	4	

To store a real number as `frac32_t`, use the `FRAC32` macro.

### A.11 `acc16_t`

The `acc16_t` type is a signed 16-bit fractional type. It is able to store the variables within the range  $<-256 ; 256$ ). Its definition is as follows:

```
typedef short acc16_t;
```

The following figure shows the way in which the data is stored by this type:

**Table 22. Data storage**

	15	14	13	12	11	10	9	8	7	6	5	4	3	2	1	0	
Value	Sign	Integer								Fractional							
255.9921875	0	1	1	1	1	1	1	1	1	1	1	1	1	1	1	1	
	7				F				F				F				
-256.0	1	0	0	0	0	0	0	0	0	0	0	0	0	0	0	0	
	8				0				0				0				
1.0	0	0	0	0	0	0	0	0	1	0	0	0	0	0	0	0	
	0				0				8				0				
-1.0	1	1	1	1	1	1	1	1	1	0	0	0	0	0	0	0	
	F				F				8				0				
13.7890625	0	0	0	0	0	1	1	0	1	1	1	0	0	1	0	1	
	0				6				E				5				
-89.71875	1	1	0	1	0	0	1	1	0	0	1	0	0	1	0	0	
	D				3				2				4				

To store a real number as `acc16_t`, use the `ACC16` macro.

### A.12 `acc32_t`

The `acc32_t` type is a signed 32-bit accumulator type. It is able to store the variables within the range  $<-65536 ; 65536$ ). Its definition is as follows:

```
typedef long acc32_t;
```

The following figure shows the way in which the data is stored by this type:

**Table 23. Data storage**

Value	31	24 23		16 15		8 7		0
	S	Integer				Fractional		
65535.999969	7	F	F	F	F	F	F	F
-65536.0	8	0	0	0	0	0	0	0
1.0	0	0	0	0	8	0	0	0
-1.0	F	F	F	F	8	0	0	0
23.789734	0	0	0	B	E	5	1	6
-1171.306793	F	D	B	6	5	8	B	C

To store a real number as `acc32_t`, use the `ACC32` macro.

### A.13 `GMCLIB_3COOR_T_F16`

The `GMCLIB_3COOR_T_F16` structure type corresponds to the three-phase stationary coordinate system, based on the A, B, and C components. Each member is of the `frac16_t` data type. The structure definition is as follows:

```
typedef struct
{
    frac16_t f16A;
    frac16_t f16B;
    frac16_t f16C;
} GMCLIB_3COOR_T_F16;
```

The structure description is as follows:

**Table 24. `GMCLIB_3COOR_T_F16` members description**

Type	Name	Description
<code>frac16_t</code>	f16A	A component; 16-bit fractional type
<code>frac16_t</code>	f16B	B component; 16-bit fractional type
<code>frac16_t</code>	f16C	C component; 16-bit fractional type

## A.14 GMCLIB\_2COOR\_ALBE\_T\_F16

The [GMCLIB\\_2COOR\\_ALBE\\_T\\_F16](#) structure type corresponds to the two-phase stationary coordinate system, based on the Alpha and Beta orthogonal components. Each member is of the [frac16\\_t](#) data type. The structure definition is as follows:

```
typedef struct
{
    frac16_t f16Alpha;
    frac16_t f16Beta;
} GMCLIB_2COOR_ALBE_T_F16;
```

The structure description is as follows:

**Table 25. GMCLIB\_2COOR\_ALBE\_T\_F16 members description**

Type	Name	Description
<a href="#">frac16_t</a>	f16Alpha	$\alpha$ -component; 16-bit fractional type
<a href="#">frac16_t</a>	f16Beta	$\beta$ -component; 16-bit fractional type

## A.15 GMCLIB\_2COOR\_DQ\_T\_F16

The [GMCLIB\\_2COOR\\_DQ\\_T\\_F16](#) structure type corresponds to the two-phase rotating coordinate system, based on the D and Q orthogonal components. Each member is of the [frac16\\_t](#) data type. The structure definition is as follows:

```
typedef struct
{
    frac16_t f16D;
    frac16_t f16Q;
} GMCLIB_2COOR_DQ_T_F16;
```

The structure description is as follows:

**Table 26. GMCLIB\_2COOR\_DQ\_T\_F16 members description**

Type	Name	Description
<a href="#">frac16_t</a>	f16D	D-component; 16-bit fractional type
<a href="#">frac16_t</a>	f16Q	Q-component; 16-bit fractional type

## A.16 GMCLIB\_2COOR\_DQ\_T\_F32

The [GMCLIB\\_2COOR\\_DQ\\_T\\_F32](#) structure type corresponds to the two-phase rotating coordinate system, based on the D and Q orthogonal components. Each member is of the [frac32\\_t](#) data type. The structure definition is as follows:

```
typedef struct
{
    frac32_t f32D;
    frac32_t f32Q;
} GMCLIB_2COOR_DQ_T_F32;
```

The structure description is as follows:



Table 27. GMCLIB\_2COOR\_DQ\_T\_F32 members description

Type	Name	Description
<a href="#">frac32_t</a>	f32D	D-component; 32-bit fractional type
<a href="#">frac32_t</a>	f32Q	Q-component; 32-bit fractional type

## A.17 GMCLIB\_2COOR\_SINCOS\_T\_F16

The [GMCLIB\\_2COOR\\_SINCOS\\_T\\_F16](#) structure type corresponds to the two-phase coordinate system, based on the Sin and Cos components of a certain angle. Each member is of the [frac16\\_t](#) data type. The structure definition is as follows:

```
typedef struct
{
    frac16_t f16Sin;
    frac16_t f16Cos;
} GMCLIB_2COOR_SINCOS_T_F16;
```

The structure description is as follows:

Table 28. GMCLIB\_2COOR\_SINCOS\_T\_F16 members description

Type	Name	Description
<a href="#">frac16_t</a>	f16Sin	Sin component; 16-bit fractional type
<a href="#">frac16_t</a>	f16Cos	Cos component; 16-bit fractional type

## A.18 FALSE

The [FALSE](#) macro serves to write a correct value standing for the logical FALSE value of the [bool\\_t](#) type. Its definition is as follows:

```
#define FALSE ((bool_t)0)
```

```
#include "mlib.h"

static bool_t bVal;

void main(void)
{
    bVal = FALSE;           /* bVal = FALSE */
}
```

## A.19 TRUE

The [TRUE](#) macro serves to write a correct value standing for the logical TRUE value of the [bool\\_t](#) type. Its definition is as follows:

```
#define TRUE ((bool_t)1)
```

```
#include "mlib.h"

static bool_t bVal;
```

```
void main(void)
{
    bVal = TRUE;          /* bVal = TRUE */
}
```

## A.20 FRAC8

The **FRAC8** macro serves to convert a real number to the **frac8\_t** type. Its definition is as follows:

```
#define FRAC8(x) ((frac8_t)((x) < 0.9921875 ? ((x) >= -1 ? (x)*0x80 : 0x80) : 0x7F))
```

The input is multiplied by 128 ( $=2^7$ ). The output is limited to the range  $\langle 0x80 ; 0x7F \rangle$ , which corresponds to  $\langle -1.0 ; 1.0 \cdot 2^{-7} \rangle$ .

```
#include "mlib.h"

static frac8_t f8Val;

void main(void)
{
    f8Val = FRAC8(0.187);          /* f8Val = 0.187 */
}
```

## A.21 FRAC16

The **FRAC16** macro serves to convert a real number to the **frac16\_t** type. Its definition is as follows:

```
#define FRAC16(x) ((frac16_t)((x) < 0.999969482421875 ? ((x) >= -1 ? (x)*0x8000 : 0x8000) : 0x7FFF))
```

The input is multiplied by 32768 ( $=2^{15}$ ). The output is limited to the range  $\langle 0x8000 ; 0x7FFF \rangle$ , which corresponds to  $\langle -1.0 ; 1.0 \cdot 2^{-15} \rangle$ .

```
#include "mlib.h"

static frac16_t f16Val;

void main(void)
{
    f16Val = FRAC16(0.736);          /* f16Val = 0.736 */
}
```

## A.22 FRAC32

The **FRAC32** macro serves to convert a real number to the **frac32\_t** type. Its definition is as follows:

```
#define FRAC32(x) ((frac32_t)((x) < 1 ? ((x) >= -1 ? (x)*0x80000000 : 0x80000000) : 0x7FFFFFFF))
```

The input is multiplied by 2147483648 ( $=2^{31}$ ). The output is limited to the range  $\langle 0x80000000 ; 0x7FFFFFFF \rangle$ , which corresponds to  $\langle -1.0 ; 1.0 \cdot 2^{-31} \rangle$ .

```
#include "mlib.h"

static frac32_t f32Val;

void main(void)
{
    f32Val = FRAC32(-0.1735667);          /* f32Val = -0.1735667 */
}
```

## A.23 ACC16

The **ACC16** macro serves to convert a real number to the **acc16\_t** type. Its definition is as follows:

```
#define ACC16(x) ((acc16_t)((x) < 255.9921875 ? ((x) >= -256 ? (x)*0x80 : 0x8000) : 0x7FFF))
```

The input is multiplied by 128 ( $=2^7$ ). The output is limited to the range  $\langle 0x8000 ; 0x7FFF \rangle$  that corresponds to  $\langle -256.0 ; 255.9921875 \rangle$ .

```
#include "mlib.h"

static acc16_t a16Val;

void main(void)
{
    a16Val = ACC16(19.45627);           /* a16Val = 19.45627 */
}
```

## A.24 ACC32

The **ACC32** macro serves to convert a real number to the **acc32\_t** type. Its definition is as follows:

```
#define ACC32(x) ((acc32_t)((x) < 65535.999969482421875 ? ((x) >= -65536 ? (x)*0x8000 : 0x80000000) : 0x7FFFFFFF))
```

The input is multiplied by 32768 ( $=2^{15}$ ). The output is limited to the range  $\langle 0x80000000 ; 0x7FFFFFFF \rangle$ , which corresponds to  $\langle -65536.0 ; 65536.0 \cdot 2^{-15} \rangle$ .

```
#include "mlib.h"

static acc32_t a32Val;

void main(void)
{
    a32Val = ACC32(-13.654437);        /* a32Val = -13.654437 */
}
```

### **How To Reach Us**

#### **Home Page:**

[nxp.com](http://nxp.com)

#### **Web Support:**

[nxp.com/support](http://nxp.com/support)

**Limited warranty and liability**— Information in this document is provided solely to enable system and software implementers to use NXP products. There are no express or implied copyright licenses granted hereunder to design or fabricate any integrated circuits based on the information in this document. NXP reserves the right to make changes without further notice to any products herein.

NXP makes no warranty, representation, or guarantee regarding the suitability of its products for any particular purpose, nor does NXP assume any liability arising out of the application or use of any product or circuit, and specifically disclaims any and all liability, including without limitation consequential or incidental damages. "Typical" parameters that may be provided in NXP data sheets and/or specifications can and do vary in different applications, and actual performance may vary over time. All operating parameters, including "typicals," must be validated for each customer application by customer's technical experts. NXP does not convey any license under its patent rights nor the rights of others. NXP sells products pursuant to standard terms and conditions of sale, which can be found at the following address: [nxp.com/SalesTermsandConditions](http://nxp.com/SalesTermsandConditions).

**Right to make changes** - NXP Semiconductors reserves the right to make changes to information published in this document, including without limitation specifications and product descriptions, at any time and without notice. This document supersedes and replaces all information supplied prior to the publication hereof.

**Security**— Customer understands that all NXP products may be subject to unidentified or documented vulnerabilities. Customer is responsible for the design and operation of its applications and products throughout their lifecycles to reduce the effect of these vulnerabilities on customer's applications and products. Customer's responsibility also extends to other open and/or proprietary technologies supported by NXP products for use in customer's applications. NXP accepts no liability for any vulnerability. Customer should regularly check security updates from NXP and follow up appropriately. Customer shall select products with security features that best meet rules, regulations, and standards of the intended application and make the ultimate design decisions regarding its products and is solely responsible for compliance with all legal, regulatory, and security related requirements concerning its products, regardless of any information or support that may be provided by NXP. NXP has a Product Security Incident Response Team (PSIRT) (reachable at [PSIRT@nxp.com](mailto:PSIRT@nxp.com)) that manages the investigation, reporting, and solution release to security vulnerabilities of NXP products.

NXP, the NXP logo, NXP SECURE CONNECTIONS FOR A SMARTER WORLD, COOLFLUX, EMBRACE, GREENCHIP, HITAG, ICODE, JCOP, LIFE, VIBES, MIFARE, MIFARE CLASSIC, MIFARE DESFire, MIFARE PLUS, MIFARE FLEX, MANTIS, MIFARE ULTRALIGHT, MIFARE4MOBILE, MIGLO, NTAG, ROADLINK, SMARTLX, SMARTMX, STARPLUG, TOPFET, TRENCHMOS, UCODE, Freescale, the Freescale logo, Altivec, CodeWarrior, ColdFire, ColdFire+, the Energy Efficient Solutions logo, Kinetis, Layerscape, MagniV, mobileGT, PEG, PowerQUICC, Processor Expert, QorIQ, QorIQ Qonverge, SafeAssure, the SafeAssure logo, StarCore, Symphony, VortiQa, Vybrid, Airfast, BeeKit, BeeStack, CoreNet, Flexis, MXC, Platform in a Package, QUICC Engine, Tower, TurboLink, EdgeScale, EdgeLock, eIQ, and Immersive3D are trademarks of NXP B.V. All other product or service names are the property of their respective owners. AMBA, Arm, Arm7, Arm7TDMI, Arm9, Arm11, Artisan, big.LITTLE, Cordio, CoreLink, CoreSight, Cortex, DesignStart, DynamIQ, Jazelle, Keil, Mali, Mbed, Mbed Enabled, NEON, POP, RealView, SecurCore, Socrates, Thumb, TrustZone, ULINK, ULINK2, ULINK-ME, ULINK-PLUS, ULINKpro, µVision, Versatile are trademarks or registered trademarks of Arm Limited (or its subsidiaries) in the US and/or elsewhere. The related technology may be protected by any or all of patents, copyrights, designs and trade secrets. All rights reserved. Oracle and Java are registered trademarks of Oracle and/or its affiliates. The Power Architecture and Power.org word marks and the Power and Power.org logos and related marks are trademarks and service marks licensed by Power.org. M, M Mobileye and other Mobileye trademarks or logos appearing herein are trademarks of Mobileye Vision Technologies Ltd. in the United States, the EU and/or other jurisdictions.

© NXP B.V. 2021.

All rights reserved.

For more information, please visit: <http://www.nxp.com>

For sales office addresses, please send an email to: [salesaddresses@nxp.com](mailto:salesaddresses@nxp.com)

Date of release: 01 November 2021

Document identifier: CM4AMCLIBUG