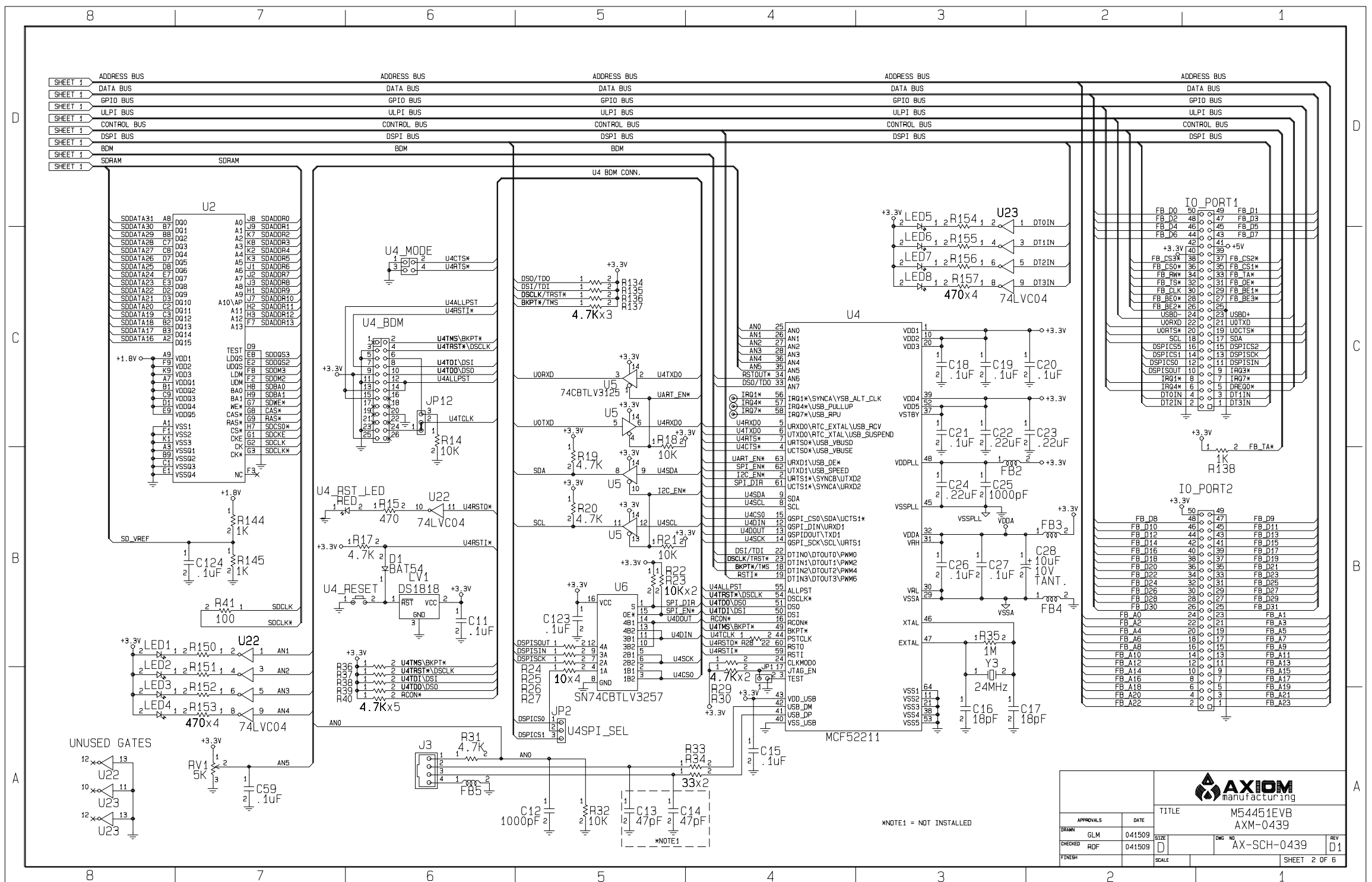


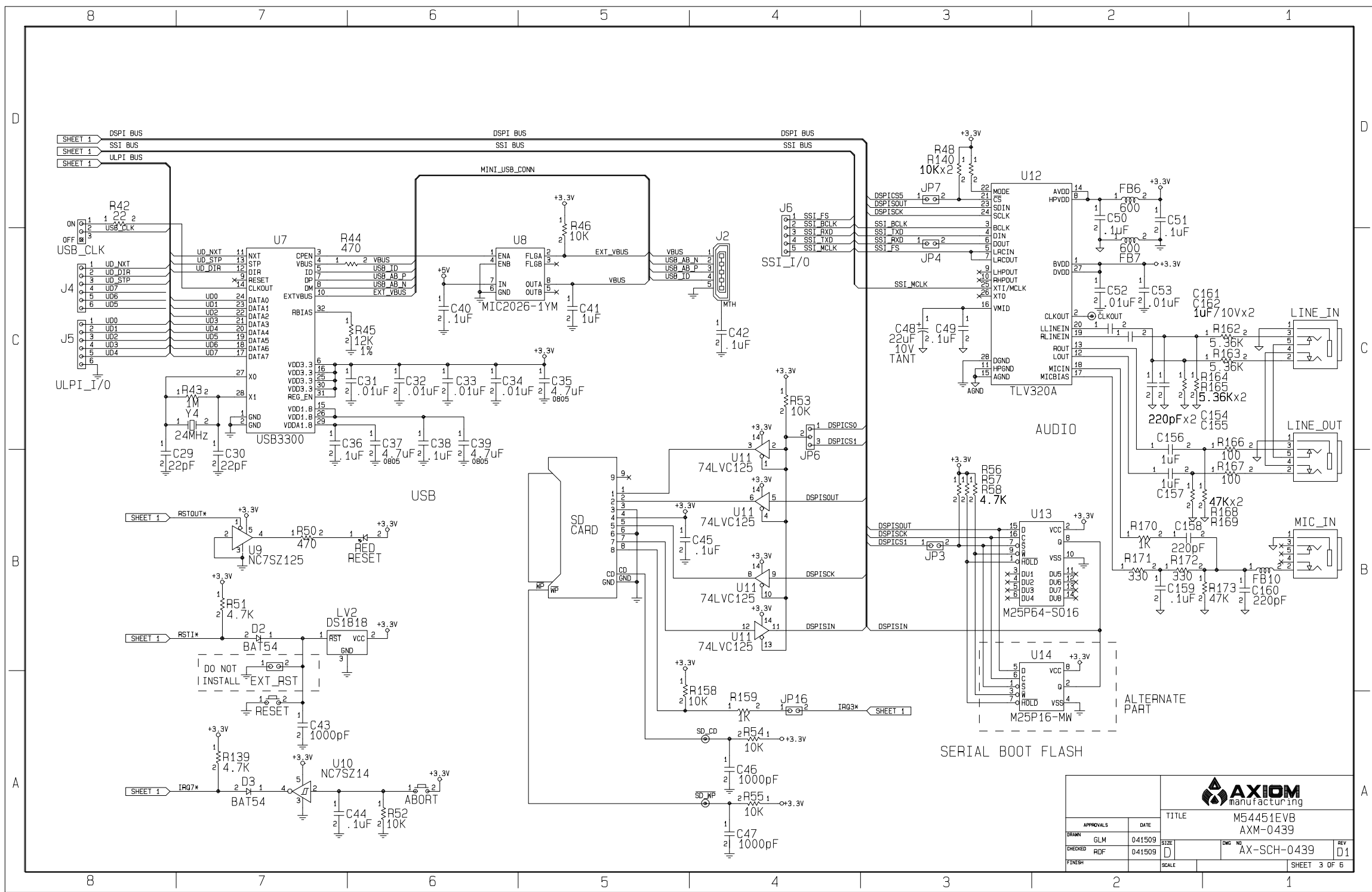
APPROVALS		DATE	
BRANN	GLM	041509	
CHECKED	PDF	041509	
FINISH			

TITLE			
M54451EVb AXM-0439			
DWG NO		REV	
AX-SCH-0439		D1	
SCALE		SHEET 1 OF 6	

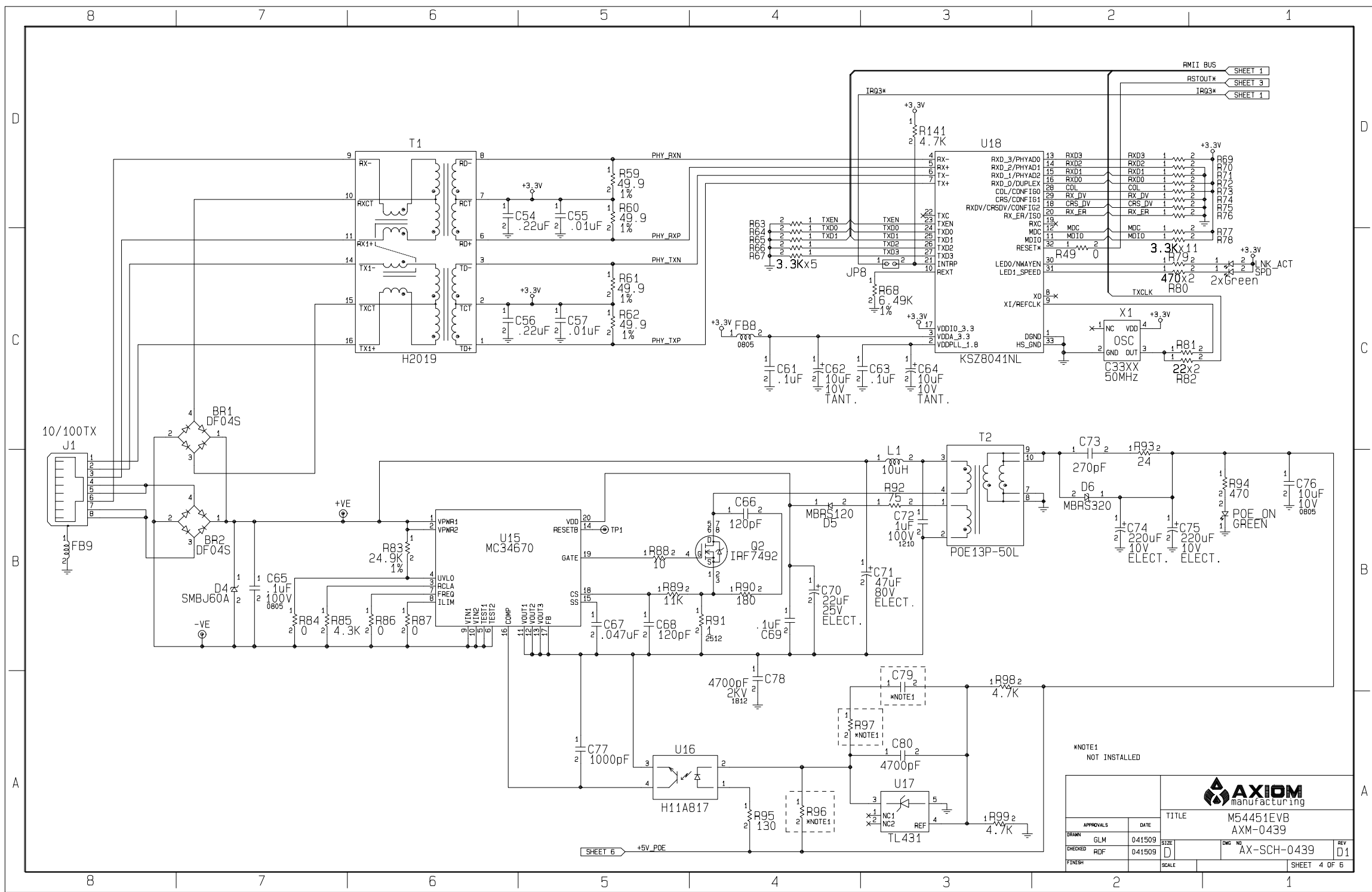


APPROVALS		DATE	TITLE	
BRANN	GLM	041509	M54451EV8 AXM-0439	
CHECKED	PDF	041509	SIZE	D
FINISH		SCALE	DWG NO	AX-SCH-0439
			REV	D1
			SHEET 2 OF 6	

*NOTE1 = NOT INSTALLED



APPROVALS		DATE	TITLE	
BRANN	GLM	041509	M54451EVB AXM-0439	
CHECKED	PDF	041509	SIZE	DWG NO
FINISH			SCALE	AX-SCH-0439
			REV D1	
			SHEET 3 OF 6	

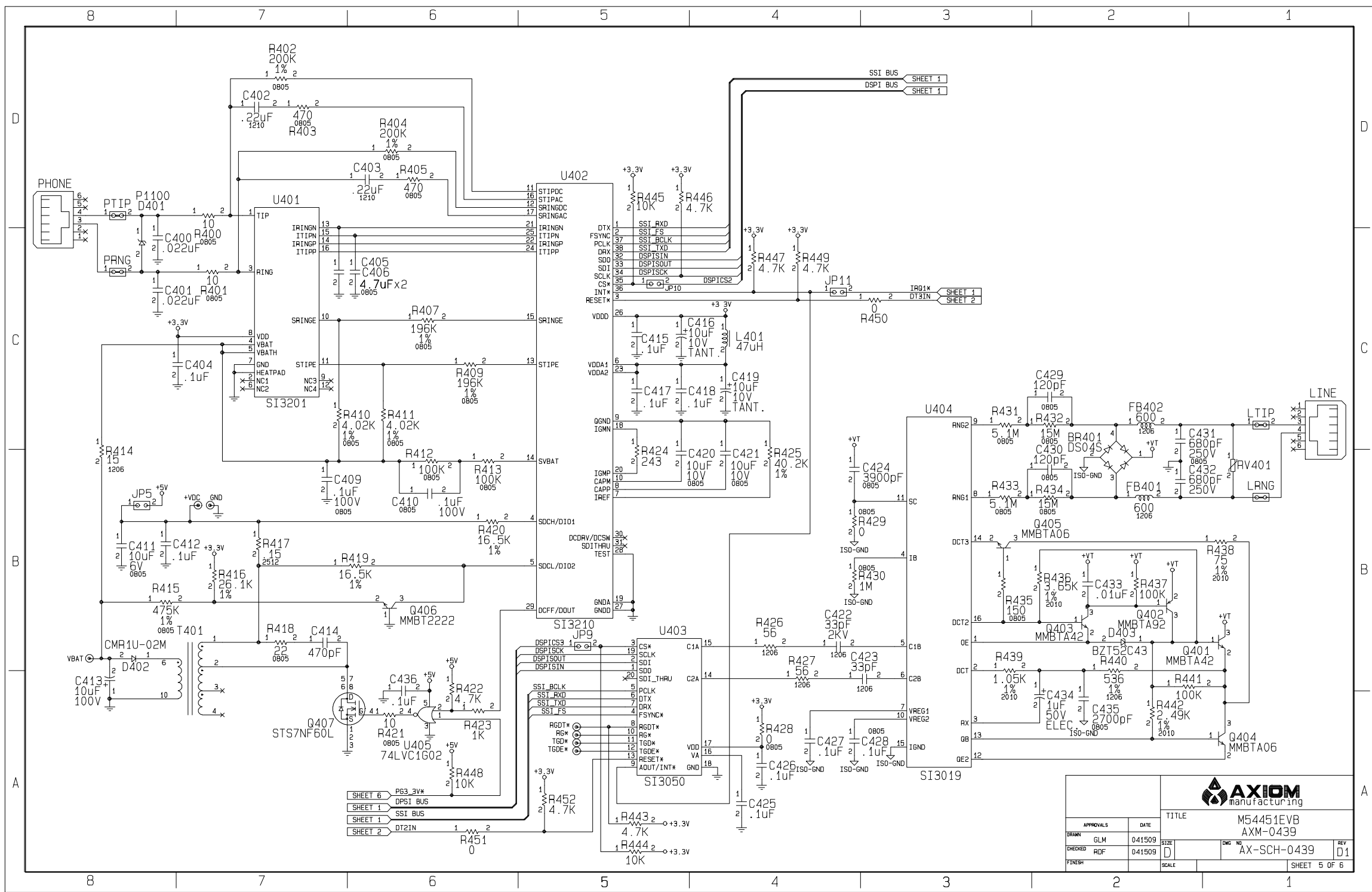


*NOTE1
NOT INSTALLED

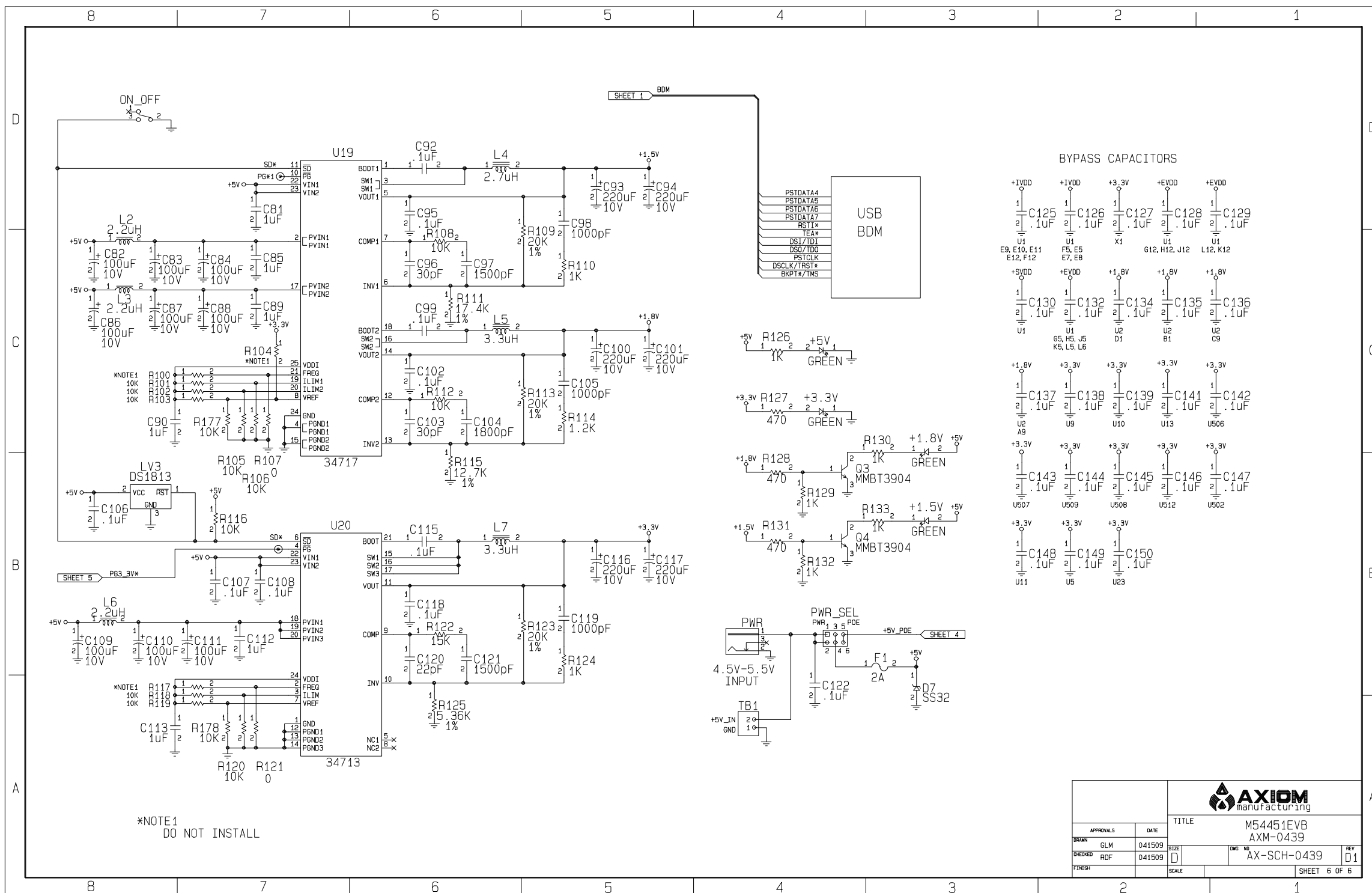
APPROVALS		DATE	
BRANN	GLM	041509	
CHECKED	PDF	041509	
FINISH			

TITLE		M54451EVB	
		AXM-0439	
SIZE	D	DWG NO	AX-SCH-0439
REV	D1	SCALE	

SHEET 4 OF 6



APPROVALS		DATE	TITLE	
DRANN	GLM	041509	M54451EVb AXM-0439	
CHECKED	PDF	041509	SIZE	DWG NO
FINISH		SCALE	AX-SCH-0439	
			REV D1	
			SHEET 5 OF 6	



ON_OFF

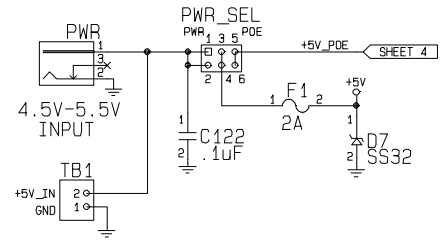
SHEET 1 BDM

USB BDM

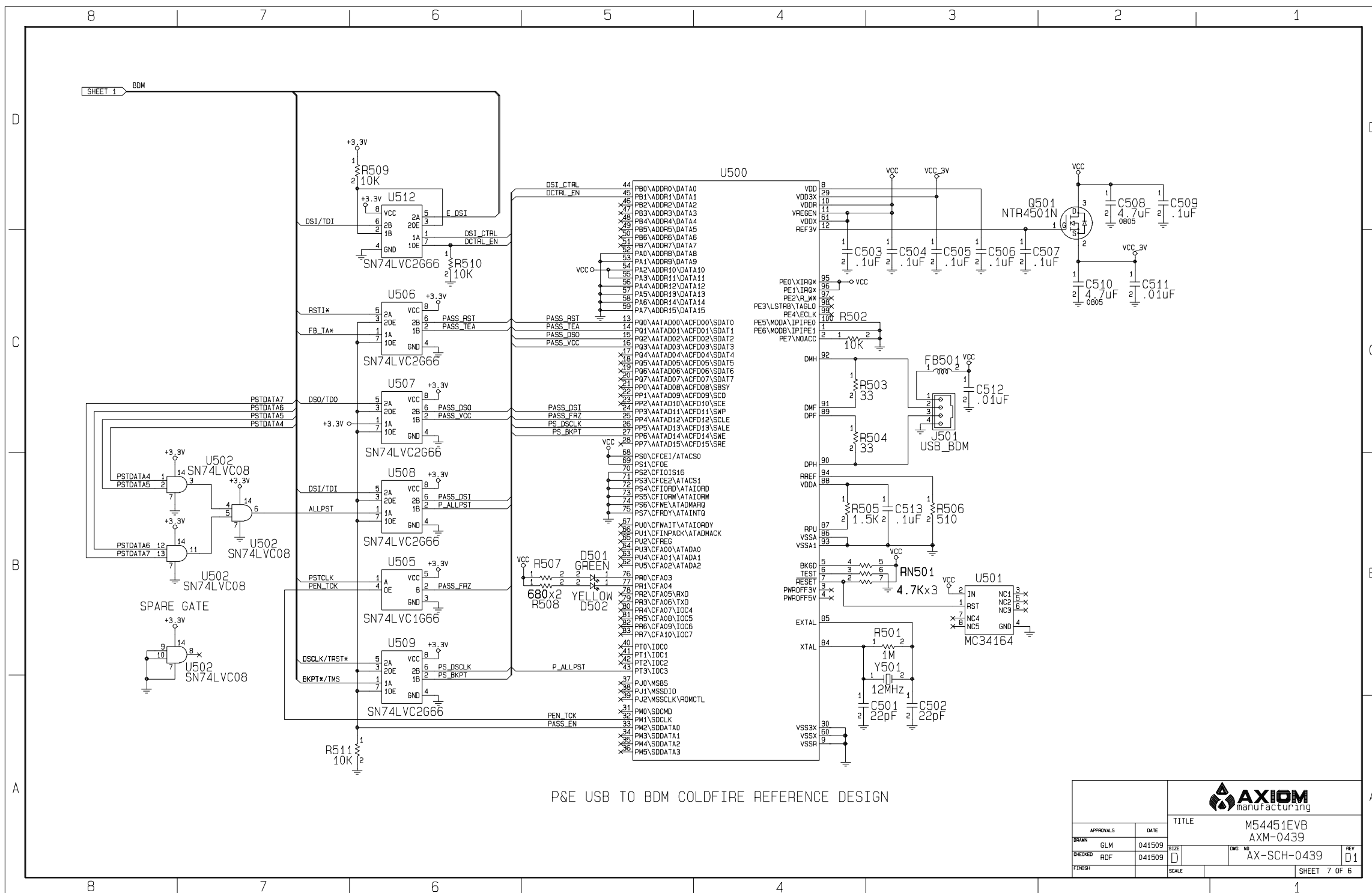
BYPASS CAPACITORS

*NOTE1
DO NOT INSTALL

SHEET 5 PG3_3V*



		AXIOM manufacturing	
		TITLE M54451EVB AXM-0439	
APPROVALS	DATE	SIZE	DWG NO
BRANN GLM	041509	D	AX-SCH-0439
CHECKED RJD	041509		REV D1
FINISH		SCALE	SHEET 6 OF 6



P&E USB TO BDM COLDFIRE REFERENCE DESIGN

APPROVALS		DATE	TITLE	
DRANN	GLM	041509	M54451EVB AXM-0439	
CHECKED	PDF	041509	SIZE	D
FINISH		SCALE	DWG NO	AX-SCH-0439
				REV D1
				SHEET 7 OF 6