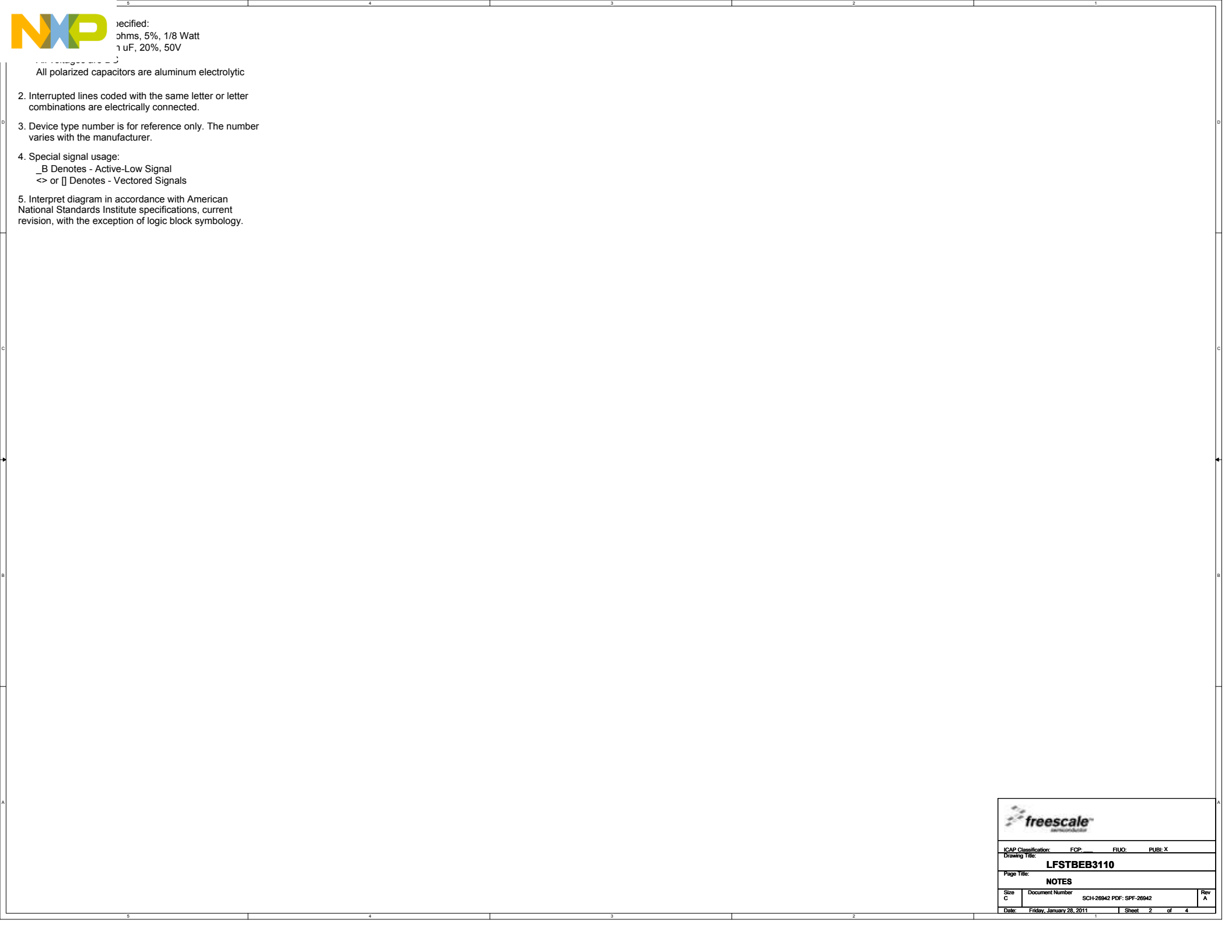




Contents
Automatic
.C

Revisions			
Rev	Description	Date	Approved
A	Original Release	DATE	DESIGNER

		RF, Analog & Sensor Group	
		6501 William Cannon Drive West Austin, TX 78755-5598	
This document contains information proprietary to Freescale Semiconductor and shall not be used for engineering design, procurement or manufacture in whole or in part without the express written permission of Freescale Semiconductor.			
Designer: T. Ozyagcilar		ICAP Classification: FCP: FIUQ: PUBL: X	
Drawn by: S. Meja		LFSTBEB3110	
Approved: T. Ozyagcilar		Schematic Content	
Size C	Document Number SCH-26942 PDF: SPP-26942	Rev A	
Date: Friday, January 28, 2011	Sheet 1	of 4	



5	4	3	2	1
D				
C				
B				
A				
5	4	3	2	1

NXP specified:
ohms, 5%, 1/8 Watt
1 uF, 20%, 50V


All polarized capacitors are aluminum electrolytic

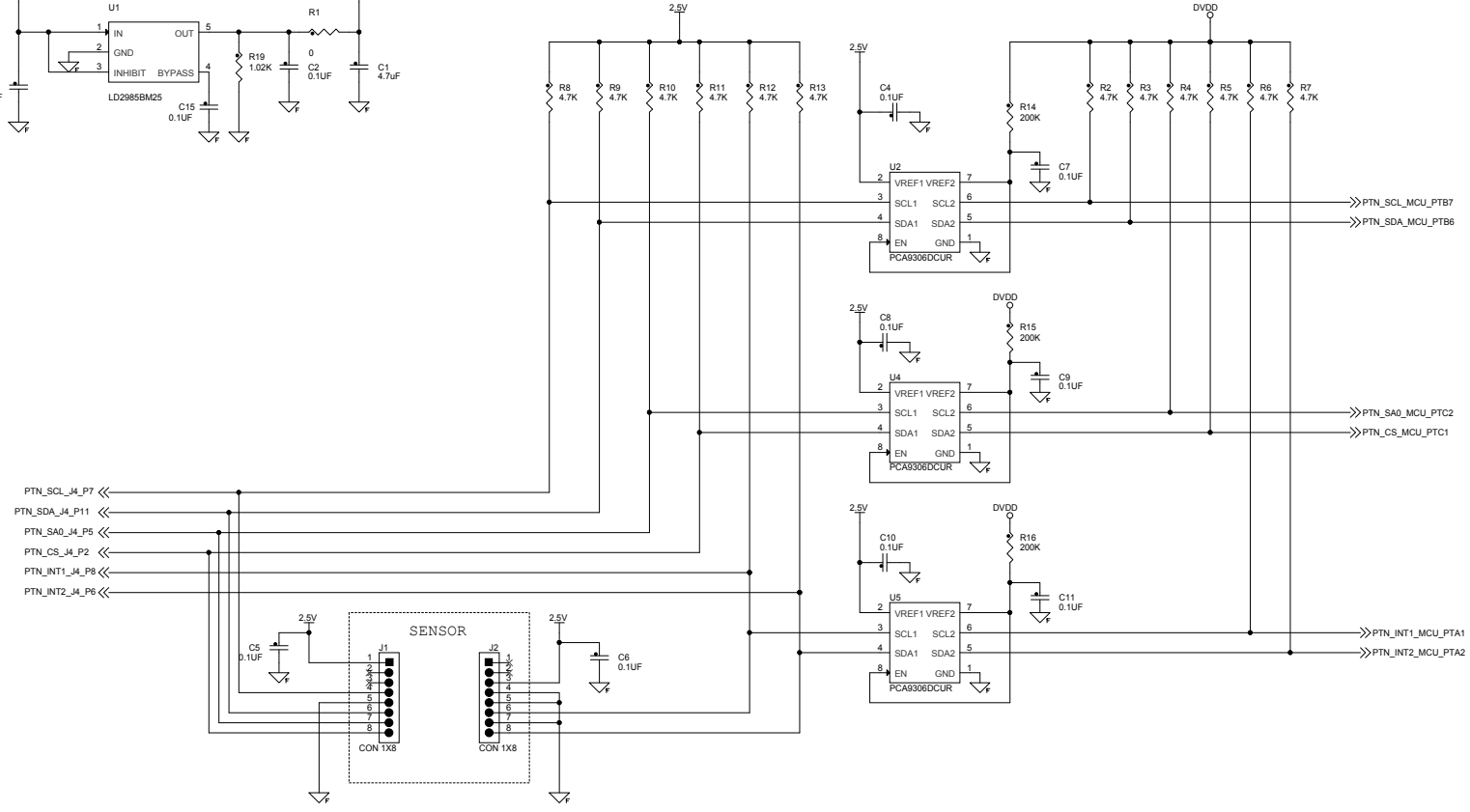
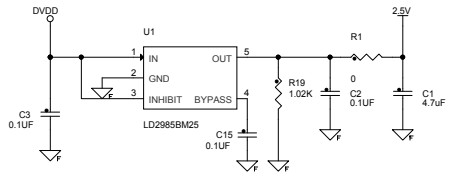
2. Interrupted lines coded with the same letter or letter combinations are electrically connected.

3. Device type number is for reference only. The number varies with the manufacturer.

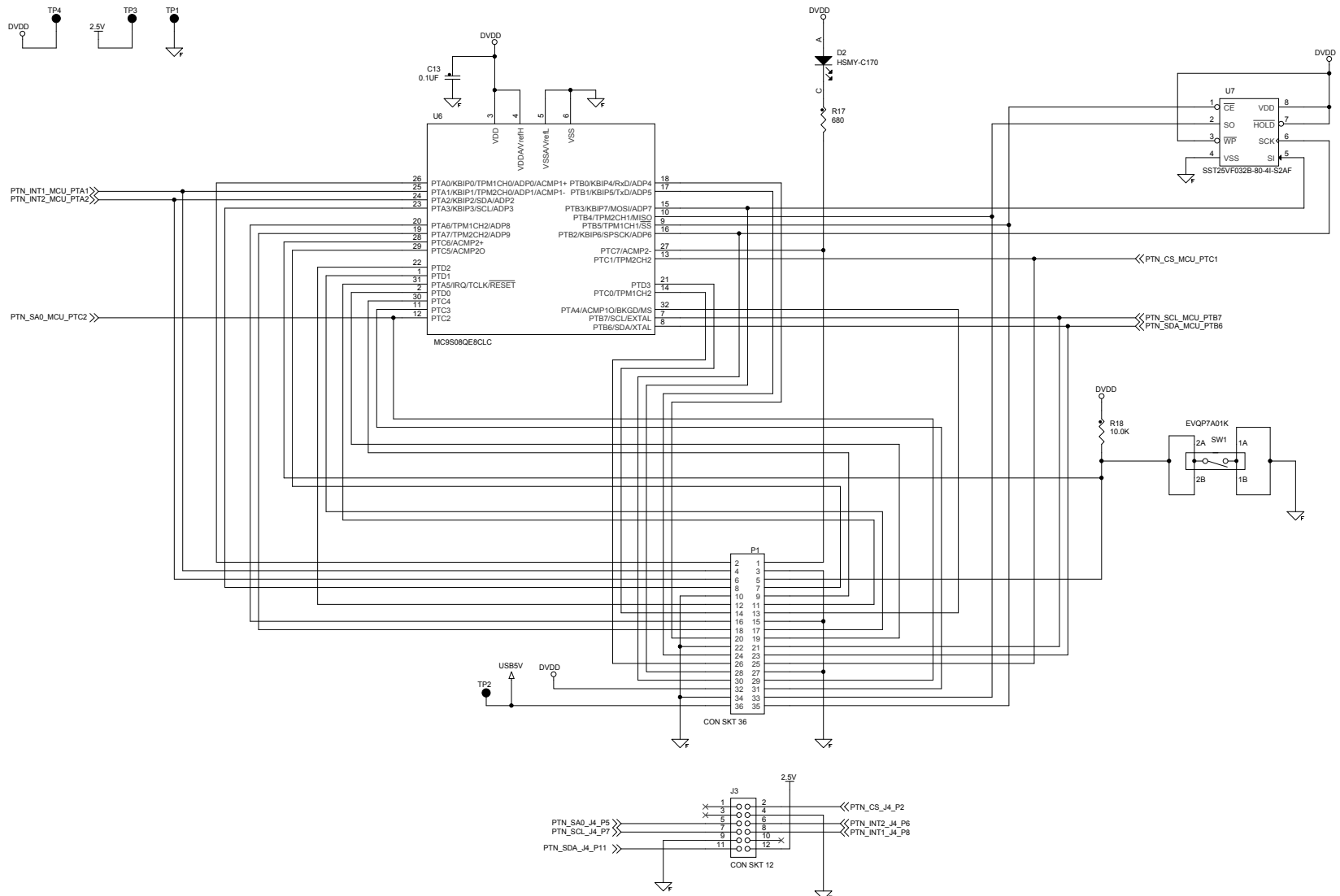
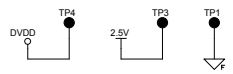
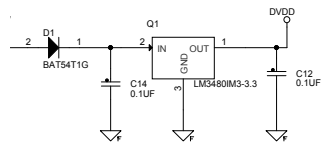
4. Special signal usage:
_B Denotes - Active-Low Signal
<> or [] Denotes - Vectored Signals

5. Interpret diagram in accordance with American National Standards Institute specifications, current revision, with the exception of logic block symbology.

			
ICAP Classification: FCP: FIUC: PUBI: X			
Drawing Title: LFSTBEB3110			
Page Title: NOTES			
Size C	Document Number SCH-26942 PDF: SPF-26942	Rev A	
Date: Friday, January 28, 2011	Sheet 2	of 4	



ICAP Classification:		FCP:	FIUC: PUBL: X
Drawing Title:			
LFBTBEB3110			
Page Title:			
MAG3110 Sensor			
Size	Document Number	SCH-26942 PDF: SPF-26942	Rev A
Date: Friday, January 28, 2011		Sheet 3	of 4



ICAP Classification: FCP		FIUC: PUBI: X	
Drawing Title: LFSTBEB3110			
Page Title: MCU Schematic			
Size	Document Number	Rev A	
C	SCH-26942 PDF: SPF-26942		
Date:	Friday, January 28, 2011	Sheet	4 of 4