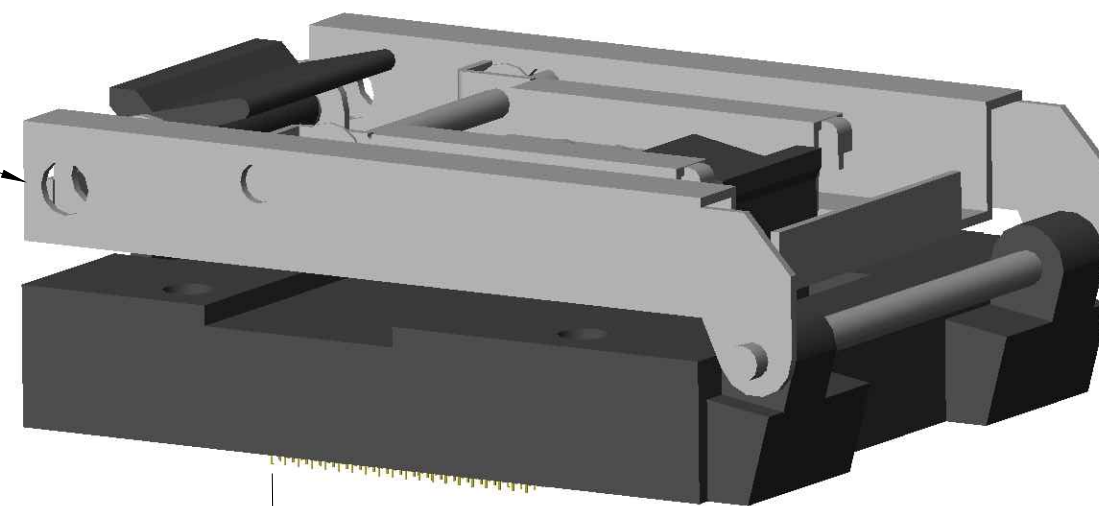
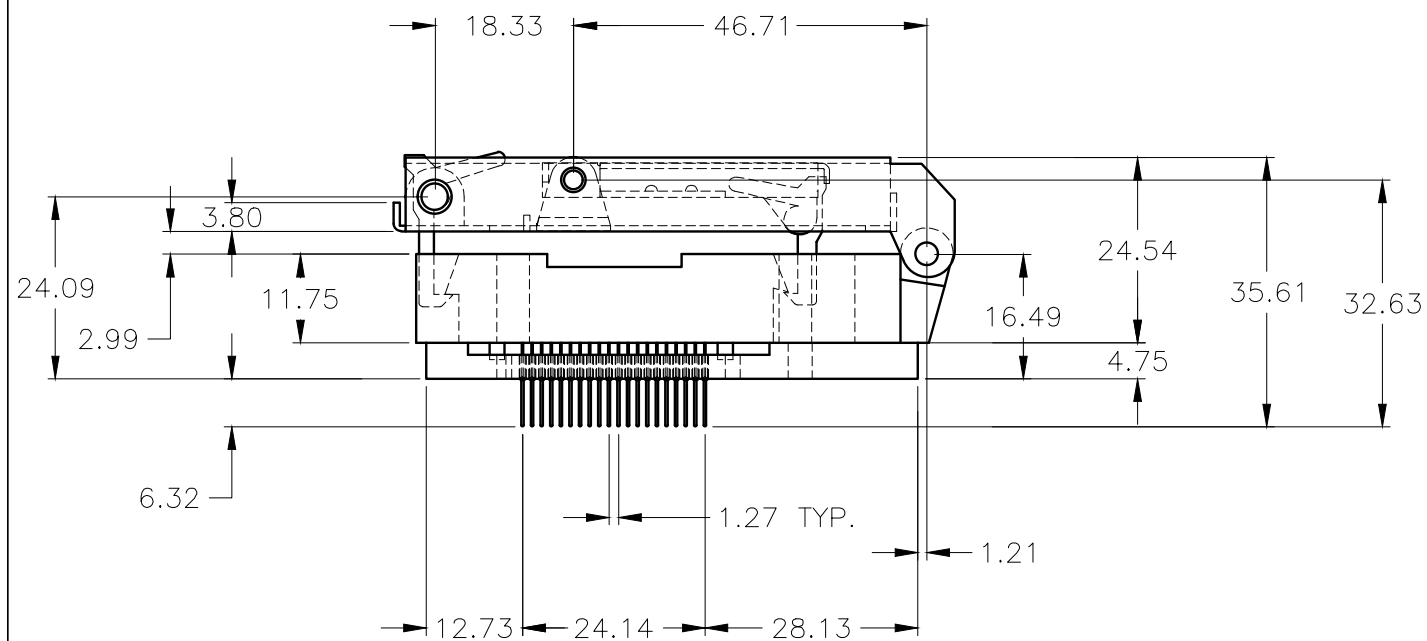
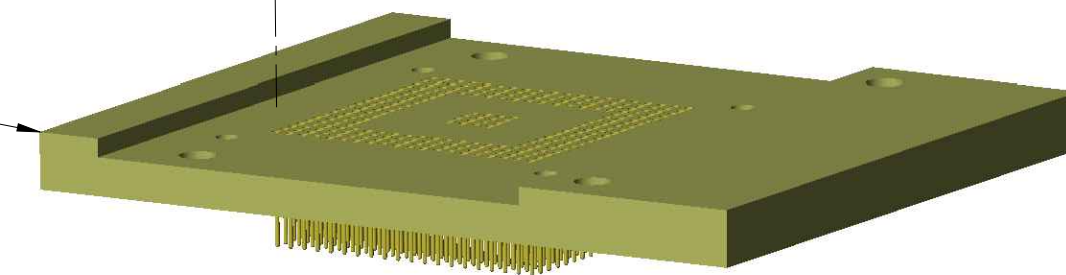


1



2



2	1	PIN ADAPTER	Adapters.com	030-1157-10
1	1	ZIF Socket	Enplas	LGA-272(441)-1.27-58-00
ITEM	QTY	NAME	MATERIAL	DESCRIPTION

Parts List

FILE NAME	LFSKTTTC.DWG
CONTRACT NO	-
DRAWN	02/12/08 MJL
CHECK	07/11/08 CJW
APPR.	05/10/2010 = WEB
ISSUED	
NOTE:	DIMENSIONS ARE IN MILLIMETERS DO NOT SCALE DRAWING



NXP Semiconductors  
28125 Cabot Drive, Suite 100  
Novi, Michigan 48377

BGA/LGA ZIF SOCKET  
272 PIN 1.27mm Pitch (Lead Free)

SIZE	FSCM NO	DWG NO	REV
B	-	LFSKTTTC	
SCALE	1:1	WEIGHT	SHEET 1 of 1