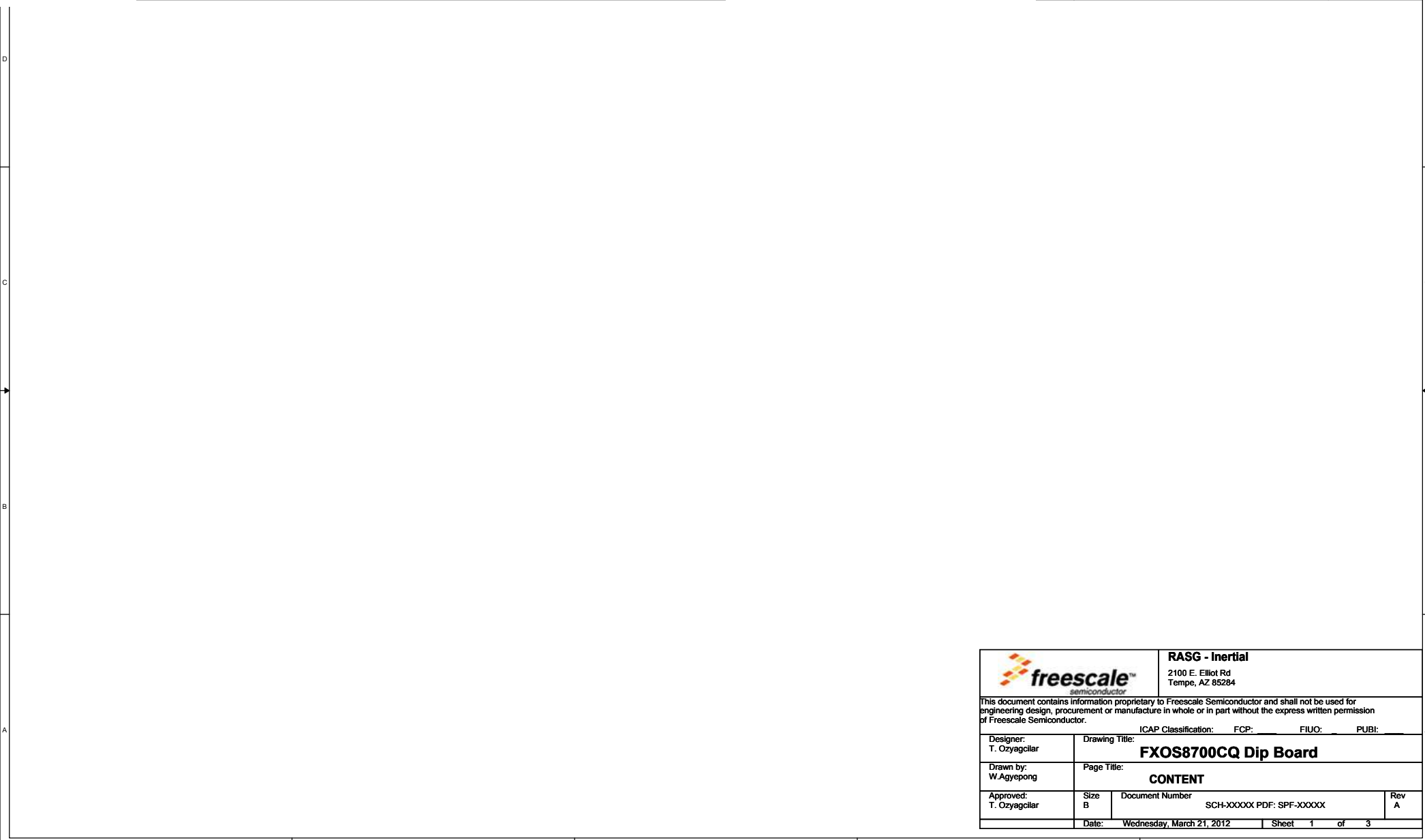



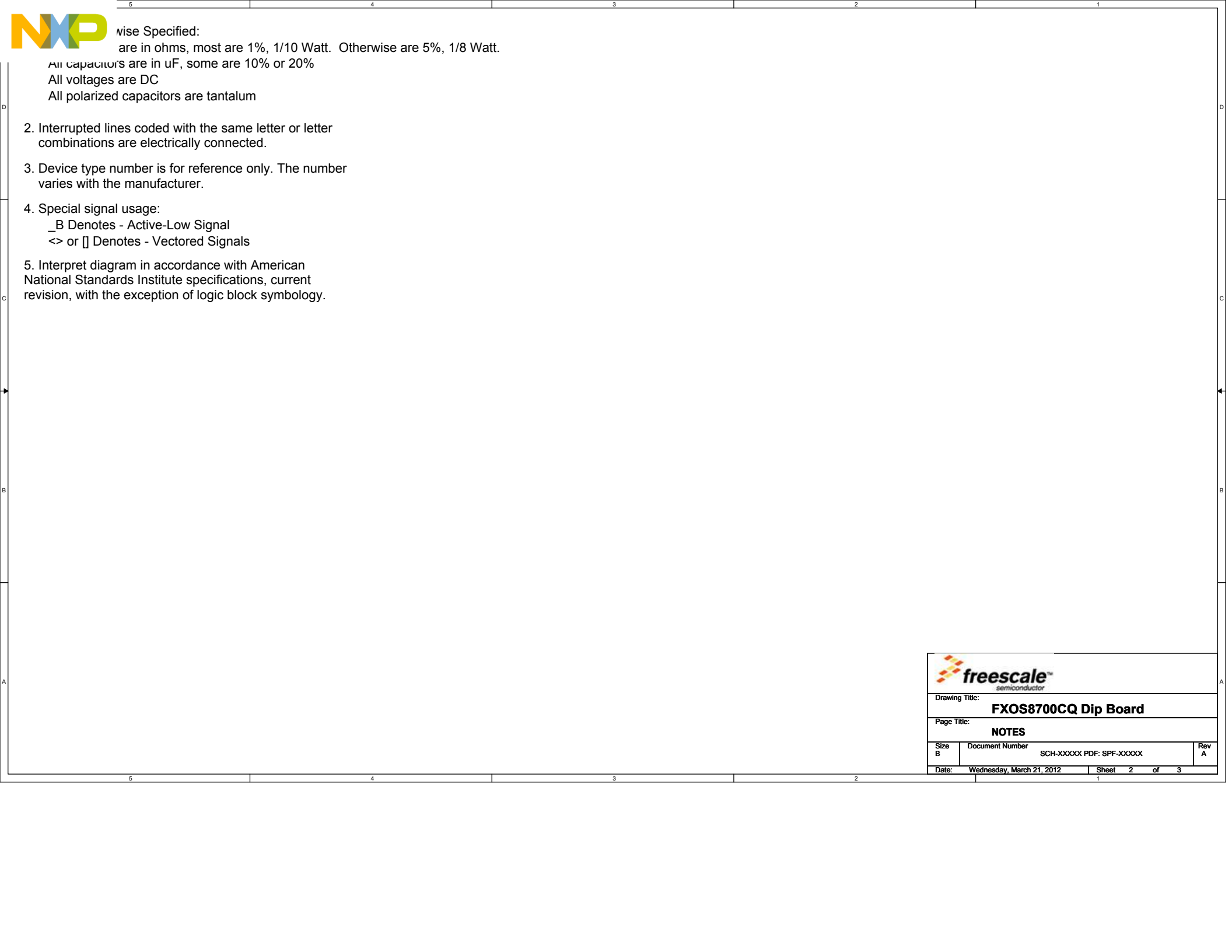


5	4	3	2	1
Table of Contents				
DCQ Dip Board Schematics				

Revisions		
Rev	Description	Date
A	Original Release	XX-XX-XX



		RASG - Inertial 2100 E. Elliot Rd Tempe, AZ 85284	
This document contains information proprietary to Freescale Semiconductor and shall not be used for engineering design, procurement or manufacture in whole or in part without the express written permission of Freescale Semiconductor.			
Designer: T. Ozyagcilar		Drawing Title: FXOS8700CQ Dip Board	
Drawn by: W. Agyepong		Page Title: CONTENT	
Approved: T. Ozyagcilar		Size B	Document Number SCH-XXXXX PDF: SPF-XXXXX
Date: Wednesday, March 21, 2012		Sheet 1	of 3
		Rev A	

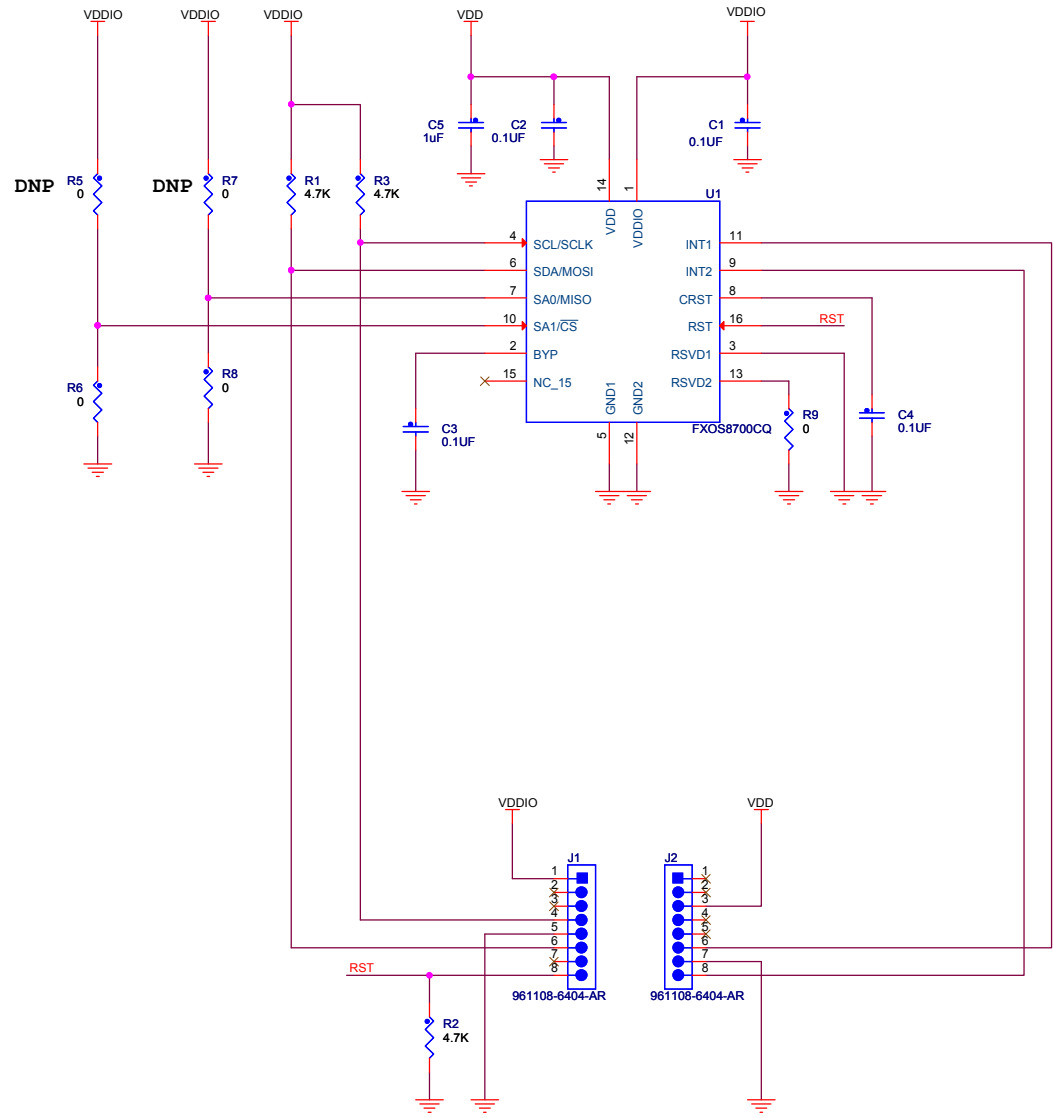


otherwise Specified:
 are in ohms, most are 1%, 1/10 Watt. Otherwise are 5%, 1/8 Watt.

All capacitors are in uF, some are 10% or 20%
 All voltages are DC
 All polarized capacitors are tantalum

2. Interrupted lines coded with the same letter or letter combinations are electrically connected.
3. Device type number is for reference only. The number varies with the manufacturer.
4. Special signal usage:
 _B Denotes - Active-Low Signal
 <> or [] Denotes - Vectored Signals
5. Interpret diagram in accordance with American National Standards Institute specifications, current revision, with the exception of logic block symbology.

Drawing Title: FXOS8700CQ Dip Board			
Page Title: NOTES			
Size B	Document Number SCH-XXXXX PDF: SPF-XXXXX	Rev A	
Date: Wednesday, March 21, 2012	Sheet 2 of 3		1



Drawing Title: FXOS8700CQ Dip Board			
Page Title: FXOS8700CQ Schematic			
Size B	Document Number	SCH-XXXXX PDF: SPF-XXXXX	Rev A
Date:	Wednesday, March 21, 2012	Sheet 3 of 3	