

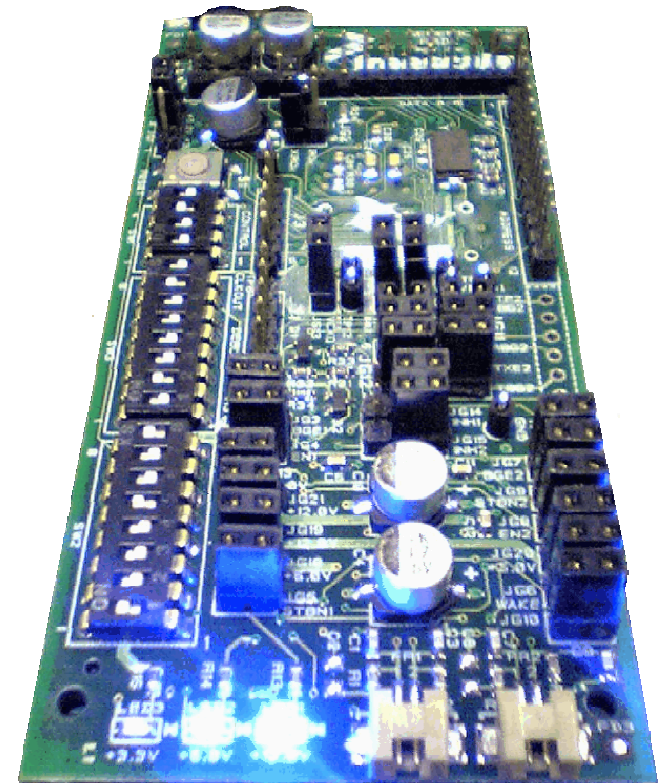
October 2006

Freescal^e Hardware Info



► **Freescale has developed an IP module which supports both MFR4200 and MFR4300 (FRDC)**

- Part numbers are FLXRAYIPMFR4200 and MFR4300FRDC
- The main features of the modules are:
 - MFR4200 or MFR4300 controller
 - 2 x IP connectors (Logic & IO) for signal routing
 - 2 x Philips TJA1080 Physical Layers
 - 2 x Channel Connectors
 - 40MHz Oscillator with Selectable Frequencies
 - HCS12 or AMI Mode Selection
 - 3.3V and 5V IO and MFR4xxx Voltage Selector
 - Selectable Reset Sources
 - Power LEDs

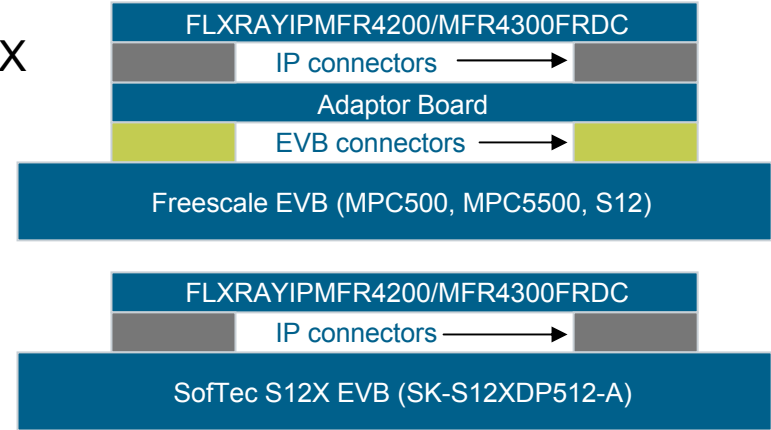


► **These are targeted for evaluation purposes with own or Freescale H/W**

Freescale Hardware–Adaptor Boards

► Freescale’s Adapter boards are an interface for the FRDC and Freescale EVBs

- Supported EBs are S12, MPC5xx, MPC55xx, S12X
- Part numbers are:
 - FLXRAYADPT500
 - FLXRAYADPT5500
 - SCFLXRAYADPTS12
- No Adaptor required for S12X solution



MPC55xx ADP



MPC5xx ADP



S12ADP



S12X

► **The EVBs which are used with the adaptor boards are:**

- CME564-available from Axiom
- MPC5553DEMO/MPC5554DEMO-available from Freescale.com
- M68KIT912DP256-available from Freescale.com



S12 System



MPC5xx System



MPC55xx System

