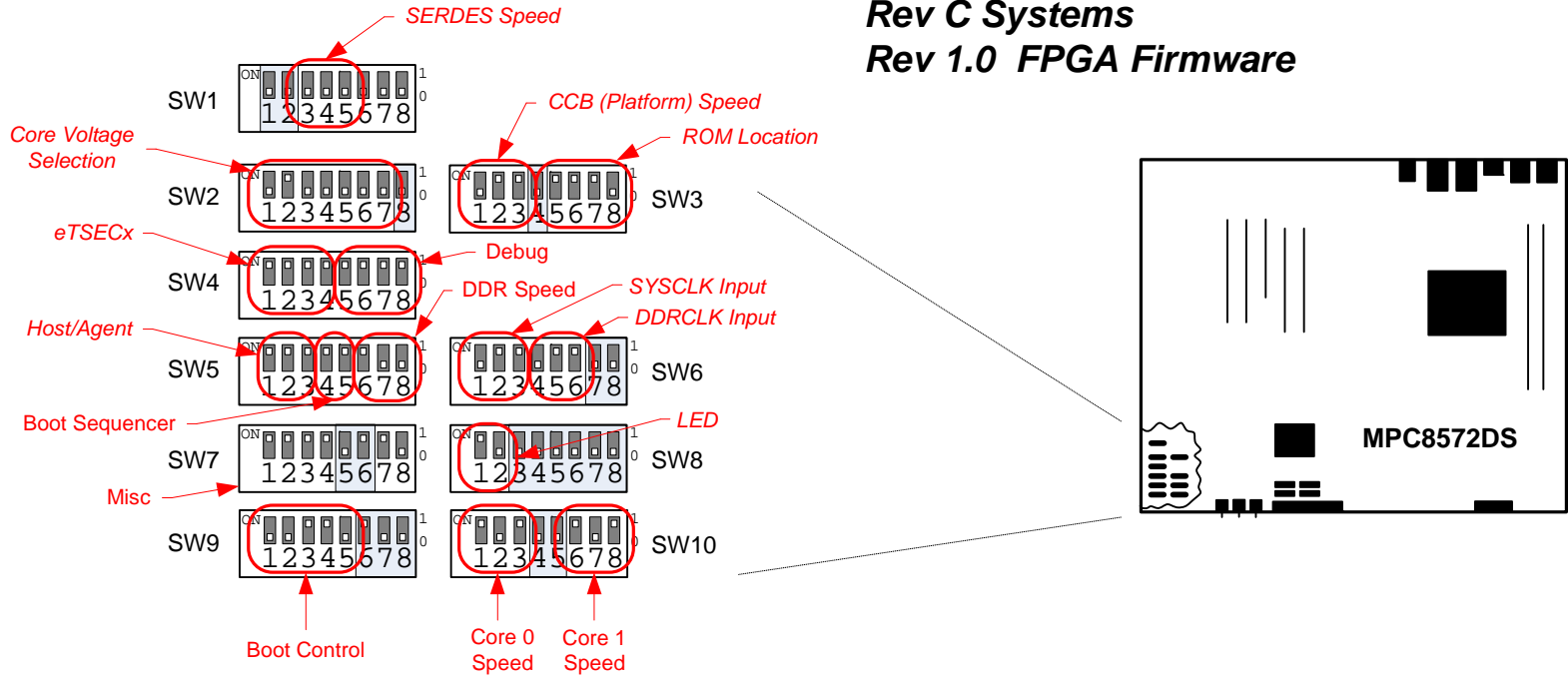


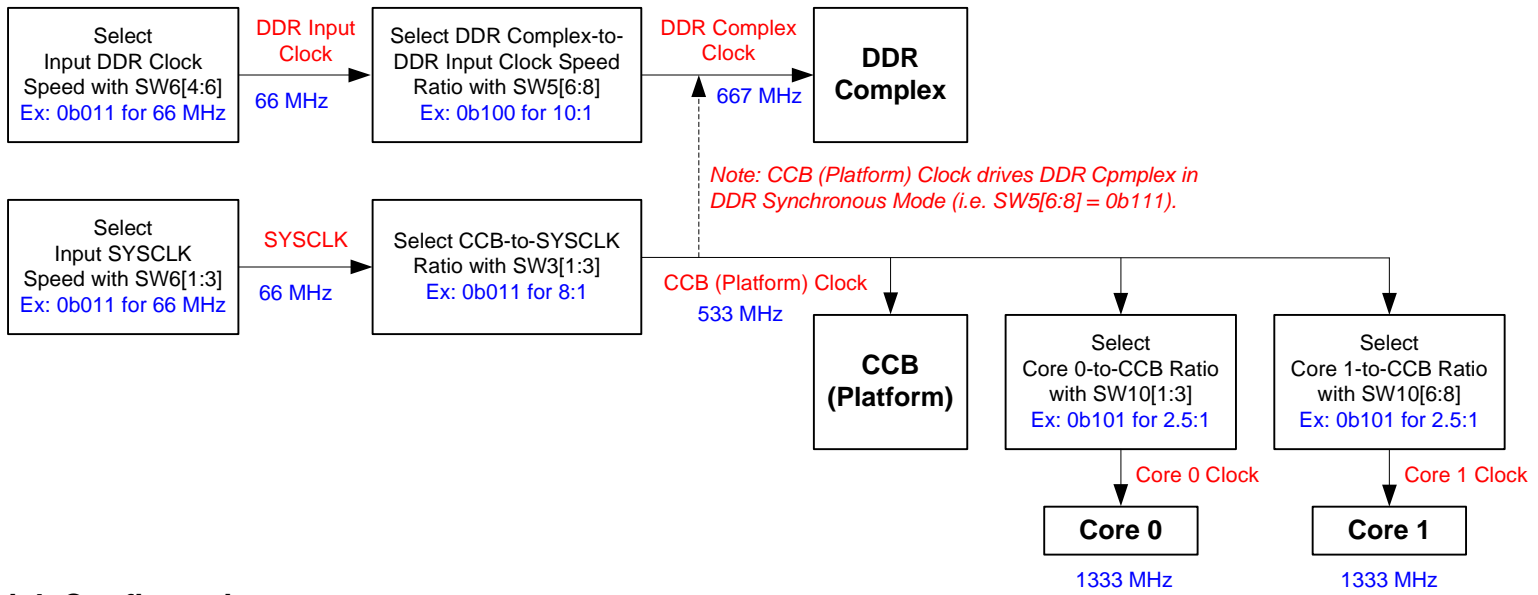


## Selection Switch Functional Overview:



## Simplified Clocking Control Diagram:

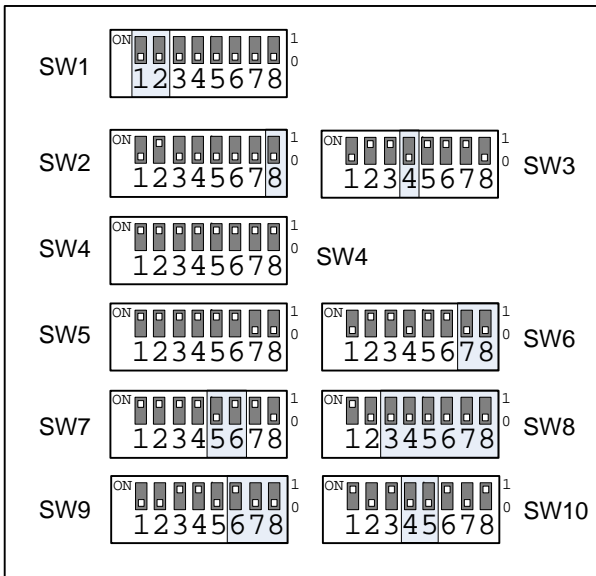
Shows clocking selection switch control with default settings example.



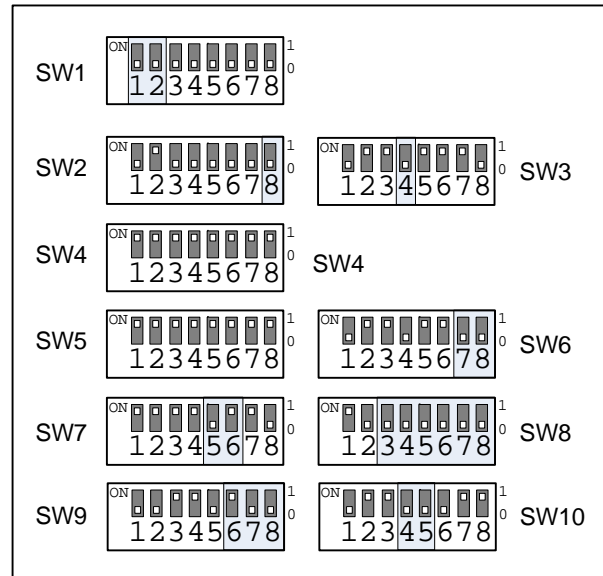
## Quick Configurations:

### Default Settings

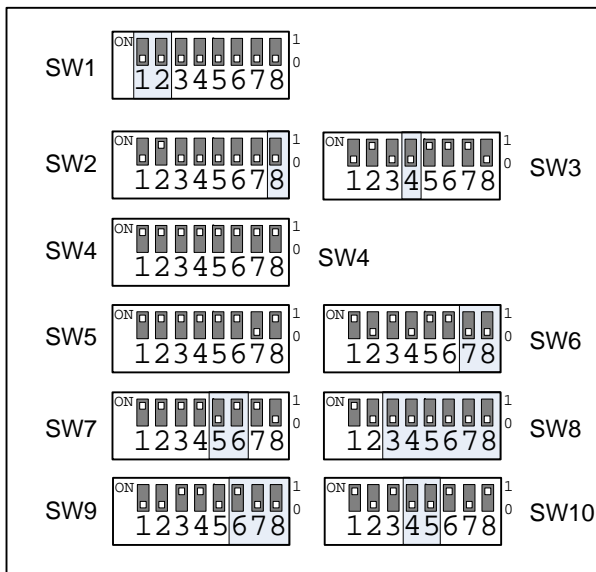
66 SYSCLK / 533 CCB (Platform) / 1333 Both Cores, 667 DDR



66 SYSCLK / 533 CCB (Platform) / 800 Both Cores  
533 DDR Synchronous Mode



100 SYSCLK / 600 CCB (Platform) / 1.5G Both Cores, 800 DDR



66 SYSCLK / 533 CCB (Platform) / 533 Core 0 & 800 Core 1, 933 DDR

