

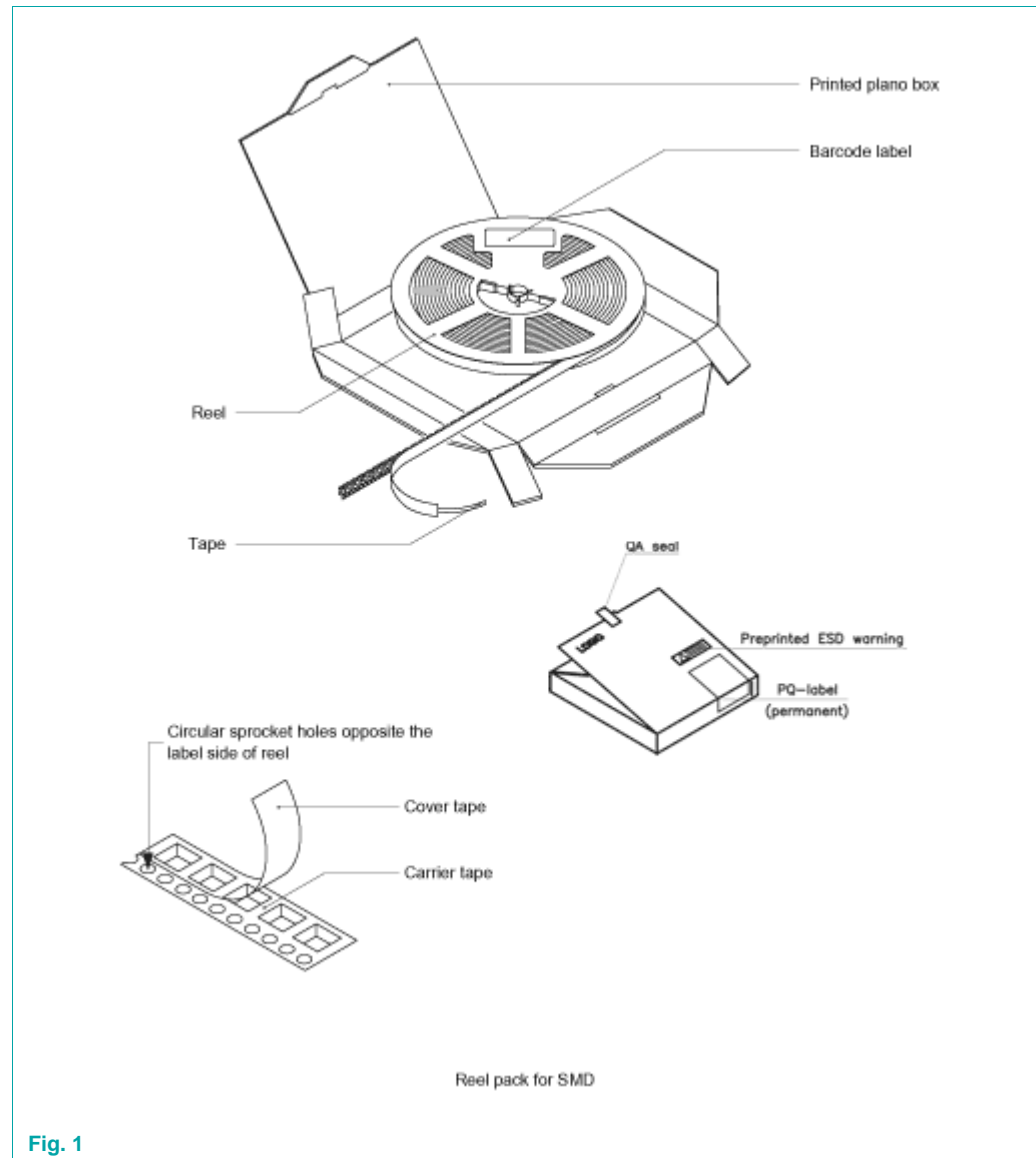
SOT972-2

Standard product orientation 12NC ending 115

Rev. 01 — 28 July 2011

Packing information

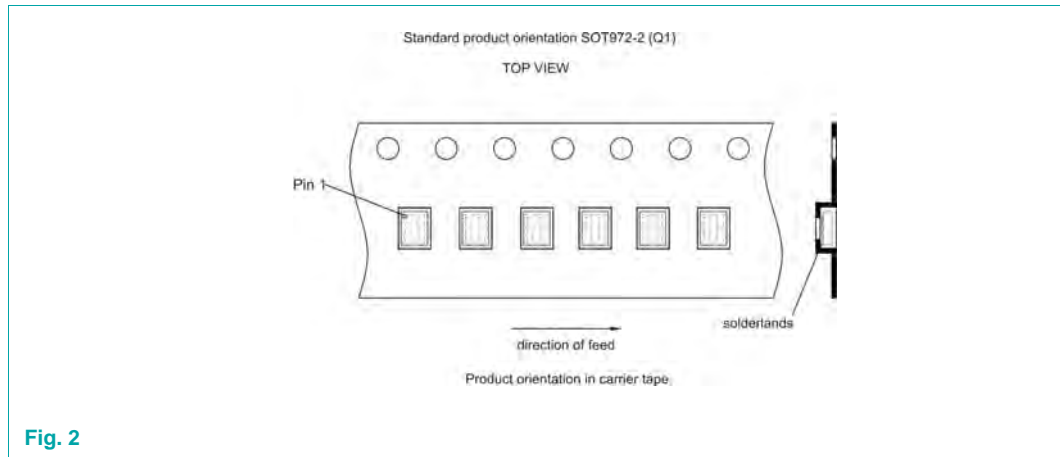
1. Packing method



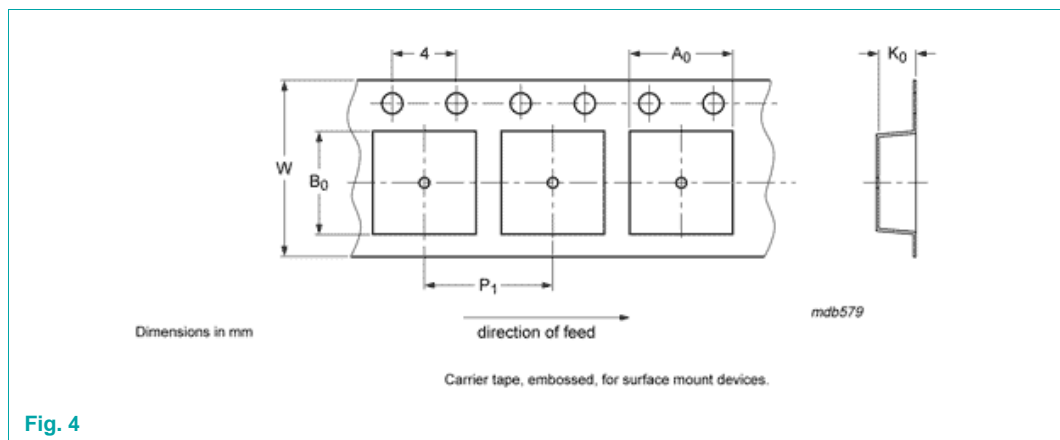
Package version	12NC ending	Reel dimensions d x w (mm)	SPQ/PQ (pcs)	Reels per box	Outer box dimensions l x w x h (mm)
SOT972-2	115	180 x 8	4000	1	185 x 185 x 14



2. Product orientation

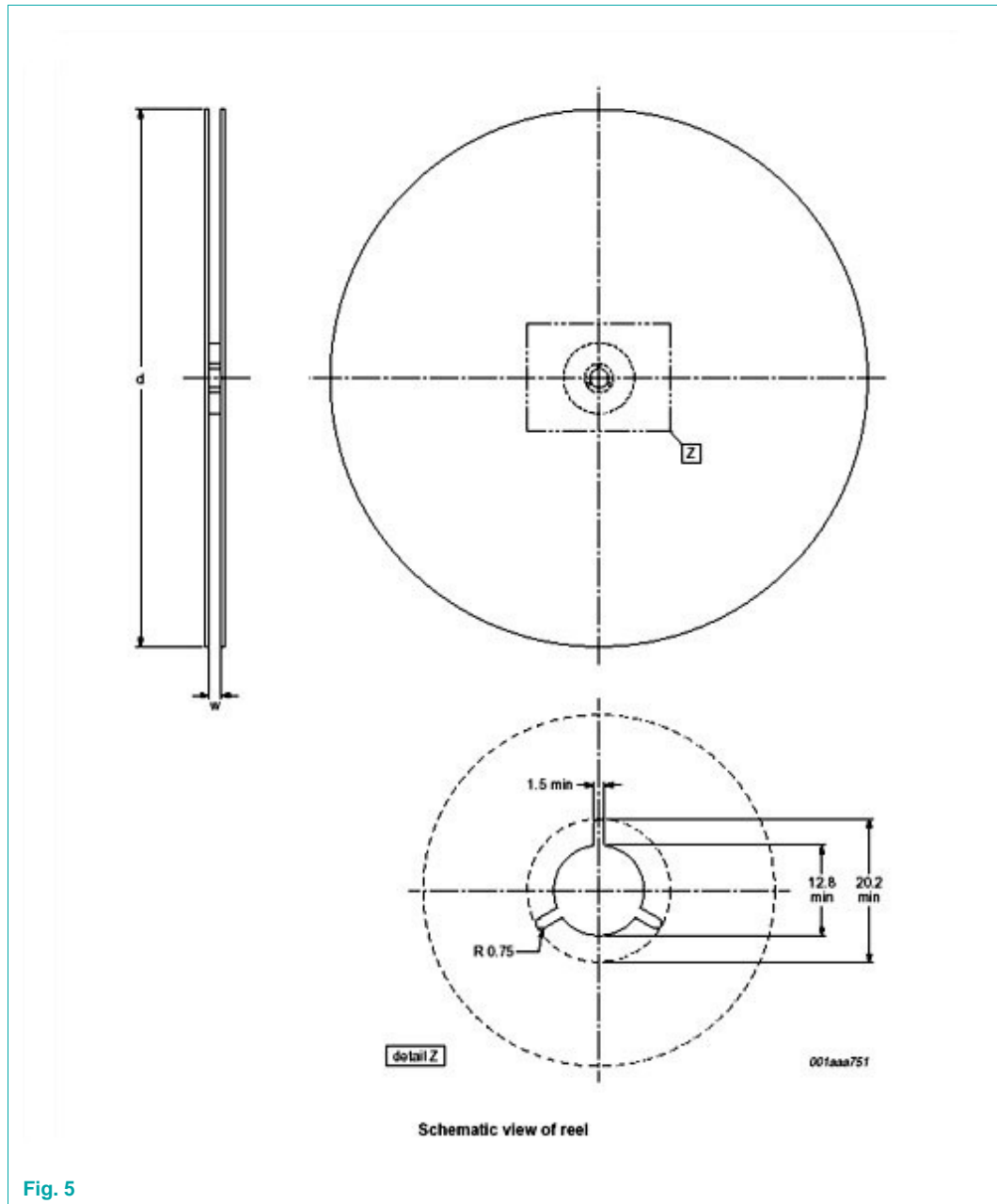


3. Carrier tape dimensions



12NC ending	A ₀ (mm)	B ₀ (mm)	K ₀ (mm)	T (mm)	P ₁ (mm)	W (mm)
115	1.60	1.95	0.60	-	4.0	8

4. Reel dimensions



Package version	12NC ending	Reel dimensions d x w (mm)	SPQ/PQ (pcs)
SOT972-2	115	180 x 8	4000

5. Barcode label tape and box information

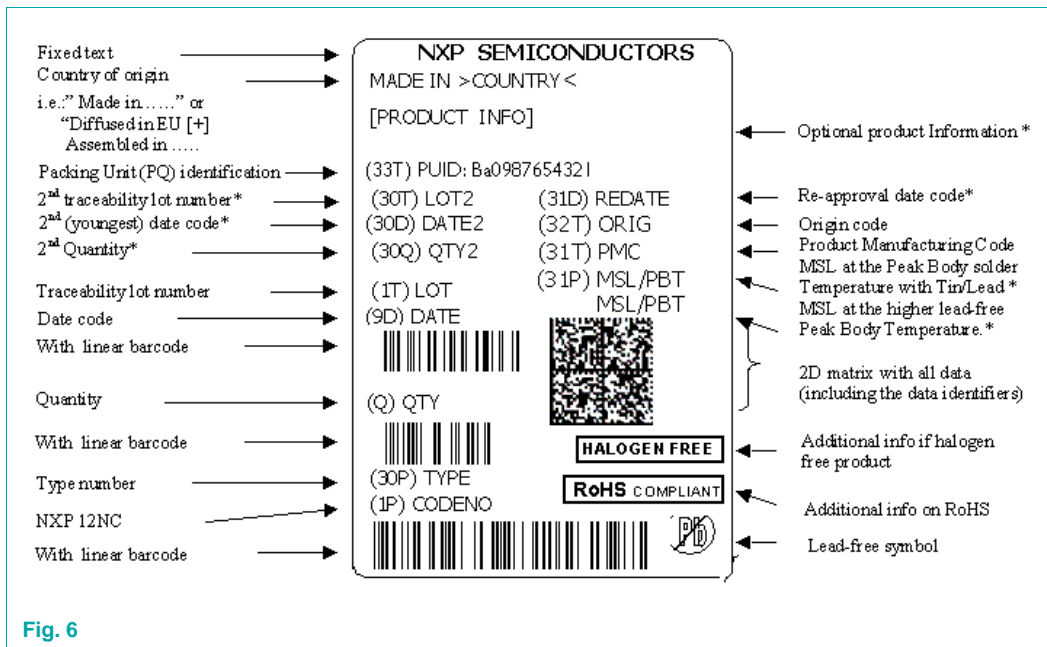


Fig. 6

Label dimensions

l x w (mm)

100 x 75