

# SOT54

Reel pack radial; standard product orientation 12NC ending 116

Rev. 1 — 30 November 2012

Packing information

## 1. Packing method

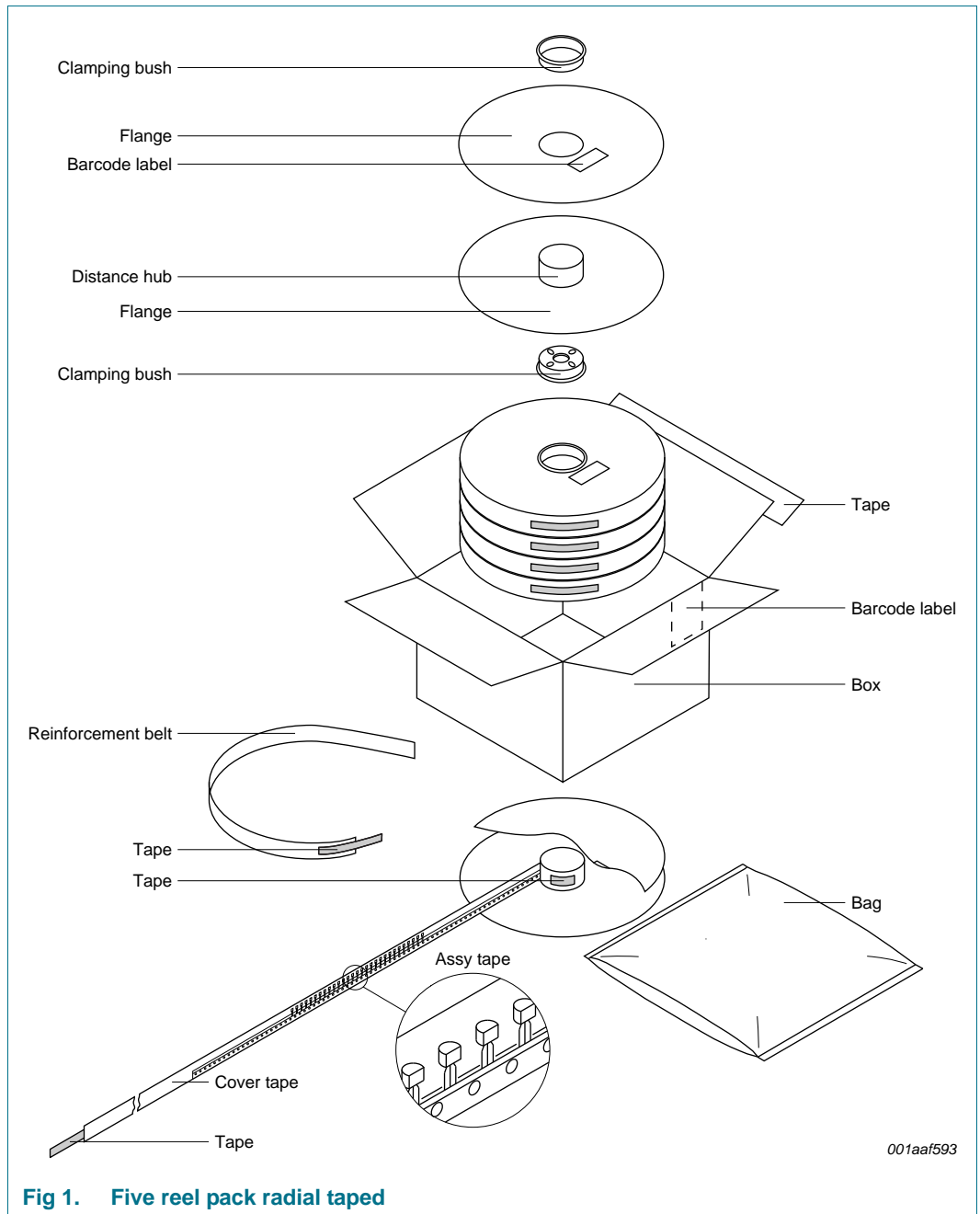


Fig 1. Five reel pack radial taping

Table 1. Packing information

Package version	12NC ending	Taping width (mm)	Taping method	SPQ (pcs)	PQ (pcs)	Outer box dimensions l x w x h (mm)
SOT54	116	18	radial	2000	10000	395 x 395 x 290

## 2. Product orientation

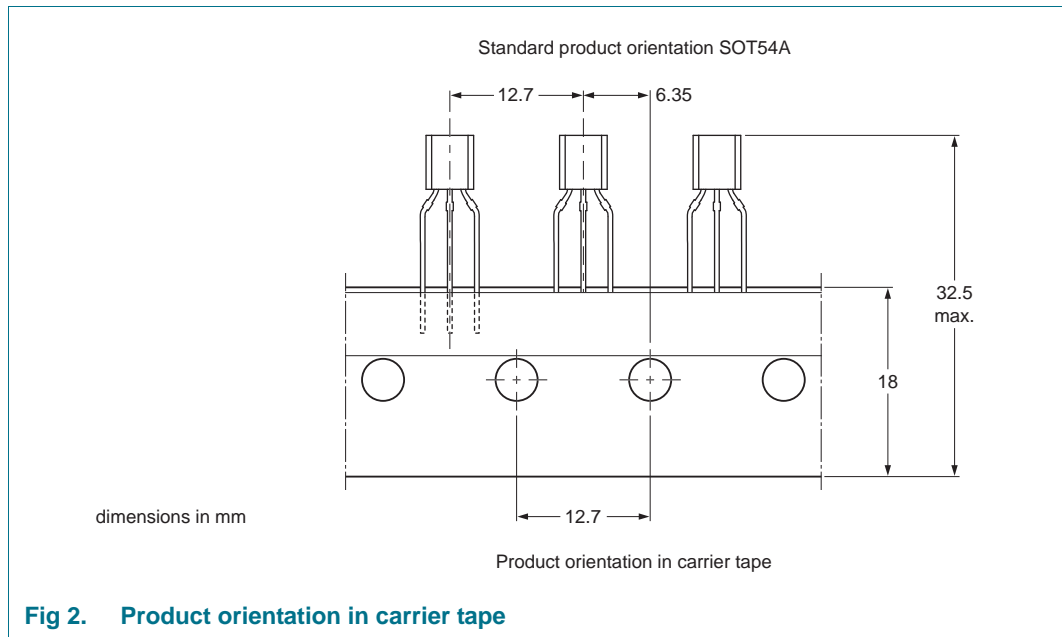


Fig 2. Product orientation in carrier tape

**Limited warranty and liability**

Information in this document is believed to be accurate and reliable. However, NXP Semiconductors does not give any representations or warranties, expressed or implied, as to the accuracy or completeness of such information and shall have no liability for the consequences of use of such information.

**© NXP B.V. 2012.**

For more information, please visit: <http://www.nxp.com>  
 For sales office addresses, please send an email to: [salesaddresses@nxp.com](mailto:salesaddresses@nxp.com)

**All rights reserved.**

Date of release: 30 November 2012  
 Document identifier: SOT54\_116