

# SOT477B

Tape reel SMD; standard product orientation 12NC ending 115

Rev. 1 — 8 May 2013

Packing information

## 1. Packing method

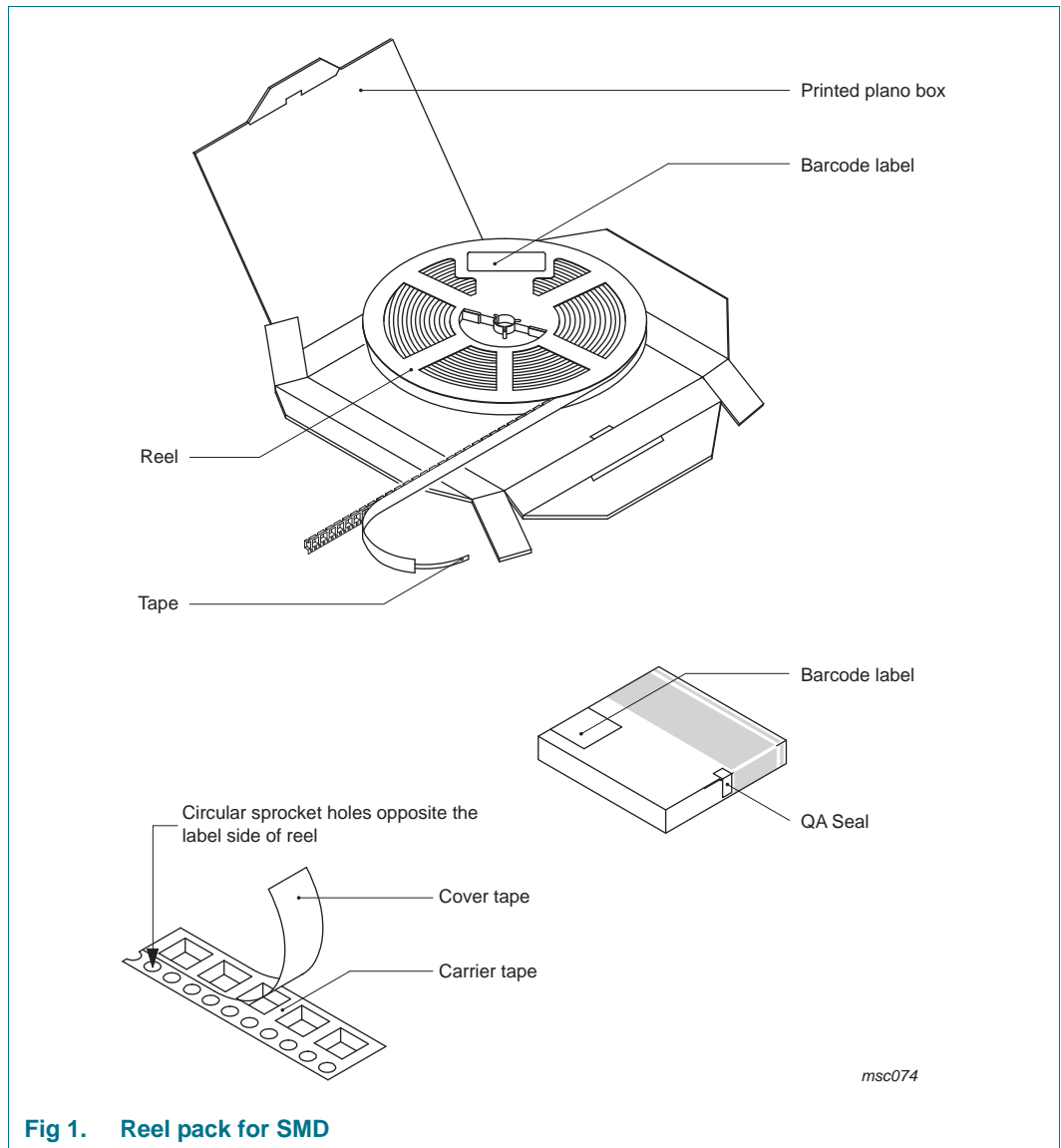
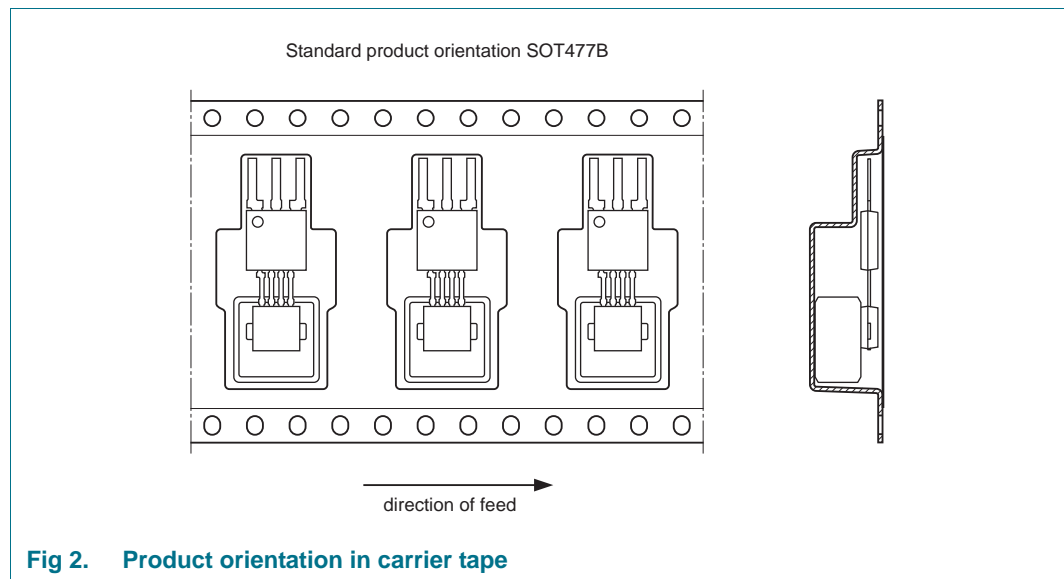


Table 1. Packing information

Package version	12NC ending	Reel dimensions d x w (mm) [1]	SPQ/PQ (pcs)	Reels per box	Outer box dimensions l x w x h (mm)
SOT477B	115	330 x 32	600	1	341 x 338 x 49

[1] d = reel diameter; w = tape width.

## 2. Product orientation



### 3. Carrier tape dimensions

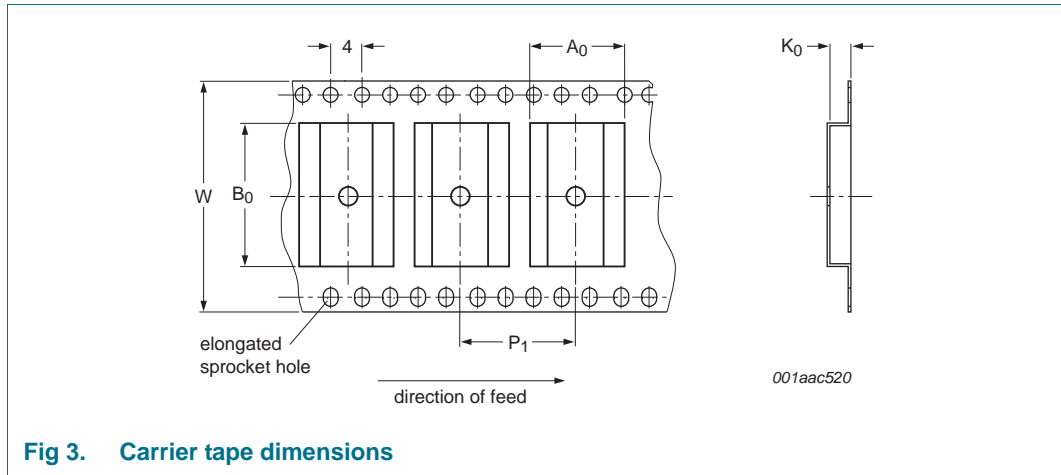


Fig 3. Carrier tape dimensions

Table 2. Carrier tape dimensions  
In accordance with IEC 60286-3.

$A_0$ (mm)	$B_0$ (mm)	$K_0$ (mm)	$P_1$ (mm)	$W$ (mm)
10.0	21.7	6.3	16	32

**Limited warranty and liability**

Information in this document is believed to be accurate and reliable. However, NXP Semiconductors does not give any representations or warranties, expressed or implied, as to the accuracy or completeness of such information and shall have no liability for the consequences of use of such information.

© NXP B.V. 2013.

For more information, please visit: <http://www.nxp.com>  
For sales office addresses, please send an email to: [salesaddresses@nxp.com](mailto:salesaddresses@nxp.com)

All rights reserved.

Date of release: 8 May 2013  
Document identifier: SOT477B\_115