

SOT416

Tape reel SMD; standard product orientation 12NC ending 115

Rev. 1 — 22 November 2012

Packing information

1. Packing method

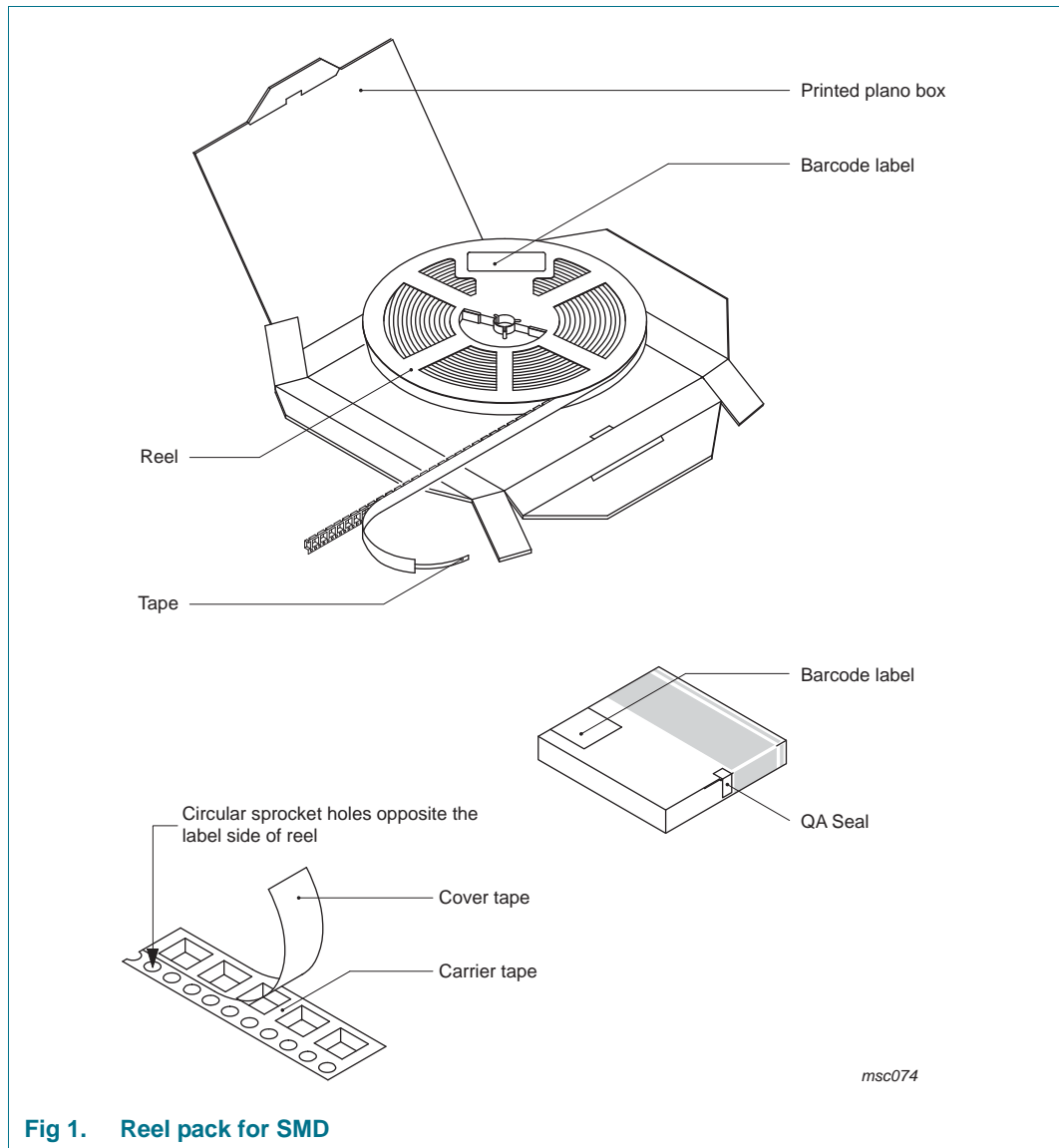
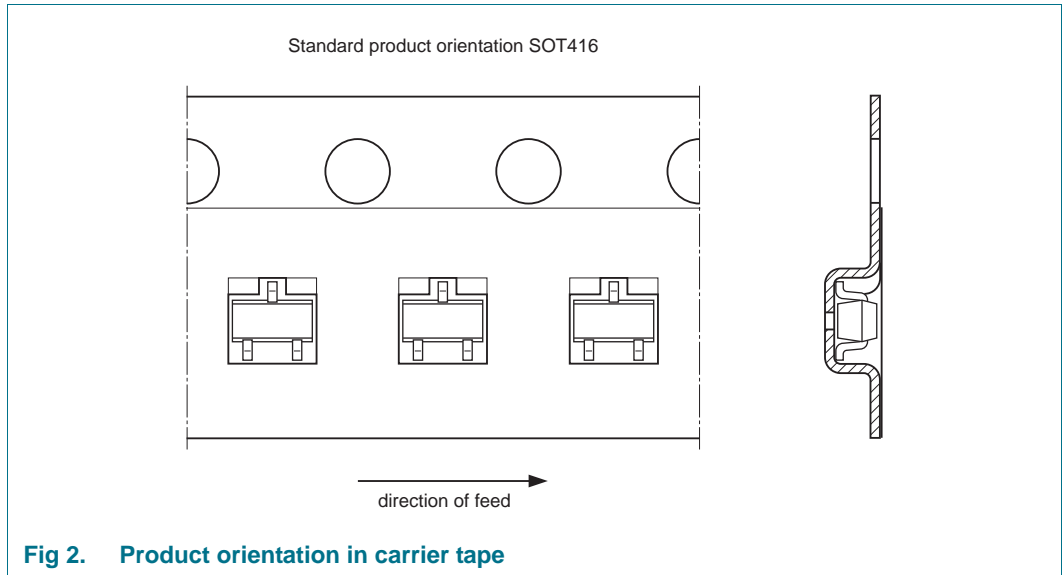


Table 1. Packing information

| Package version | 12NC ending | Reel dimensions d x w (mm) ^[1] | SPQ/PQ (pcs) | Reels per box | Outer box dimensions l x w x h (mm) |
|-----------------|-------------|---|--------------|---------------|-------------------------------------|
| SOT416 | 115 | 180 x 8 | 3000 | 1 | 186 x 186 x 16 |

[1] d = reel diameter; w = tape width.

2. Product orientation



3. Carrier tape dimensions

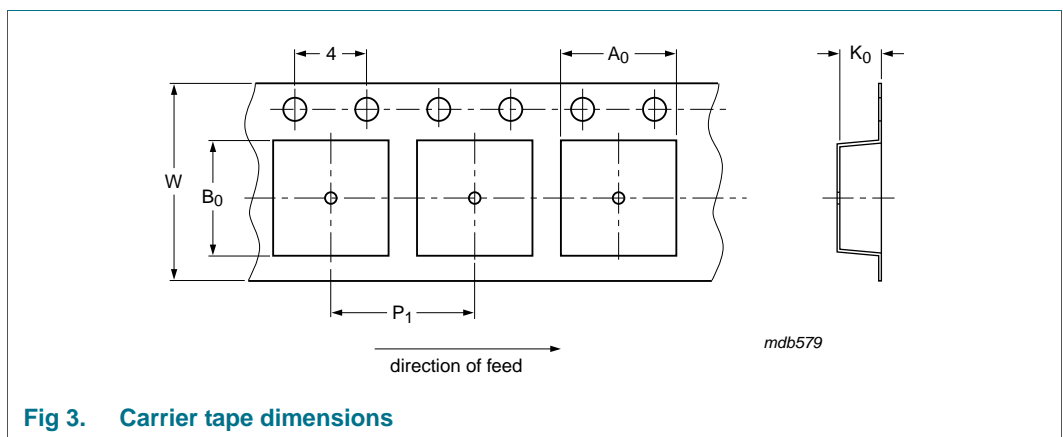


Table 2. Carrier tape dimensions

In accordance with IEC 60286-3.

| A ₀ (mm) | B ₀ (mm) | K ₀ (mm) | T (mm) | P ₁ (mm) | W (mm) |
|---------------------|---------------------|---------------------|--------|---------------------|--------|
| 1.7 | 1.85 | 1.0 | - | 4.0 | 8 |

Limited warranty and liability

Information in this document is believed to be accurate and reliable. However, NXP Semiconductors does not give any representations or warranties, expressed or implied, as to the accuracy or completeness of such information and shall have no liability for the consequences of use of such information.

© NXP B.V. 2012.

For more information, please visit: <http://www.nxp.com>
 For sales office addresses, please send an email to: salesaddresses@nxp.com

All rights reserved.

Date of release: 22 November 2012
Document identifier: SOT416_115