

SOT370-1

Standard product orientation 12NC ending 118

Rev. 02 — 28 July 2011

Packing information

1. Packing method

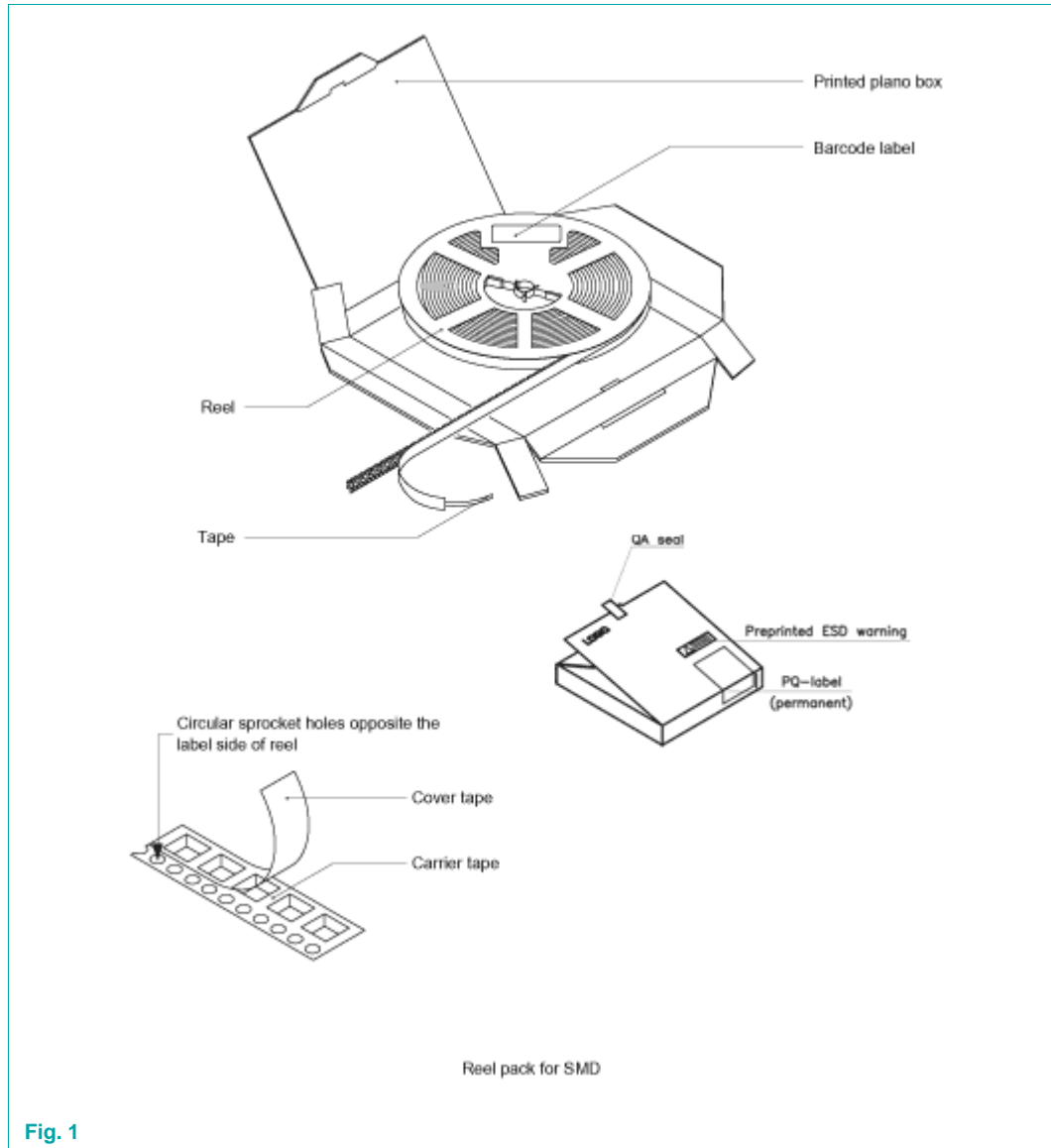
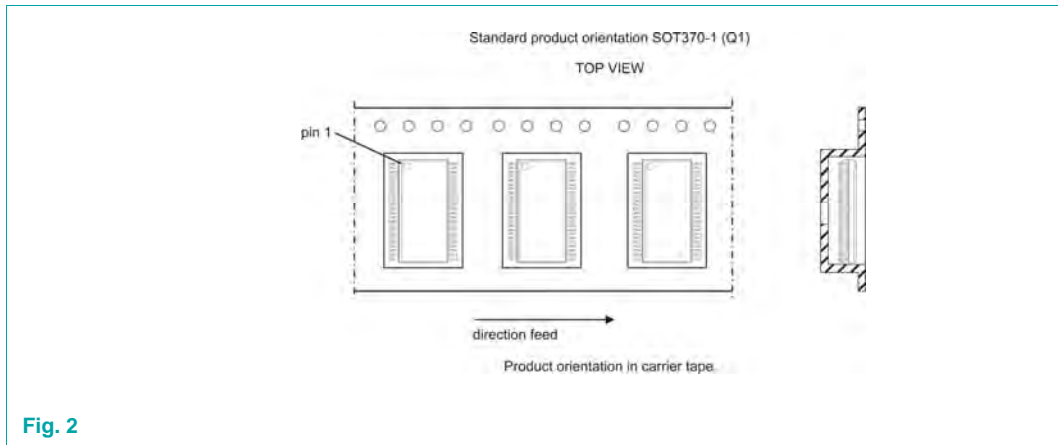


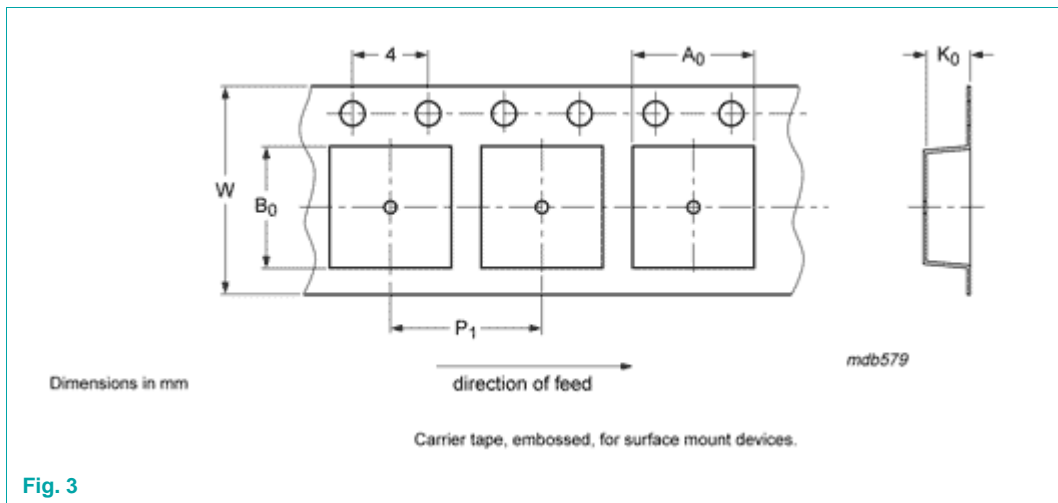
Fig. 1

Package version	12NC ending	Reel dimensions d x w (mm)	SPQ/PQ (pcs)	Reels per box	Outer box dimensions l x w x h (mm)
SOT370-1	118	330 x 24	1000	1	341 x 338 x 39

2. Product orientation



3. Carrier tape dimensions



A ₀ (mm)	B ₀ (mm)	K ₀ (mm)	T (mm)	P ₁ (mm)	W (mm)
11.00	16.30	3.3	-	16.0	24

4. Carrier tape dimensions

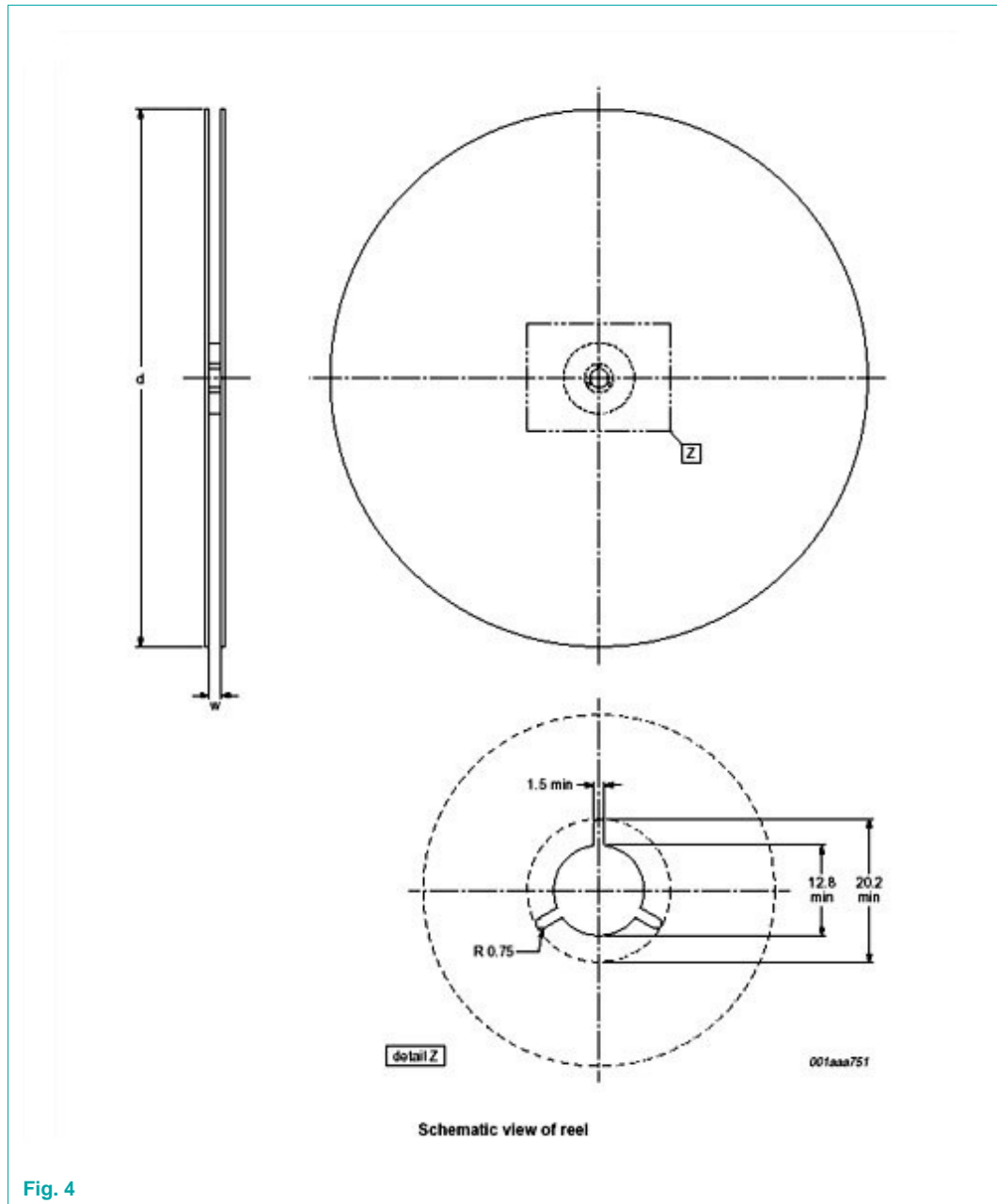


Fig. 4

Package version	12NC ending	Reel dimensions d x w (mm)	SPQ/PQ (pcs)
SOT370-1	118	330 x 24	1000

5. Barcode label box and reel information

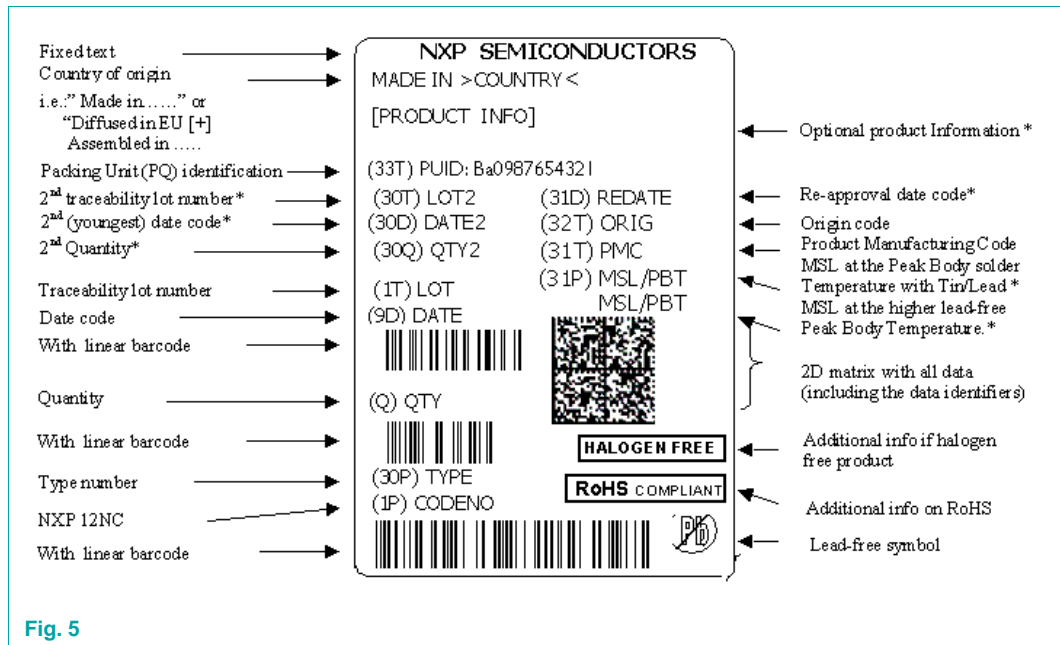


Fig. 5

Label dimensions
l x w (mm)
 100 x 75