



# SOT1359-1

HVLGA36; Reel dry pack, SMD, 13"  
 Q1/T1 standard product orientation  
 Orderable part number ending ,518 or Y  
 Ordering code (12NC) ending 518

Rev. 1 — 12 June 2015

Packing information

## 1. Packing method

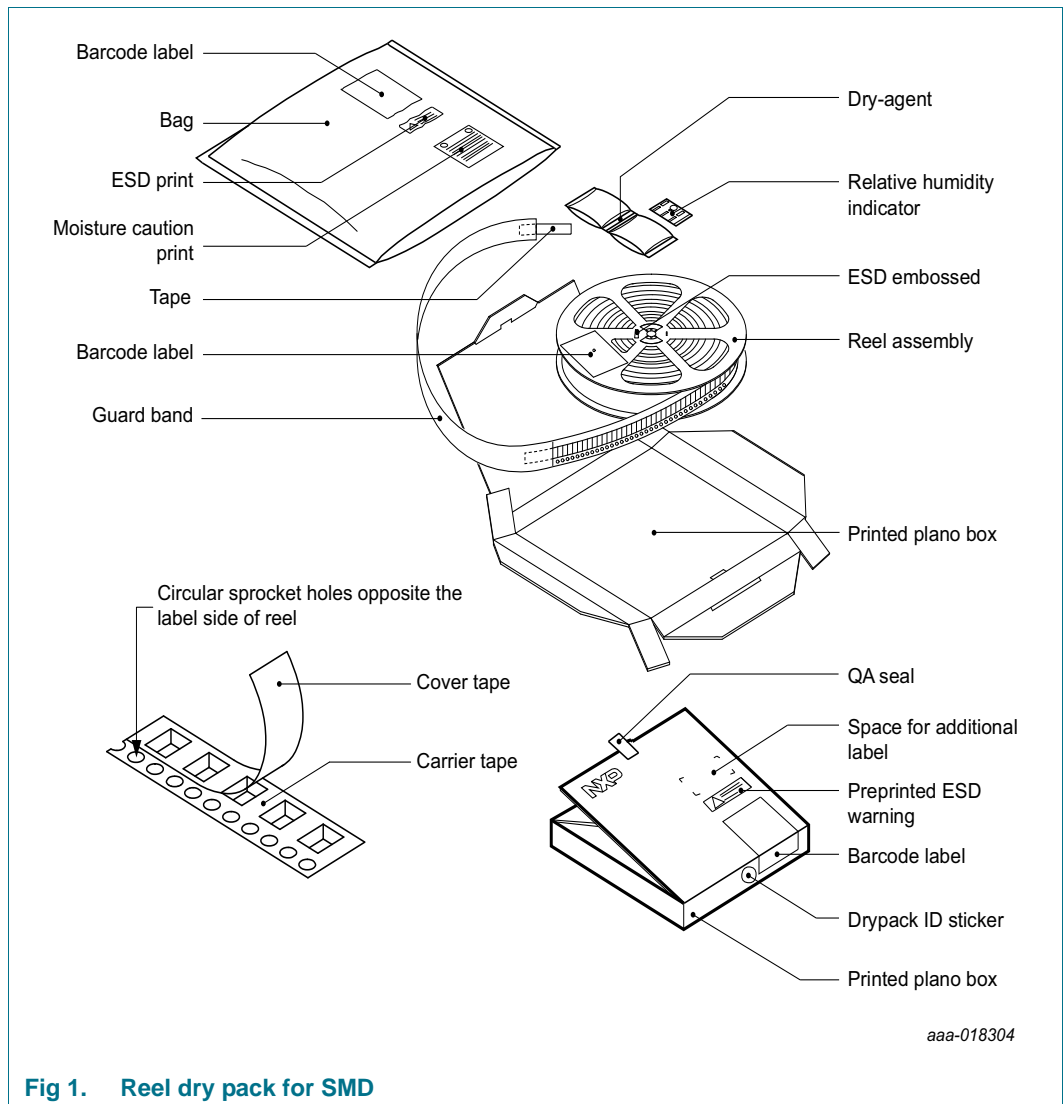


Fig 1. Reel dry pack for SMD



HVLGA36; Reel dry pack, SMD, 13"  
 Q1/T1 standard product orientation  
 Orderable part number ending ,518 or Y  
 Ordering code (12NC) ending 518

Table 1. Dimensions and quantities

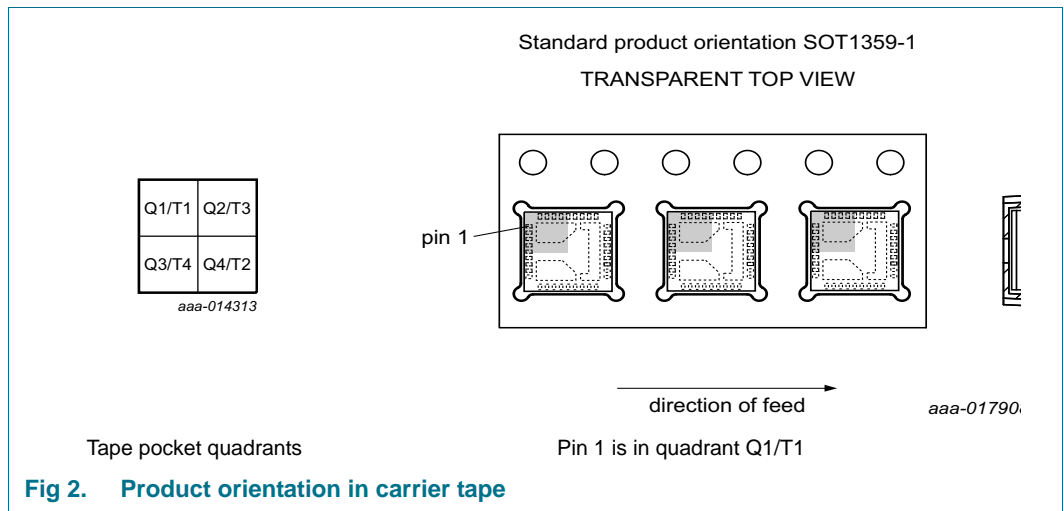
Reel dimensions d × w (mm) [1]	SPQ/PQ (pcs) [2]	Reels per box	Outer box dimensions l × w × h (mm)
330 × 12	6000	1	342 × 338 × 39

[1] d = reel diameter; w = tape width.

[2] Packing quantity dependent on specific product type.

View ordering and availability details at [NXP order portal](#), or contact your local NXP representative.

## 2. Product orientation



## 3. Carrier tape dimensions

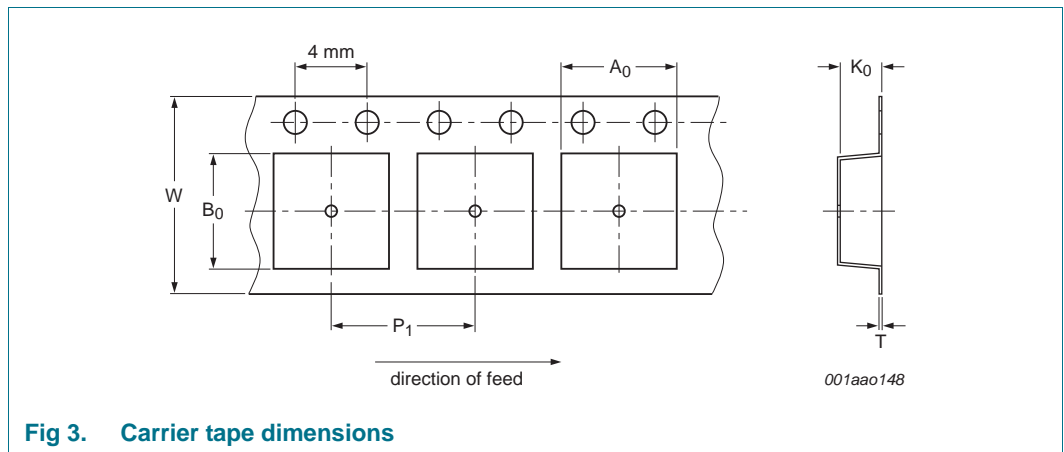
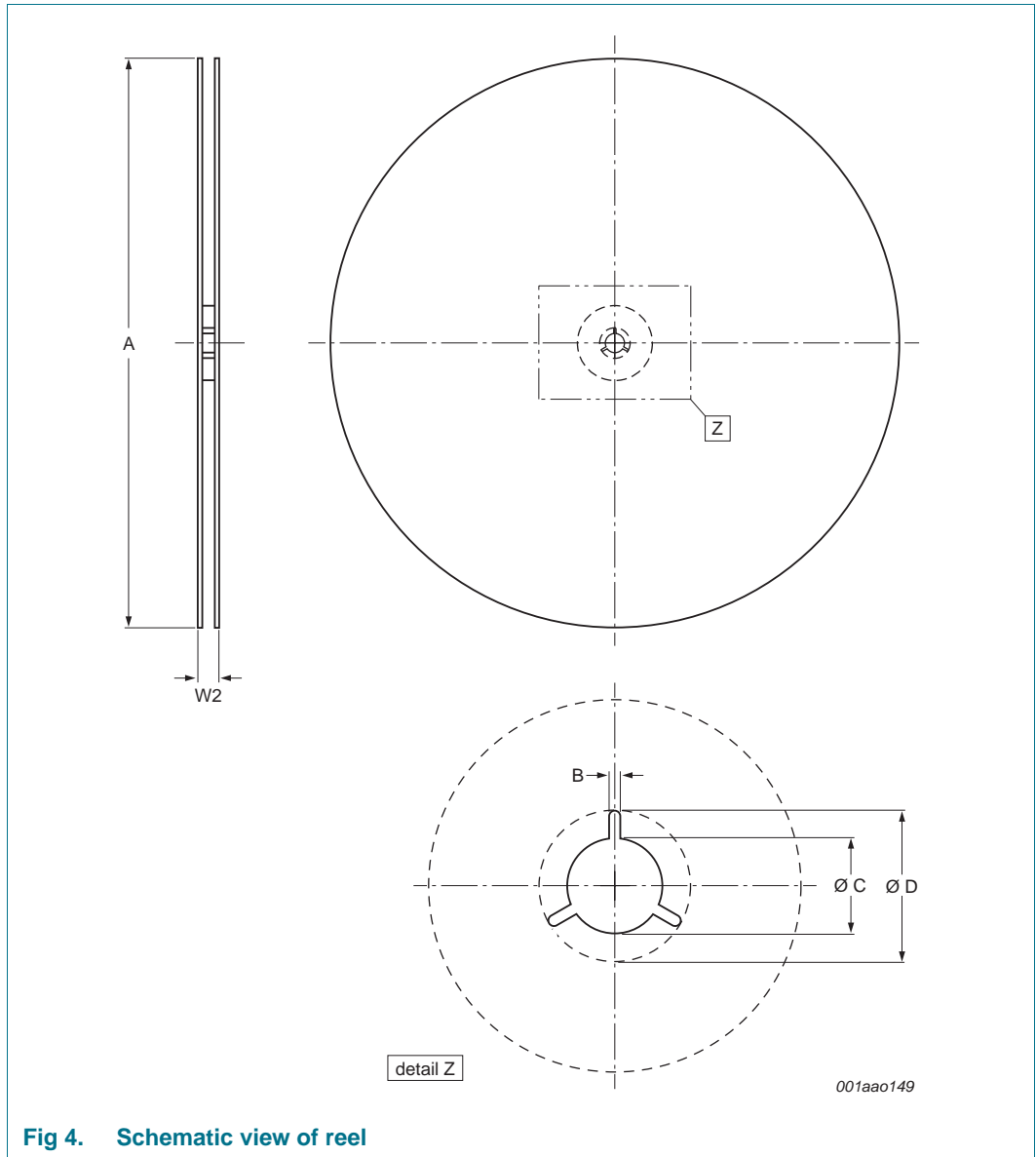


Table 2. Carrier tape dimensions

In accordance with IEC 60286-3.

A <sub>0</sub> (mm)	B <sub>0</sub> (mm)	K <sub>0</sub> (mm)	T (mm)	P <sub>1</sub> (mm)	W (mm)
5.30 ± 0.10	5.30 ± 0.10	1.10 ± 0.10	0.3 ± 0.05	8.0 ± 0.10	12 ± 0.30

**4. Reel dimensions**



**Fig 4. Schematic view of reel**

**Table 3. Reel dimensions**  
 In accordance with IEC 60286-3.

<b>A [nom] (mm)</b>	<b>W2 [max] (mm)</b>	<b>B [min] (mm)</b>	<b>C [min] (mm)</b>	<b>D [min] (mm)</b>
330	18.4	1.5	12.8	20.2

HVLGA36; Reel dry pack, SMD, 13"  
 Q1/T1 standard product orientation  
 Orderable part number ending ,518 or Y  
 Ordering code (12NC) ending 518

5. Barcode label

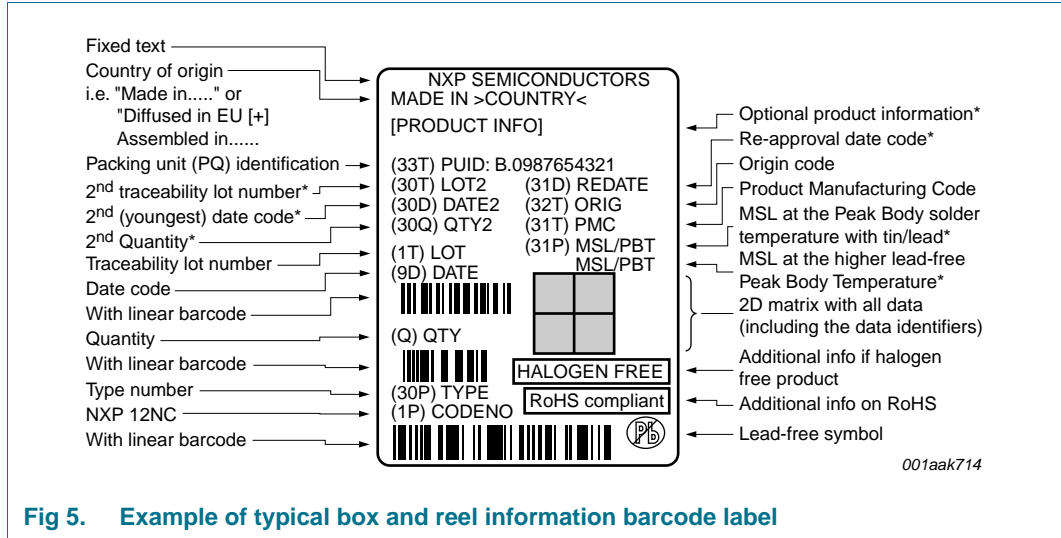


Fig 5. Example of typical box and reel information barcode label

Table 4. Barcode label dimensions

Box barcode label l × w (mm)	Reel barcode label l × w (mm)
100 × 75	100 × 75

HVLGA36; Reel dry pack, SMD, 13"  
Q1/T1 standard product orientation  
Orderable part number ending ,518 or Y  
Ordering code (12NC) ending 518

## 6. Revision history

Table 5. Revision history

Document ID	Release date	Packing document status	Change notice	Supersedes
SOT1359-1_518	20150612	Packing information	-	-

### Limited warranty and liability

Information in this document is believed to be accurate and reliable. However, NXP Semiconductors does not give any representations or warranties, expressed or implied, as to the accuracy or completeness of such information and shall have no liability for the consequences of use of such information.

© NXP Semiconductors N.V. 2015.

All rights reserved.

For more information, please visit: <http://www.nxp.com>

For sales office addresses, please send an email to: [salesaddresses@nxp.com](mailto:salesaddresses@nxp.com)

Date of release: 12 June 2015

Document identifier: SOT1359-1\_518