

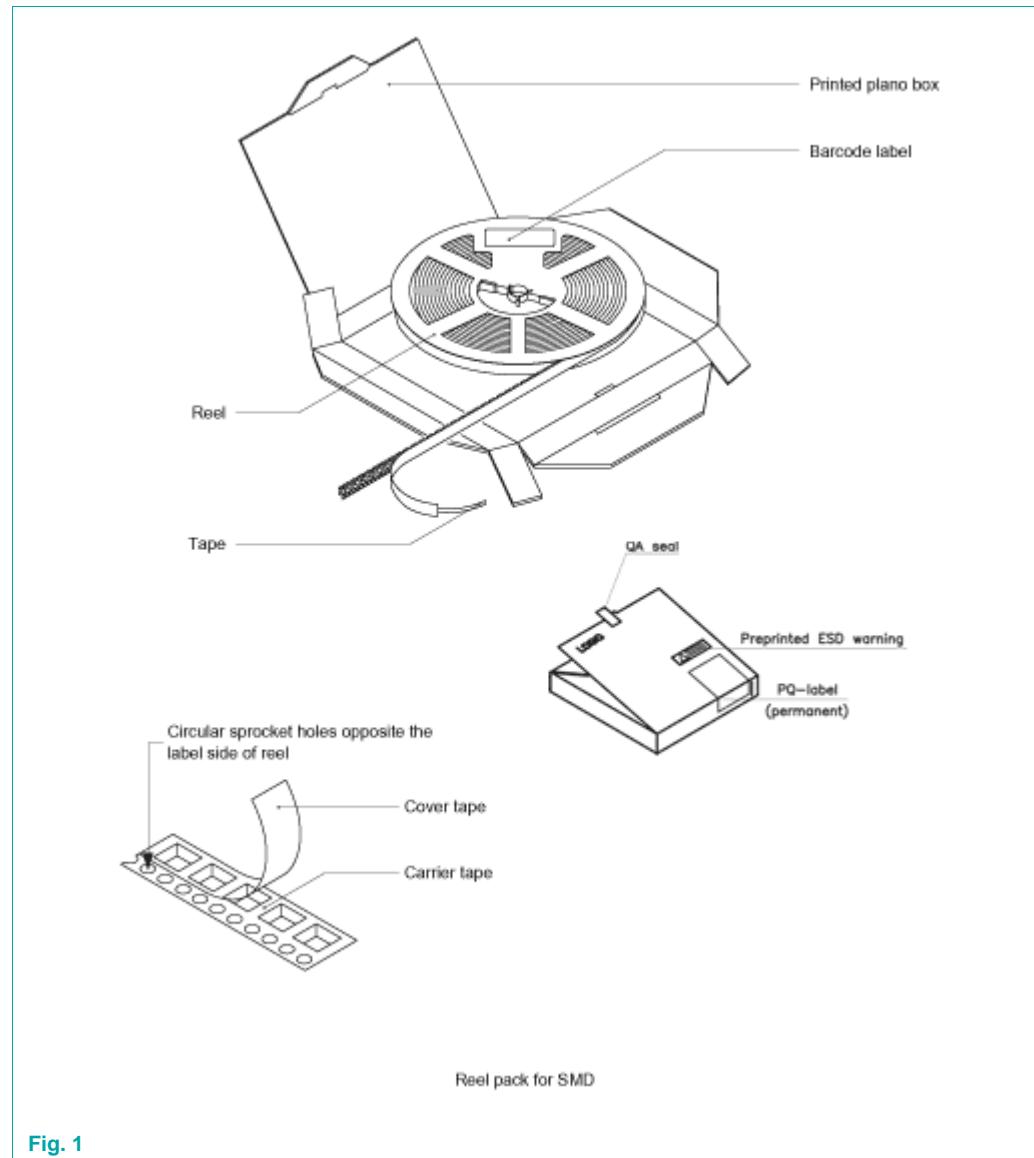
SOT1180-1

Standard product orientation 12NC ending 118

Rev. 01 — 27 July 2011

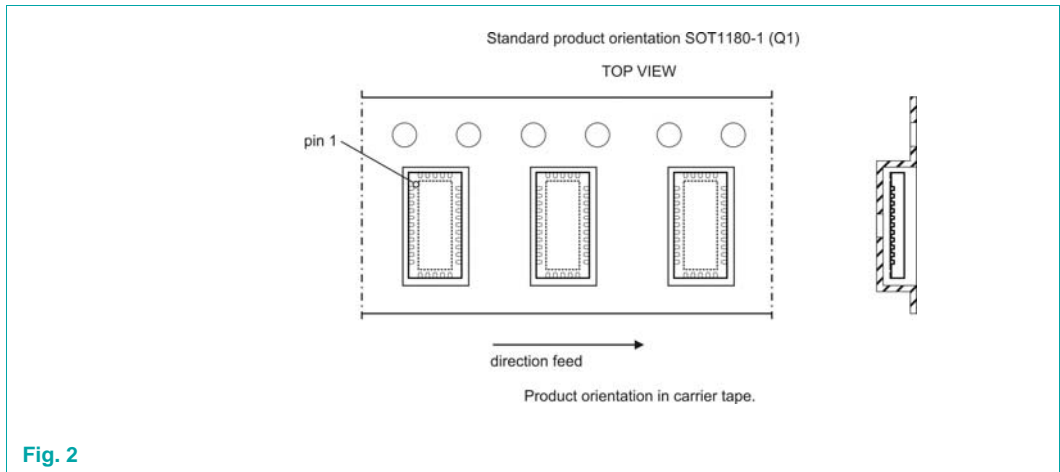
Packing information

1. Packing method

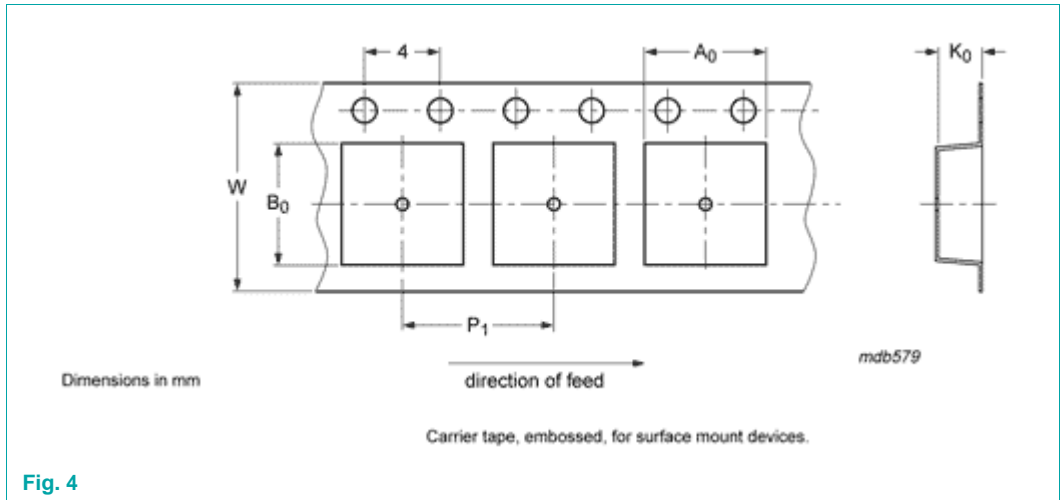


Package version	12NC ending	Reel dimensions d x w (mm)	SPQ/PQ (pcs)	Reels per box	Outer box dimensions l x w x h (mm)
SOT1180-1	118	330 x 16	5000	1	339 x 1335 x 25

2. Product orientation



3. Carrier tape dimensions



12NC ending	A ₀ (mm)	B ₀ (mm)	K ₀ (mm)	T (mm)	P ₁ (mm)	W (mm)
118	3.30	6.30	1.00	-	8.0	16

4. Reel dimensions

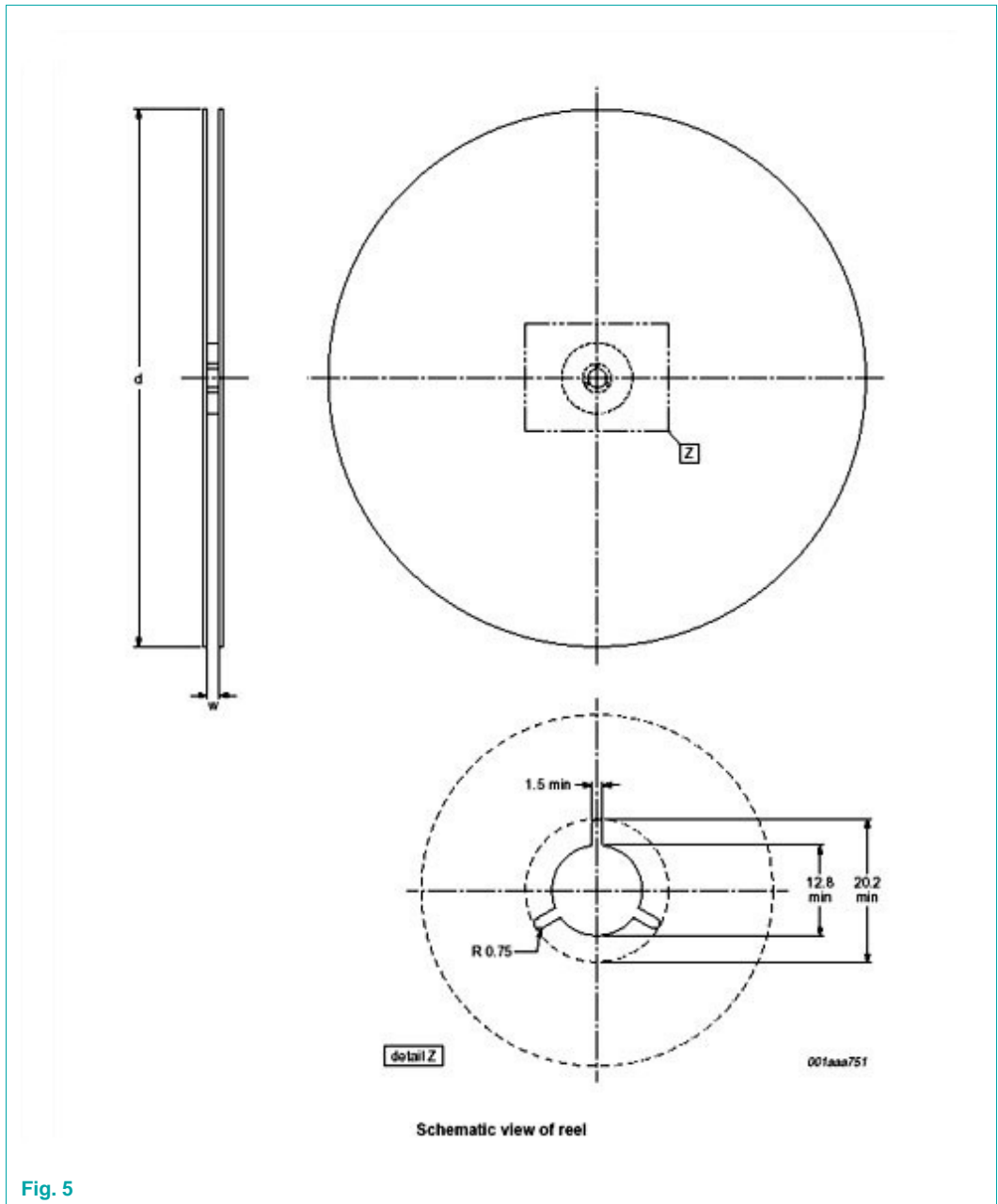


Fig. 5

Package version	12NC ending	Reel dimensions d x w (mm)	SPQ/PQ (pcs)
SOT1180-1	118	330 x 16	5000

5. Barcode label tape and box information

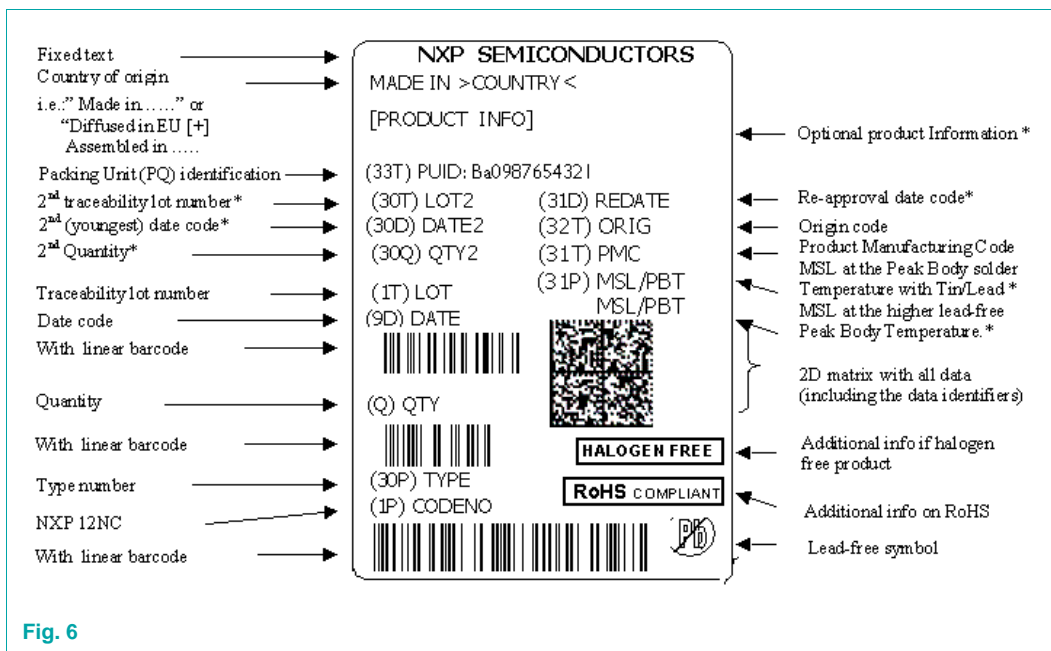


Fig. 6

Label dimensions

l x w (mm)

100 x 75