



SOT389-2

plastic, low profile quad; flat leaded package; 44 terminals;
0.80 mm pitch; 10 mm x 10 mm x 1.4 mm body

15 December 2016

Package information

1. Package summary

Terminal position code	Q (quad)
Package type descriptive code	LQFP
Package type industry code	LQFP44
Package style descriptive code	LQFP (low profile quad flat package)
Package body material type	P (plastic)
JEDEC package outline code	MS-026-BCB
Mounting method type	S (surface mount)
Issue date	26-5-2016
Manufacturer package code	98ASS23225W

Table 1. Package summary

Symbol	Parameter	Min	Typ	Nom	Max	Unit
D	package length	-	-	10	-	mm
E	package width	-	-	10	-	mm
A	seated height	-	-	1.4	1.6	mm
e	nominal pitch	-	-	0.8	-	mm
n ₂	actual quantity of termination	-	-	44	-	



plastic, low profile quad; flat leaved package; 44 terminals; 0.80 mm pitch; 10 mm x 10 mm x 1.4 mm body

2. Package outline

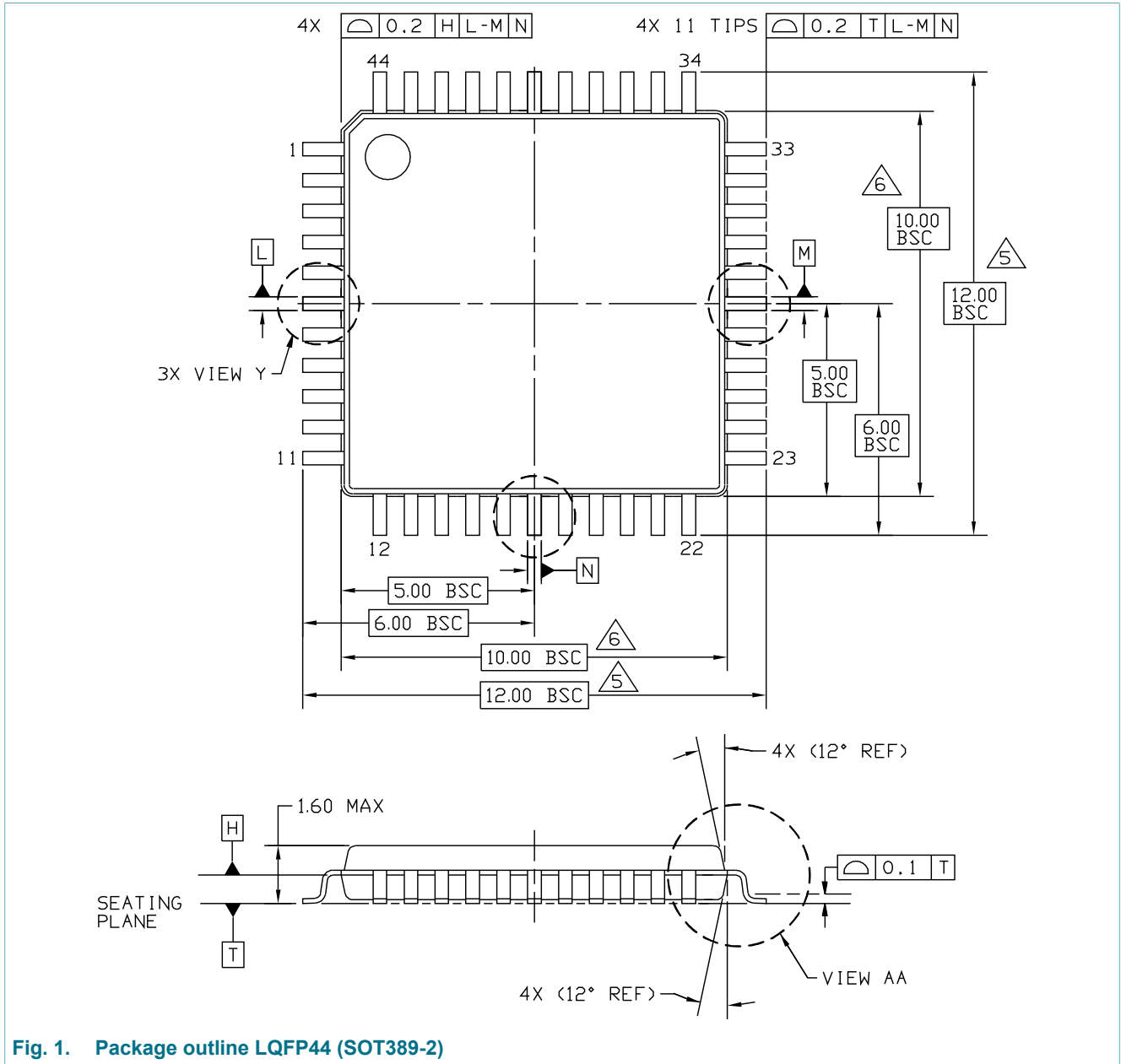


Fig. 1. Package outline LQFP44 (SOT389-2)

plastic, low profile quad; flat leaved package; 44 terminals; 0.80 mm pitch; 10 mm x 10 mm x 1.4 mm body

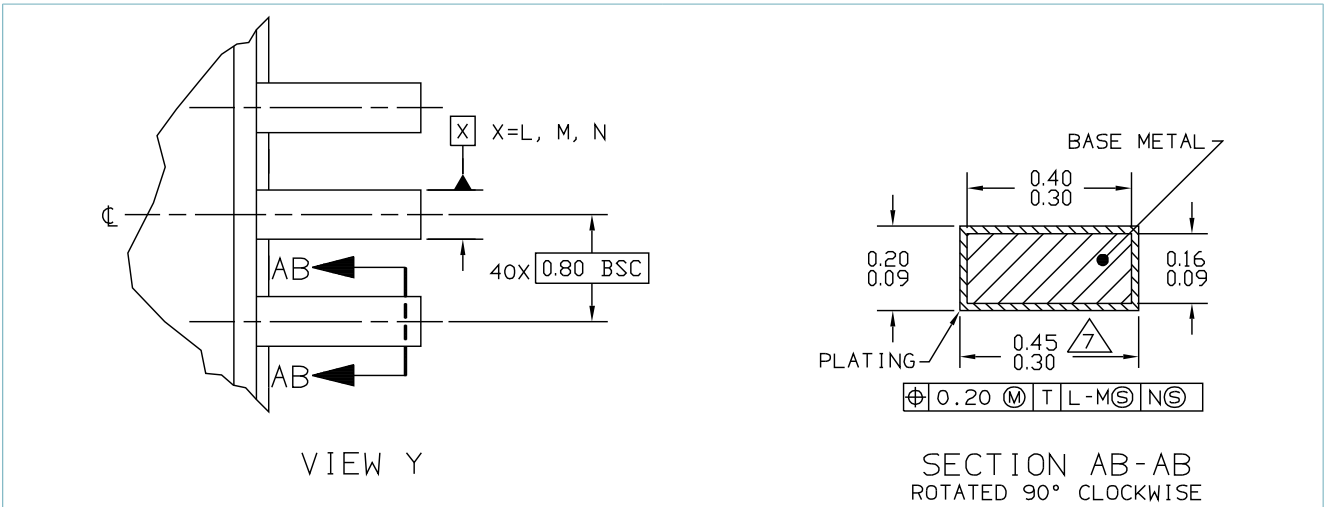


Fig. 2. Package outline dt1 LQFP44 (SOT389-2)

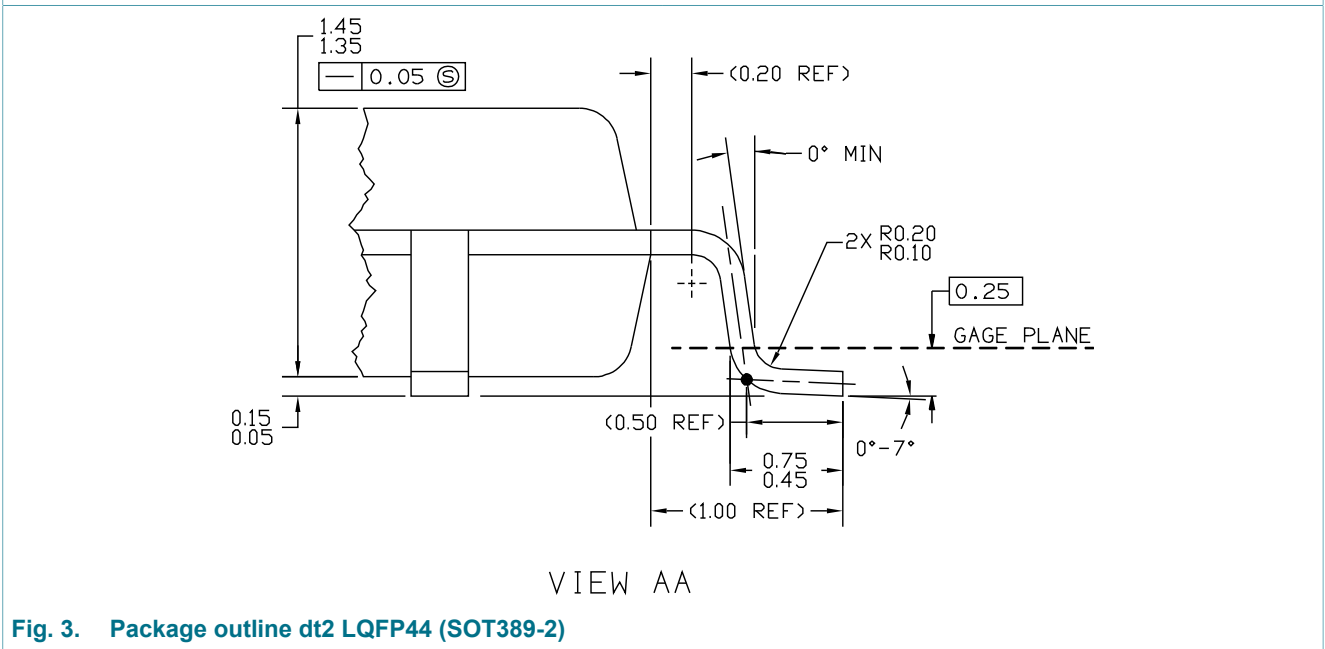


Fig. 3. Package outline dt2 LQFP44 (SOT389-2)

plastic, low profile quad; flat leaded package; 44 terminals; 0.80 mm pitch; 10 mm x 10 mm x 1.4 mm body

NOTES:

1. DIMENSIONS AND TOLERANCING PER ASME Y14.5M-1994.
2. CONTROLLING DIMENSION: MILLIMETER
3. DATUM PLANE H IS LOCATED AT BOTTOM OF LEAD AND IS COINCIDENT WITH THE LEAD WHERE THE LEAD EXITS THE PLASTIC BODY AT THE BOTTOM OF THE PARTING LINE.
4. DATUMS L, M AND N TO BE DETERMINED AT DATUM PLANE H.
5. DIMENSIONS TO BE DETERMINED AT SEATING PLANE T.
6. DIMENSIONS DO NOT INCLUDE MOLD PROTRUSION. ALLOWABLE PROTRUSION IS 0.25 PER SIDE. DIMENSIONS DO INCLUDE MOLD MISMATCH AND ARE DETERMINED AT DATUM PLANE H.
7. DIMENSION DOES NOT INCLUDE DAMBAR PROTRUSION. DAMBAR PROTRUSION SHALL NOT CAUSE THE DIMENSION TO EXCEED 0.53. MINIMUM SPACE BETWEEN PROTRUSION AND ADJACENT LEAD OR PROTRUSION 0.07.

Fig. 4. Package outline note LQFP44 (SOT389-2)

plastic, low profile quad; flat leaded package; 44 terminals; 0.80 mm pitch; 10 mm x 10 mm x 1.4 mm body

3. Legal information

Disclaimers

Limited warranty and liability — Information in this document is believed to be accurate and reliable. However, NXP Semiconductors does not give any representations or warranties, expressed or implied, as to the accuracy or completeness of such information and shall have no liability for the consequences of use of such information. NXP Semiconductors takes no responsibility for the content in this document if provided by an information source outside of NXP Semiconductors.

In no event shall NXP Semiconductors be liable for any indirect, incidental, punitive, special or consequential damages (including - without limitation - lost profits, lost savings, business interruption, costs related to the removal or replacement of any products or rework charges) whether or not such damages are based on tort (including negligence), warranty, breach of contract or any other legal theory.

Notwithstanding any damages that customer might incur for any reason whatsoever, NXP Semiconductors' aggregate and cumulative liability towards customer for the products described herein shall be limited in accordance with the *Terms and conditions of commercial sale* of NXP Semiconductors.

Right to make changes — NXP Semiconductors reserves the right to make changes to information published in this document, including without limitation specifications and product descriptions, at any time and without notice. This document supersedes and replaces all information supplied prior to the publication hereof.

plastic, low profile quad; flat leaded package; 44 terminals; 0.80 mm pitch; 10 mm x 10 mm x 1.4 mm body

4. Contents

1. Package summary.....	1
2. Package outline.....	2
3. Legal information.....	5

© NXP Semiconductors N.V. 2016. All rights reserved

For more information, please visit: <http://www.nxp.com>
For sales office addresses, please send an email to: salesaddresses@nxp.com
Date of release: 15 December 2016
