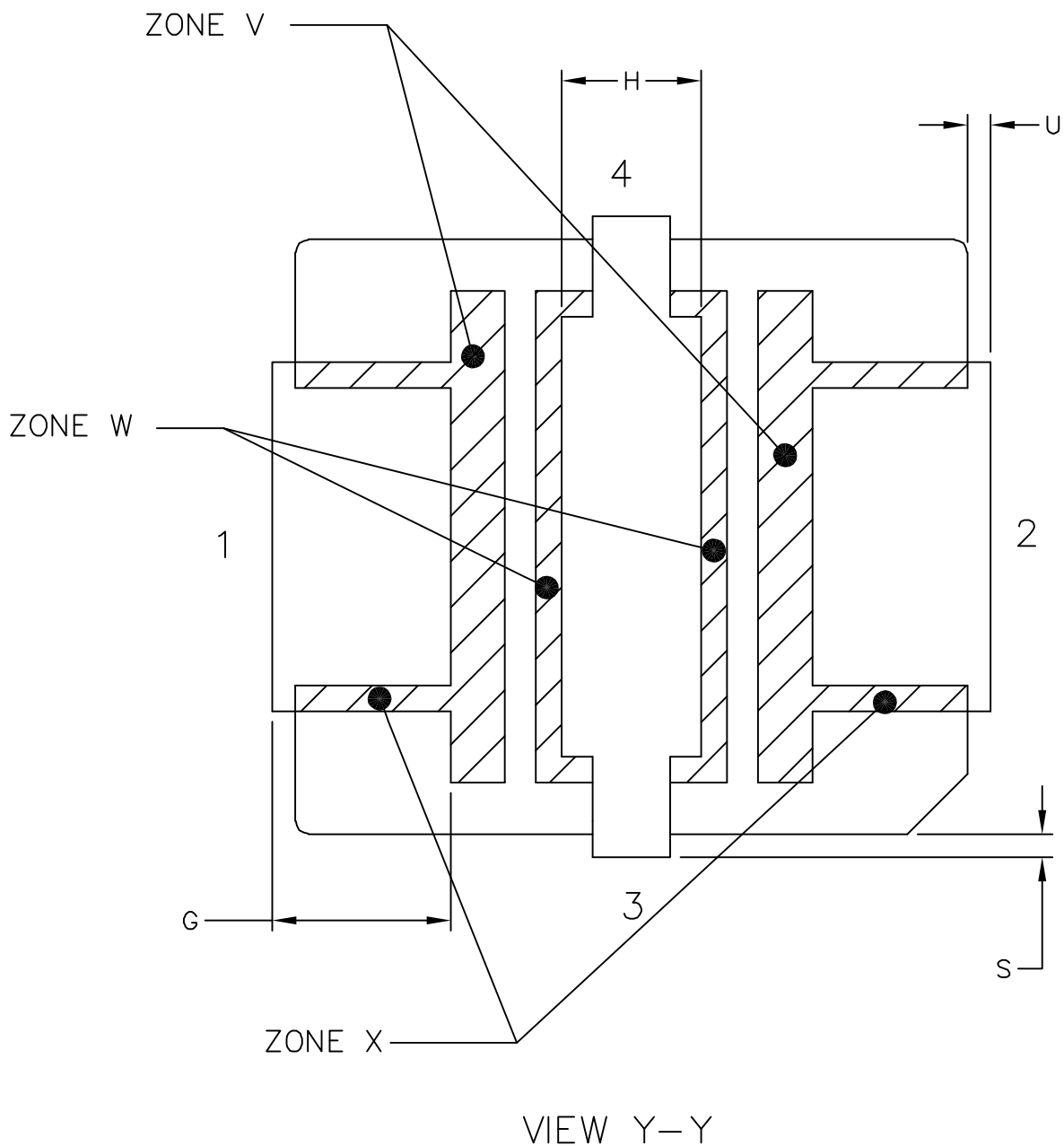


© NXP SEMICONDUCTORS N.V. ALL RIGHTS RESERVED	MECHANICAL OUTLINE	PRINT VERSION NOT TO SCALE
TITLE:  PLD-1.5	DOCUMENT NO: 98ASB15740C	REV: E
	STANDARD: NON-JEDEC	
	SOT1811-1	03 MAR 2016



© NXP SEMICONDUCTORS N.V. ALL RIGHTS RESERVED	<b>MECHANICAL OUTLINE</b>	PRINT VERSION NOT TO SCALE	
TITLE:  PLD-1.5		DOCUMENT NO: 98ASB15740C	REV: E
		STANDARD: NON-JEDEC	
		SOT1811-1	03 MAR 2016



NOTES:

1. CONTROLLING DIMENSION: INCH
2. INTERPRET DIMENSIONS AND TOLERANCES PER ASME Y14.5M-1994.
3. RESIN BLEED/FLASH ALLOWABLE IN ZONES V, W AND X..

STYLE 1:

- PIN 1 - DRAIN
- PIN 2 - GATE
- PIN 3 - SOURCE
- PIN 4 - SOURCE

DIM	INCH		MILLIMETER		DIM	INCH		MILLIMETER	
	MIN	MAX	MIN	MAX		MIN	MAX	MIN	MAX
A	.255	.265	6.48	6.73	Q	.055	.063	1.40	1.60
B	.225	.235	5.72	5.97	R	.200	.210	5.08	5.33
C	.065	.072	1.65	1.83	S	.006	.012	0.15	0.31
D	.130	.150	3.30	3.81	U	.006	.012	0.15	0.31
E	.021	.026	0.53	0.66	ZONE V	.000	.021	0.00	0.53
F	.026	.044	0.66	1.12	ZONE W	.000	.010	0.00	0.25
G	.050	.070	1.27	1.78	ZONE X	.000	.010	0.00	0.25
H	.045	.063	1.14	1.60					
J	.160	.180	4.06	4.57					
K	.273	.285	6.93	7.24					
L	.245	.255	6.22	6.48					
N	.230	.240	5.84	6.10					
P	.000	.008	0.00	0.20					

© NXP SEMICONDUCTORS N.V.  
ALL RIGHTS RESERVED

**MECHANICAL OUTLINE**

PRINT VERSION NOT TO SCALE

TITLE:

PLD-1.5

DOCUMENT NO: 98ASB15740C REV: E

STANDARD: NON-JEDEC

SOT1811-1

03 MAR 2016