

Ready Play Solutions

USB2SER Bridge

Overview

Freescle's Ready Play solutions integrate certified functionality to different applications, allowing customers to add features while reducing development cost—simplifying design cycles and enabling scalability in applications and systems.

USB2SER is a USB to UART bridge on 5 x 5 mm, lead-free QFN24. It is a simple, cost-effective solution to enable USB for an embedded system with a UART port and reduce external component count. It supports USB 2.0 Full-Speed and TTL RS232 or RS485 UART with options for hardware flow control, software flow control (Xon-Xoff), even or odd parity and stop bits configuration.

The USB2SER is RoHS-compliant and can act as a CDC standard device, eliminating the need for custom drivers for operation when flow control is not needed (only an INF file is required).

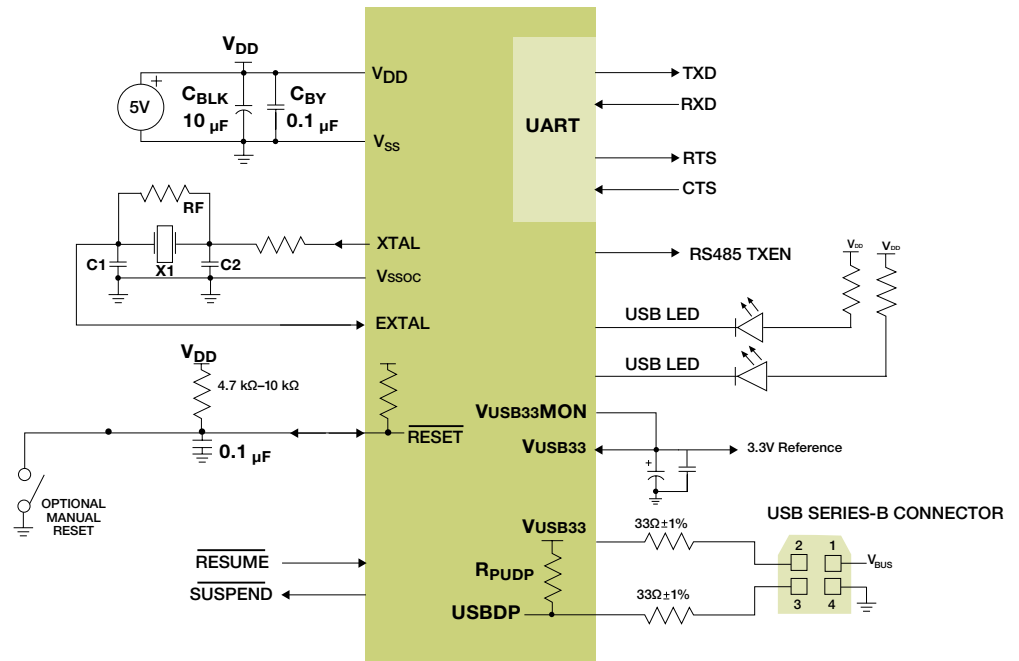
Key Features

- Single-chip USB to UART data transfer (TTL RS232 or RS485)
- Configurable USB VID, PID and device description strings in internal flash
- Certified full USB 2.0 Full-Speed support
- Configurable password to protect device from additional parameter modifications
- Certified for Windows 7, Windows XP and Windows Vista 9
- UART with programmable custom baud rates from 300 bps to 115200 bps and hardware flow control (RTC/CTS) or software Xon/Xoff flow control
- Add USB to systems that require lengthy certifications (e.g., medical, military, aerospace)
- Resume signal to request a remote wake-up and suspend output to indicate that the device is in suspended mode
- Supports 2 MHz, 4 MHz, 6 MHz, 8 MHz, 12 MHz and 16 MHz external crystals with automatic crystal frequency detection
- PC peripheral bridges

Target Applications



USB2SER Bridge



Ordering Information

	Description	MSRP (USD)
Part Number	USB2SERA10CFK	\$1.47 USD 10 KU
Development Tools	EVUSB2SER	\$19.99 USD
Tools and Software	Drivers and set-up GUI	No cost



For current information about Freescale products and documentation, please visit freescale.com/USB2SER