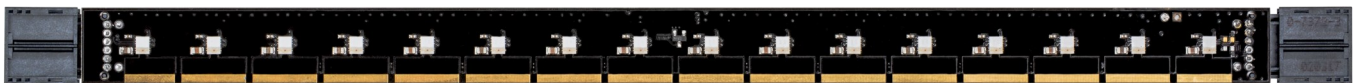
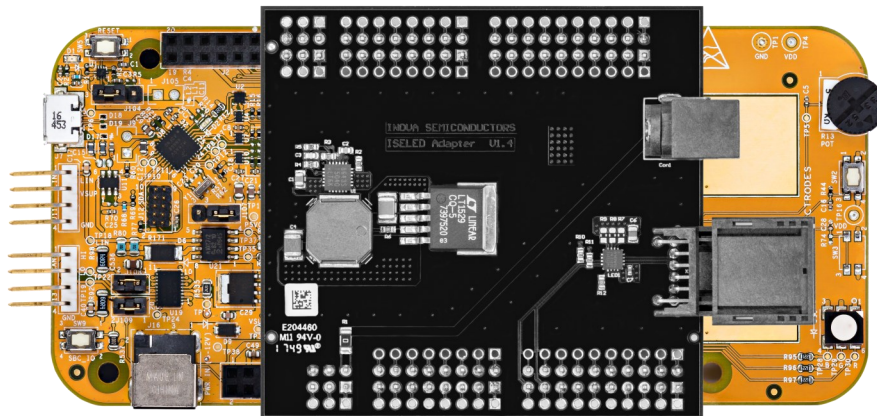
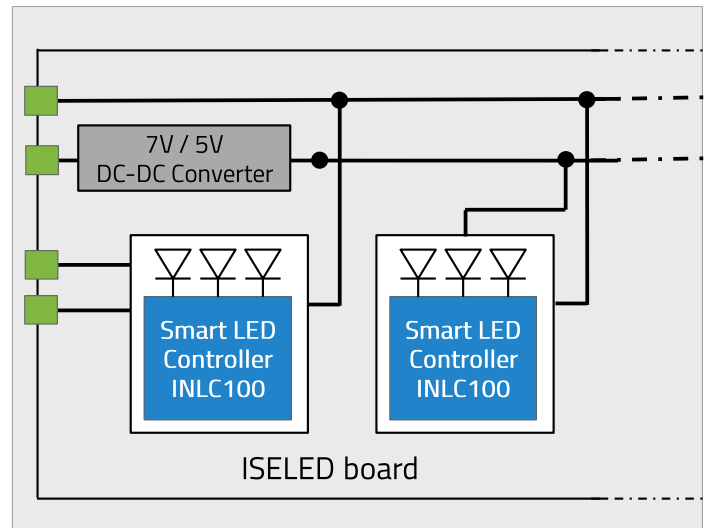
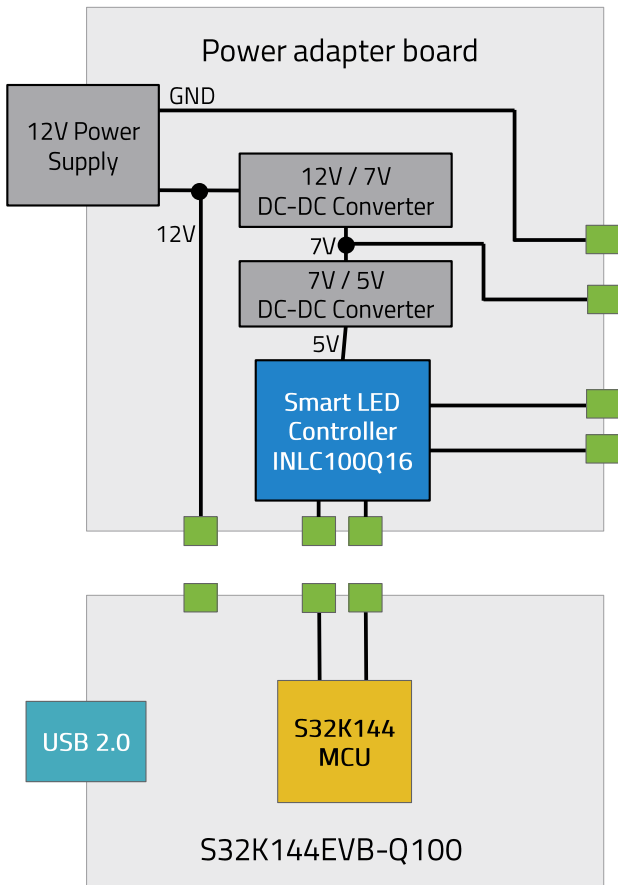


ISELED Evaluation Kit

FEATURES

- Digital controllable RGB LEDs
 - Calibrated to D65 white point
 - 24 bit color space
- Complete ecosystem, designed for automotive
- Temperature compensation for red LED
- 488Hz PWM frequency
- Daisy chain support
- LED bar with 16 LEDs
- NXP S32K144EVB-Q100 controller board
- ISELED communication protocol
 - Addressing of up to 4079 LEDs
 - Half-duplex, bi-directional 2Mbit/s communication
 - Low latencies
 - Differential communication in the chain
 - Single ended communication between host and first LED
 - Diagnostic support
 - Optional CRC data protection
- Software driver for easy development





SET CONTENT

- ISELED board
- S32K144-EVB-Q100 board from NXP
- Power adapter board
- Board connection cable
- Micro USB 2.0 cable
- Power supply

APPLICATIONS

- Ambient lighting
- Roof lighting
- Display backlight
- Functional lighting
- Dynamic lighting effects

ORDERING INFORMATION

PART NUMBER: ISELED_ADK



www.farnell.com