

AN11418

2500 MHz low noise, high linearity amplifier using BGU8053

Rev. 2 — 14 January 2014

Application note

Document information

Info	Content
Keywords	BGU8053, 2500 MHz, LNA, BTS
Abstract	This document provides circuit schematic, layout, BOM and typical EVB performance for a 2500 MHz LNA. For wireless infrastructure applications.
Ordering info	<u>Evaluation kit number:</u> OM7957, Including 2 BGU8053 2500 MHz LNAs, 1 for FDD and 1 for TDD. 12NC: 9340 679 15598
Contact information	For more information, please visit: http://www.nxp.com



Revision history

Rev	Date	Description
2	20140114	Correct evaluation board number and 12 nc on front page
1	20131202	First publication

Contact information

For more information, please visit: <http://www.nxp.com>

For sales office addresses, please send an email to: salesaddresses@nxp.com

1. Introduction

NXP's semiconductors BGU805x series is a new family of integrated low noise amplifiers for the 300 MHz to 4 GHz range. The series consists of the:

- BGU8051 recommended for 300 MHz - 1500 MHz
- BGU8052 recommended for 1500 MHz – 2500 MHz
- BGU8053 recommended for 2000 MHz – 4000 MHz

The BGU805X series is a low noise high linearity amplifier family intended for wireless infrastructure applications like BTS, RRH, small cells, but can also be used in other general low noise applications, e.g. active antennas for automotive.

Being manufactured in NXP's high performance QUBiC RF Gen 8 SiGe:C technology, the BGU805X combines high gain, ultra-low noise and high linearity with the process stability and ruggedness which are the characteristics of SiGe:C technology.

BGU805X series comes in the industry standard 2 x 2 x 0.75 mm 8 terminal plastic thin small outline package HVSON8 (SOT1327). The LNA is ESD protected on all terminals.

This application note demonstrates of the BGU8053 applied in a 2500MHz LNA for wireless infrastructure applications. In [Fig 1](#) the evaluation board is shown which is described in this application note.

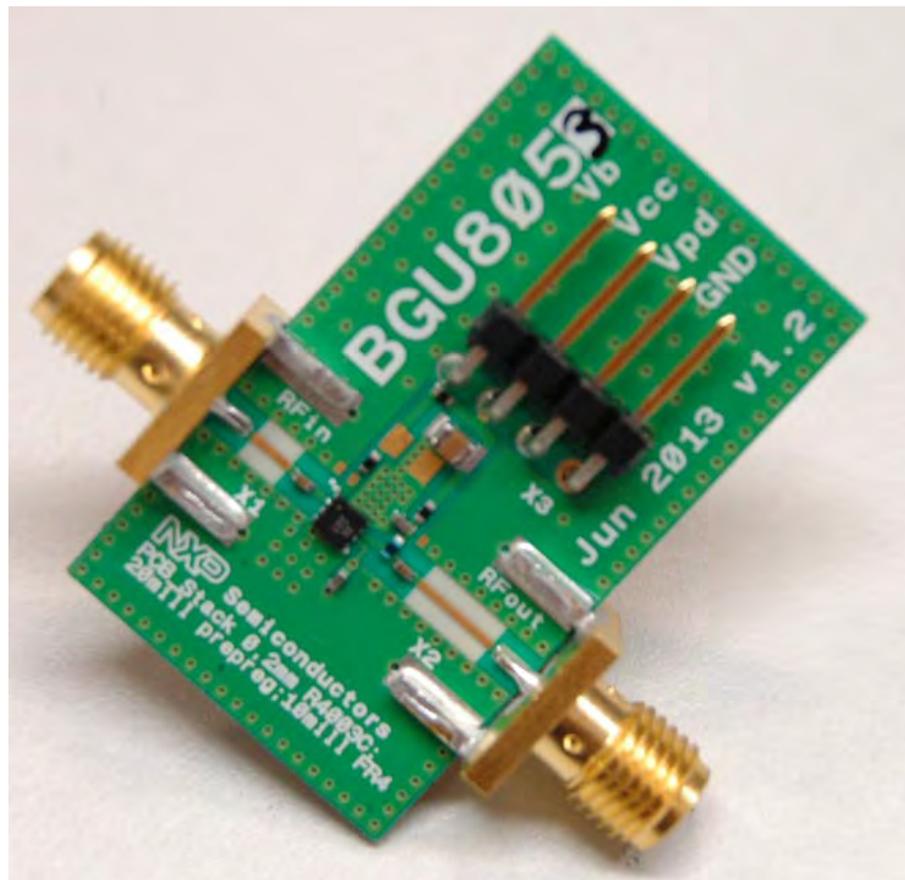


Fig 1. Evaluation board.

The BGU8053 evaluation board is fabricated on a 35 x 20 mm 1mm thick 3 layer PCB that uses 0.2 mm (8 mill) R4003C for the RF performance. The board is fully assembled with the BGU8053, including the external components. The board is supplied with two SMA connectors to connect input and output to the RF test equipment. The EVBs are also enabled with the possibility to evaluate the BGU8053 at different bias currents.

2. Product description

The BGU8053 is a fully integrated low noise amplifier with integrated bias circuit. The MMIC is internally matched to 50 Ω . The BGU8053 also features an integrated shutdown circuit to enable fast turn on/off settling time, enabling switched (time domain duplexing TDD) applications. The device bias current can be set by the value of an external bias resistor R_{BIAS} , which connects the supply voltage to the V_{BIAS} pin, or by an external control voltage applied directly to V_{BIAS} pin 1. This adjustable bias current gives flexibility in biasing the device for the optimum performance on NF or linearity. This feature can be useful in case more than one BGU8053 are cascaded. This bias resistor value changes the bias current directly which can be used to trade of linearity for power saving in battery operated applications.

The BGU8053 key features and benefits at 2500MHz are;

- Low noise performance: NF = 0.56 dB
- High linearity performance: IP3_O = 35.6 dBm
- High input return loss RL_{in} > 11 dB
- High out return loss RL_{out} > 20dB
- Unconditionally stable up to 20 GHz
- Max RF input power of +20 dBm
- ESD protection on all pins
- Fast shutdown for TDD system.

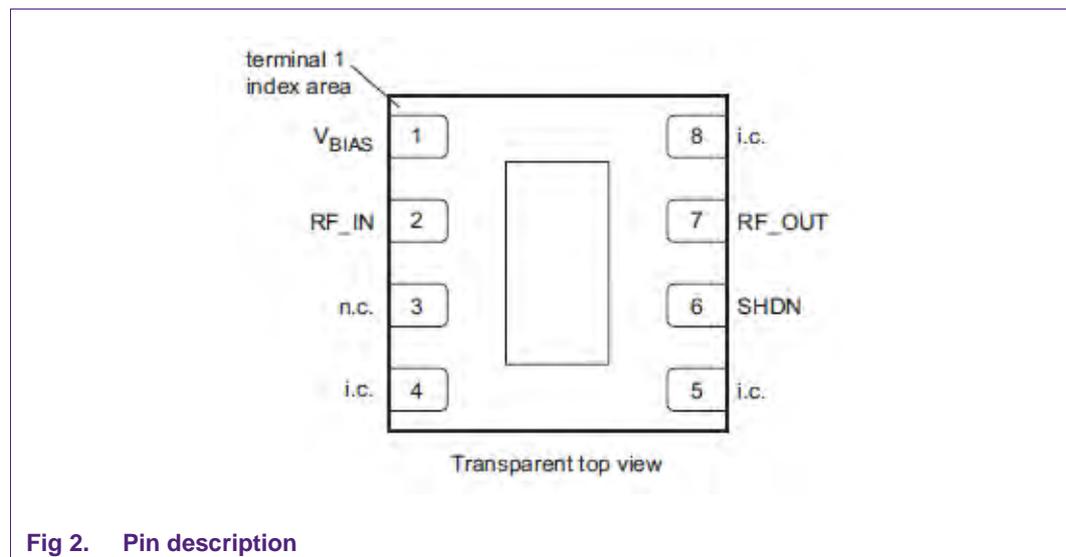


Fig 2. Pin description

In [Fig 2](#) the pin out of the BGU8053 is given, the n.c. and i.c. pin are recommended to connect to ground, which is the case on the evaluation boards.

3. Application board

3.1 Application circuit

The application board circuit diagram that is implemented on the EVB is shown in [Fig 3](#)

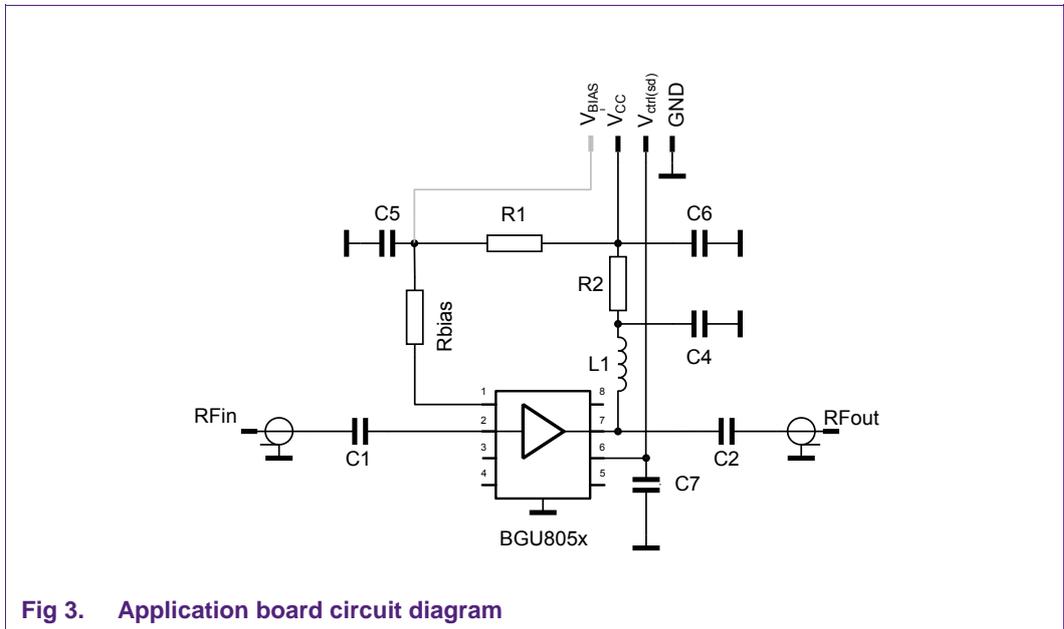
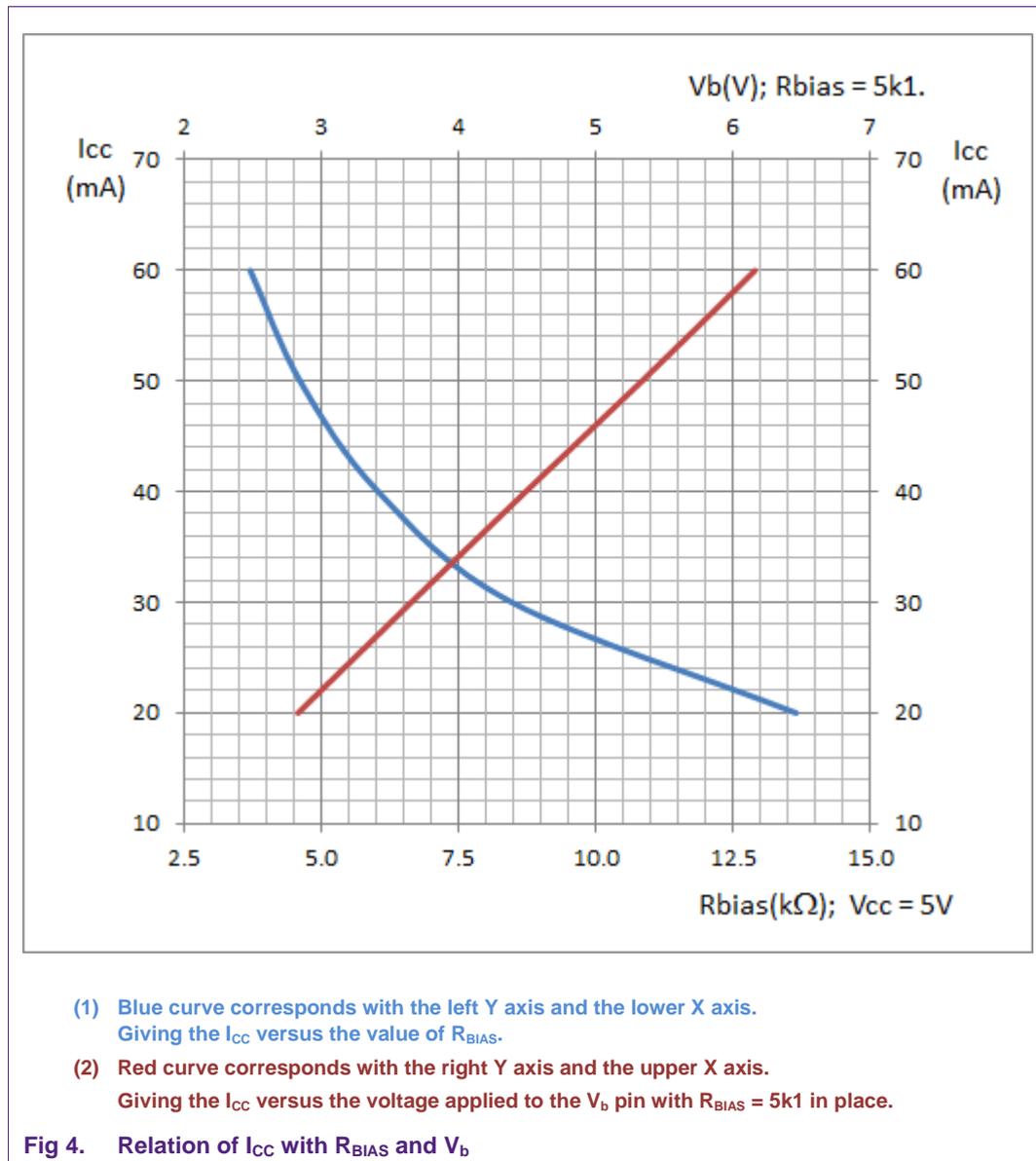


Fig 3. Application board circuit diagram

As stated before the bias current of the BGU8053 can be set by the value of an external resistor R_{BIAS} . The evaluation boards are supplied with a 5.1 k Ω bias resistor ($I_{CC} = 48$ mA +/-5 mA). If however it is required to evaluate the BGU8053 at different bias currents, resistor R1 which is 0 Ω can be removed and an external control voltage can be applied to V_{BIAS} (V_b pin) on the bias header, see [Fig 3](#).

By applying this separate bias voltage on the V_{BIAS} pin of the bias header, the I_{CC} current can be swept without changing R_{BIAS} . With bias voltage window from 4 to 6 V on V_b while keeping the V_{CC} pin on 5 V, I_{CC} can be varied from 30-60 mA. In [Fig 4](#) the relation between I_{CC} and R_{BIAS} at $V_{CC} = 5$ V as well as the relation between I_{CC} and V_b with $R_{BIAS} = 5k1$ is shown.



3.2 PCB Layout information

A good PCB layout is an essential part of an RF circuit design. The LNA evaluation board of the BGU8053 can serve as a guideline for laying out a board using the BGU8053. The evaluation board uses micro strip coplanar ground structures for controlled impedance lines for the high frequency input and output. V_{CC} is bypassed by C4 and C6 decoupling capacitors, C4 preferably should be located as close as possible to the device, to avoid AC leakage via the bias lines. For long bias lines it may be necessary to add decoupling capacitors along the line further away from the device. The self-resonance frequency of inductor L1 should be chosen above f_0 for good choking. In this case the Murata LQW 15 series has been used. Proper grounding of the GND pins is also essential for good RF performance. Either connect the GND pins directly to the ground plane or through vias, or do both, which is recommended. The layout and component placement of the BGU8052 evaluation board is given in [Fig 5](#)

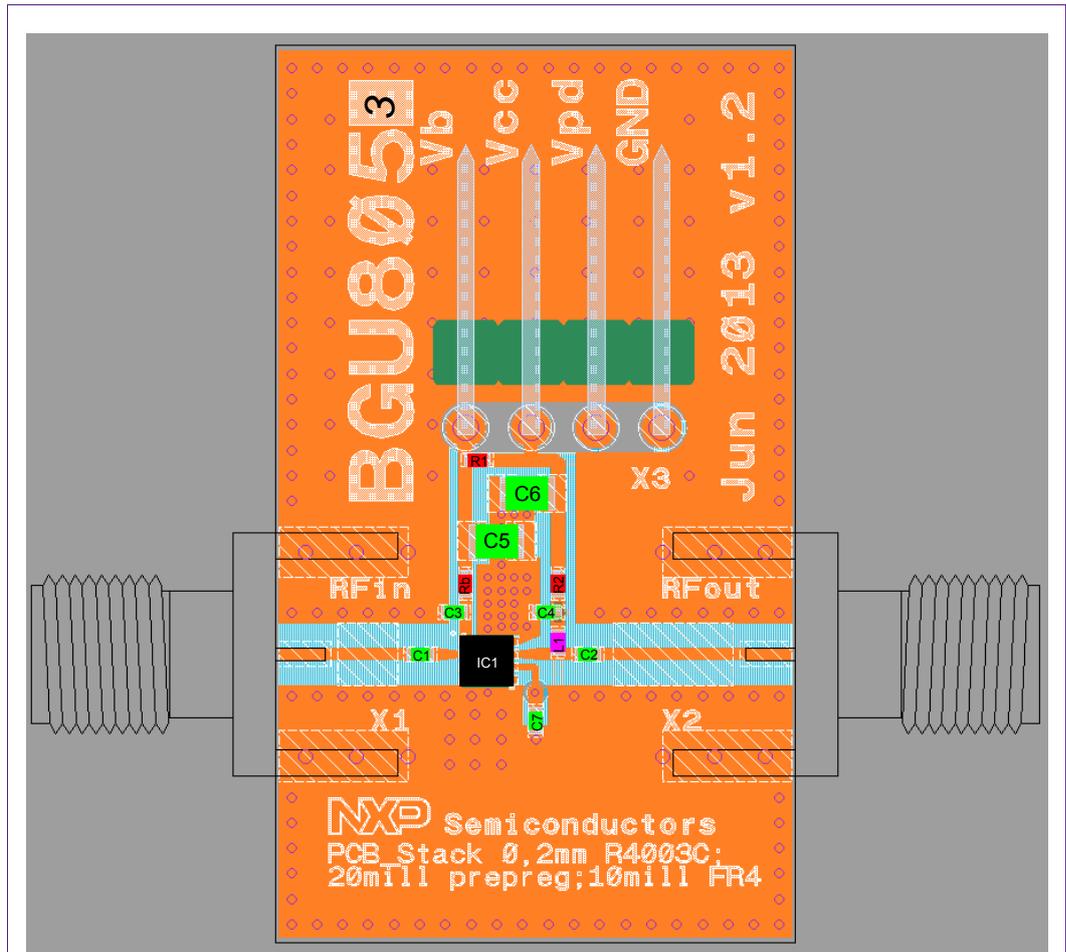
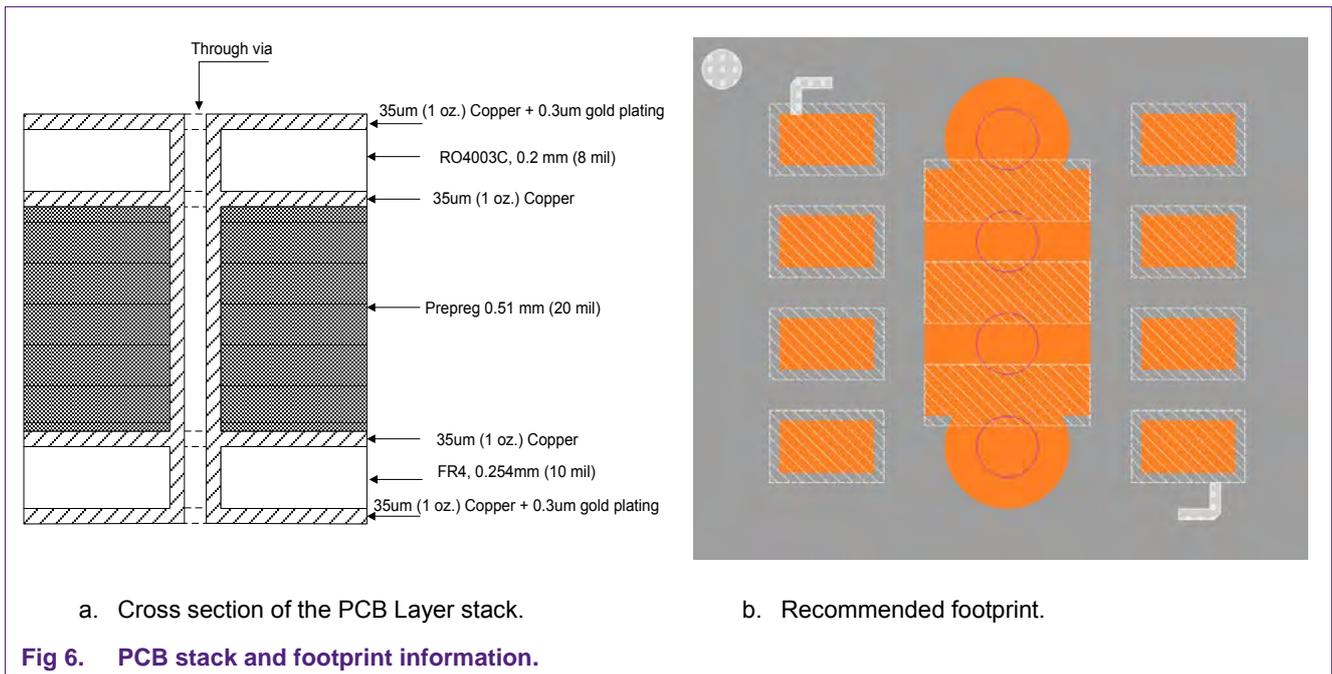


Fig 5. BGU8053 2500MHz evaluation board component placement

3.2.1 PCB stack and recommended footprint.

The PCB material used to implement the LNA is a 0.2 mm (8 mil) RO4003C low loss printed circuit board which is merged to a 0.51 mm (20 mil) prepreg and a 0.254 mm (10 mil) FR4 layer for mechanical stiffness. See [Fig 6a](#)

The official drawing of the recommended footprint can be found via following link, [sot1327-1_fr.pdf](#). If micro strip coplanar PCB technology is used it is recommended to use at least 4 ground-via holes of 300um this is also used on the EVBs as shown in [Fig 6b](#).



3.3 Bill of materials

[Table 1](#) gives the bill of materials as is used on the EVB for non-switching applications. In [paragraph 5](#) the differences in the BOM related to switched (TDD) applications are given.

Table 1. BOM

Designator	Description	Footprint	Value	Supplier Name/type	Comment/function
IC1	BGU8053				
PCB	20x35x1mm				RO4003C
C1,C2	Capacitor	0402	100nF	Various	DC block
C4	Capacitor	0402	10pF	Various	RF decoupling
C5	Capacitor	0806	4.7uF	Various	Optional
C6	Capacitor	0806	4.7uF	Various	LF Decoupling
C7	Capacitor	0402	100pF	Various	Decoupling
L1	Inductor	0402	15nH	Murata LQW15	Bias choke/Output match
R1	Resistor	0402	0Ohm	Various	
R2	Resistor	0402	10Ohm	Various	stability
Rbias	Resistor	0402	5k1	Various	Bias setting
X1,X2	SMA RF connector			Johnson, End launch SMA 142-0701-841	RF connections
X3	DC header			Molex, PCB header, right angle, 1 row 4 way	DC connections

4. Typical application board results

4.1 Typical board performance

The values given in [Table 2](#) are typical values of >25 boards measured.

Table 2. Typical board performance using the BOM for non-switched applications, unless otherwise indicated.
 $F=2500\text{MHz}$; $V_{cc}=5\text{V}$; $T_{amb}=25^\circ\text{C}$; input and output 50Ω ; $R_{bias}=5.1\text{k}\Omega$.

Symbol	Parameter	Conditions	Typ	Unit
I_{cc}	Supply current		48	mA
G_{ass}	Associated gain		18.2	dB
NF	Noise figure		0.56	dB
$P_{L(1dB)}$	Output power at 1dB gain compression		18.1	dBm
$IP3O$	Output third-order intercept point	2-tone; tone spacing = 1MHz; $P_i = -15\text{dBm}$ per tone	35.6	dBm
RL_{in}	Input return loss		11.7	dB
RL_{out}	Output return loss		27.7	dB
ISL	Isolation		24	dB
$T_{s(pon)}$	Power-on settling time	$P_i = -20\text{dBm}$; SHDN(pin 6) from High to Low	[1] 1.6	μs
$T_{s(poff)}$	Power-off settling time	$P_i = -20\text{dBm}$; SHDN(pin 6) from Low to High	[1] 0.06	μs

[1] The power on/off settling time has been measured on the boards with the BOM for switched applications, C1 and C2 are 100pF.

4.2 S_Parameter, 1dB compression, IIP3, measurement setup

The BGU8053 EVBs are fully assembled and tested.

Fig 7 Shows the measurements setup that is used to evaluate the BGU8053 EVB for S_parameters (G_{ass} , RL_{in} , RL_{out} , and ISL), 1dB gain compression as well as OIP3. It is intended as a guide only, substitutions are possible.

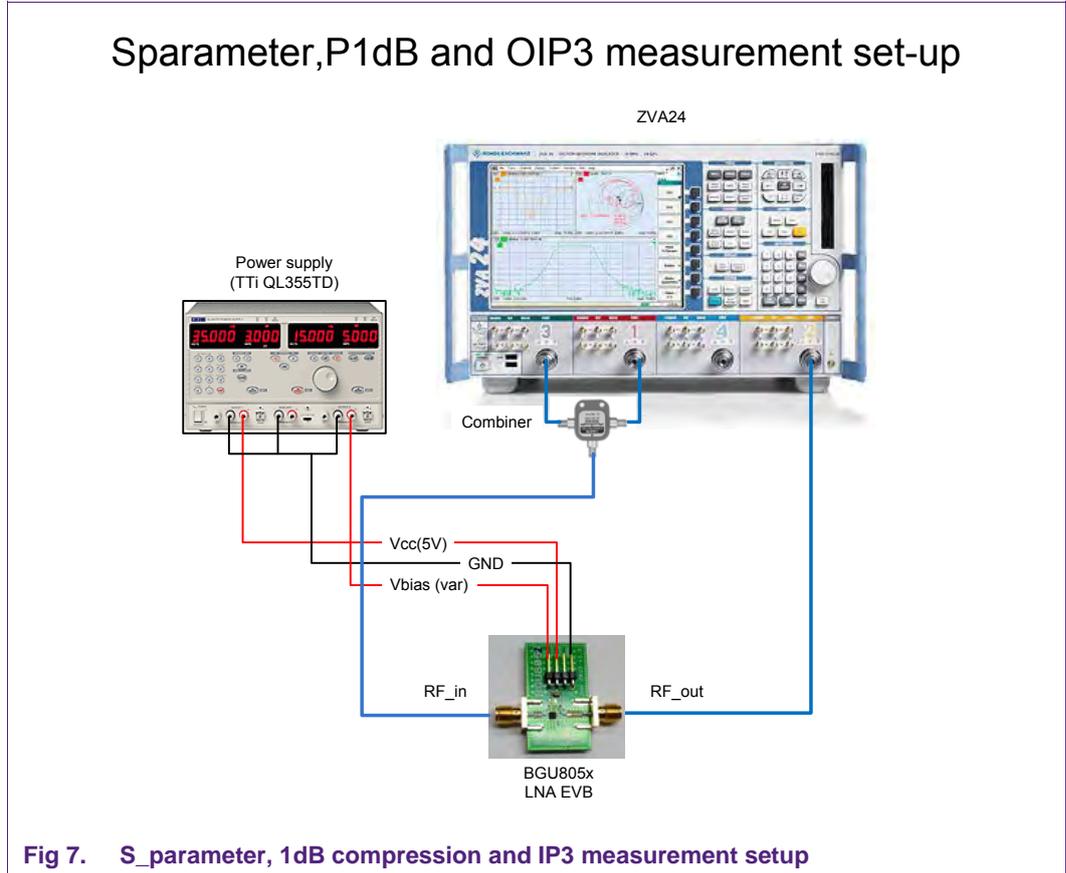
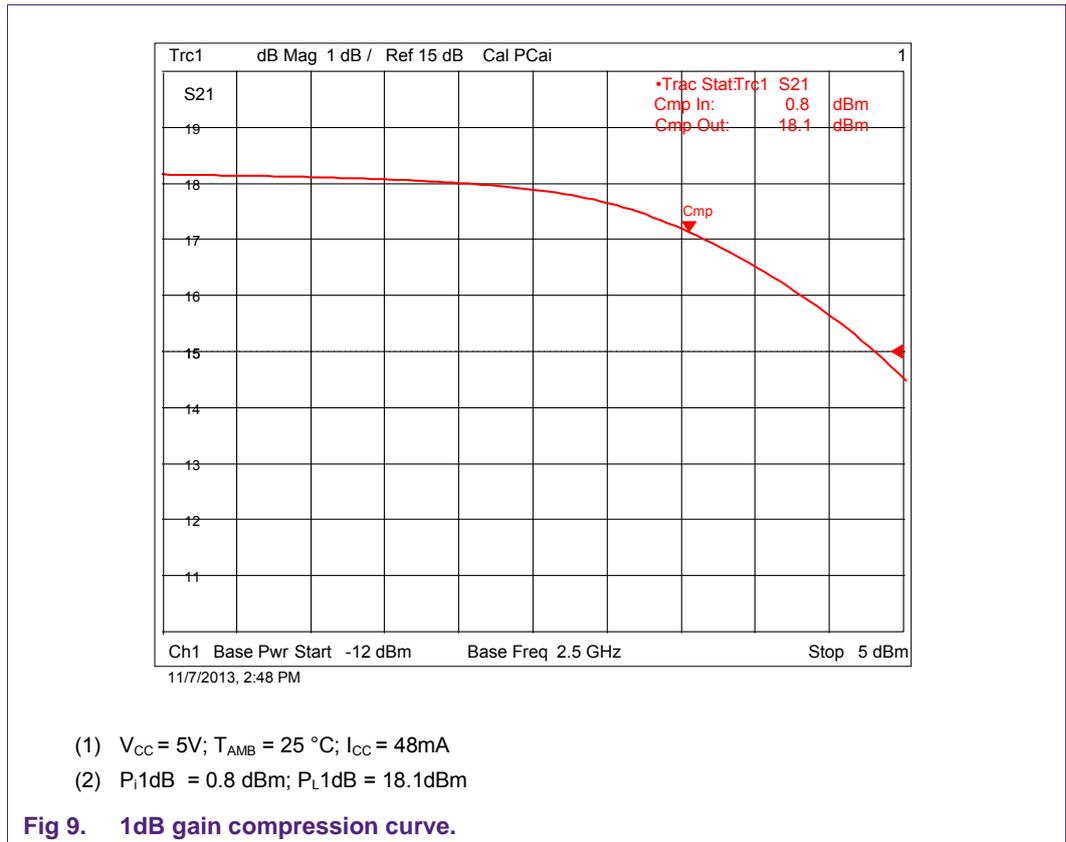
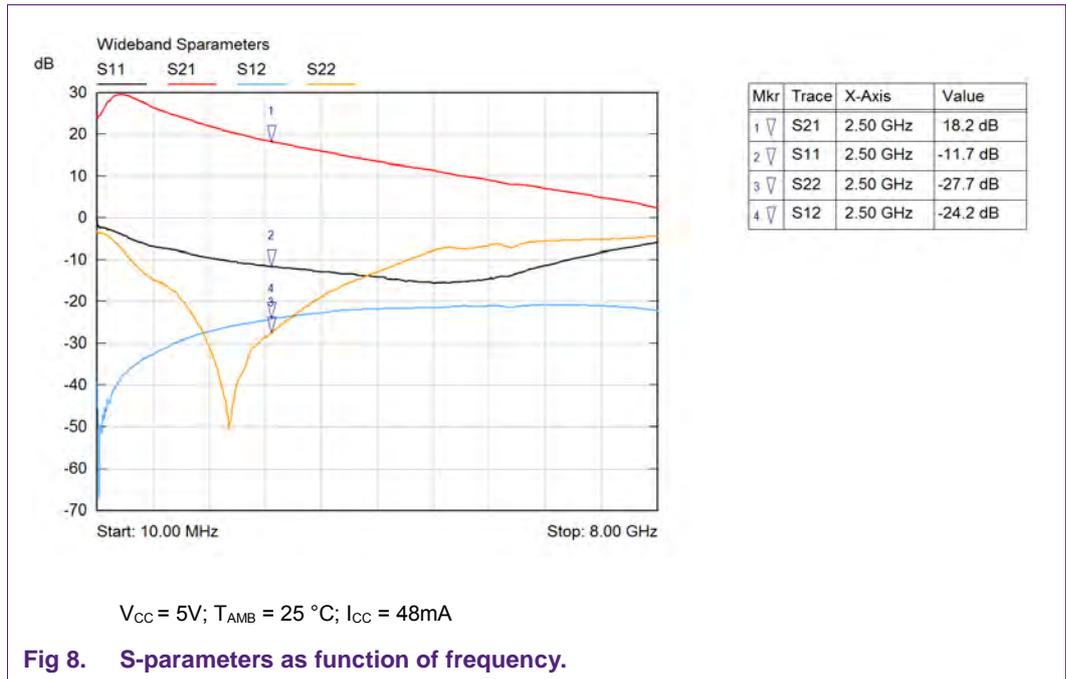


Fig 8 shows the typical wide band S parameter measured on the BGU8053 EVB. The 1dB gain compression curve is shown in Fig 9.



4.3 Noise figure measurement setup

In [Fig 10](#) the noise figure measurement set-up is shown, this is also intended as a guide only, substitutions can be made. For noise levels of the BGU8053 which <1 dB it is recommended to perform the noise-measurements in a Faraday's cage or at least put the DUT in a shielded environment. This is recommended to avoid any interference of cellular frequencies that are in the same frequency range.

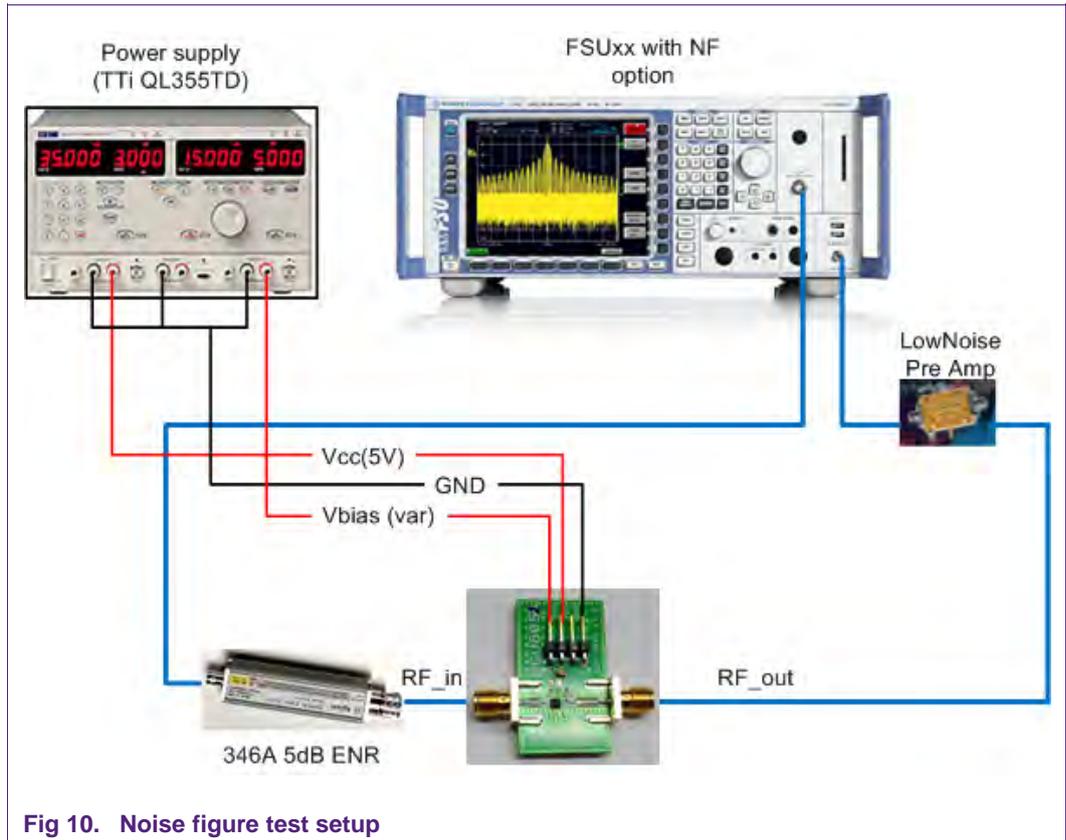
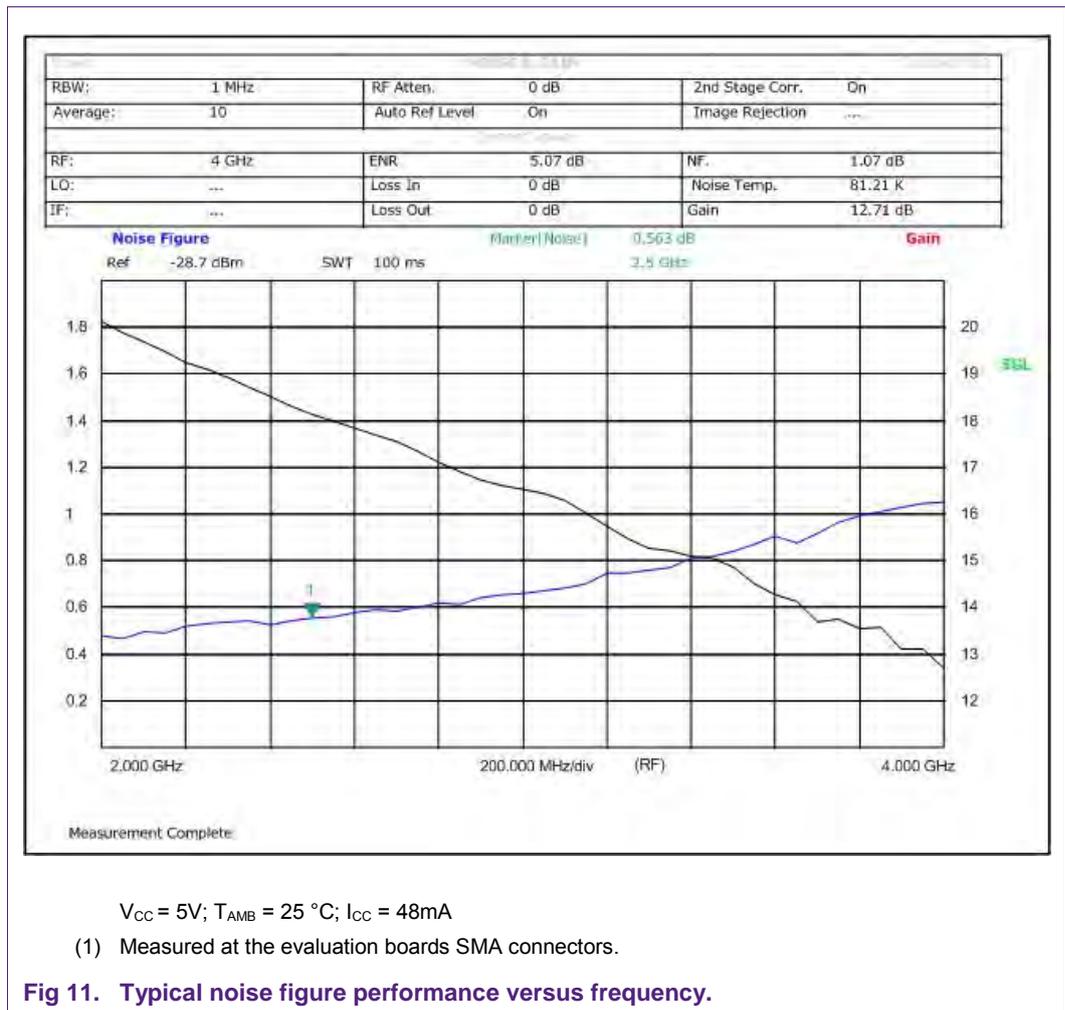


Fig 10. Noise figure test setup

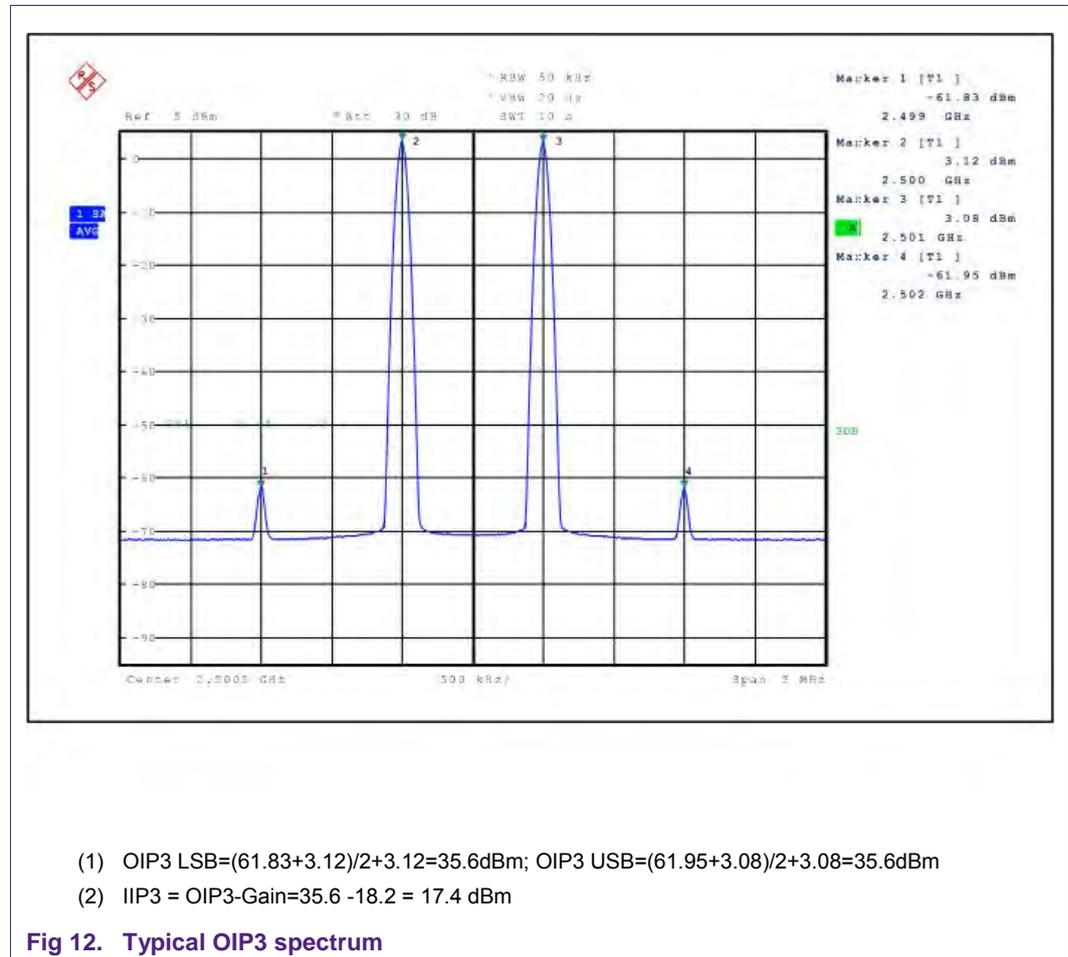


The noise figure shown in Fig 11 is measured using the setup shown in Fig 10 .A spectrum analyzer with noise option. A 5dB ENR noise source was used. To achieve the lowest possible setup noise figure an external pre amplifier is also recommended.

The Noise figure value in Fig 11 is the value measured at the evaluation board SMA connectors. Correcting for the connector and PCB loss will end up in 0.05dB lower noise figure.

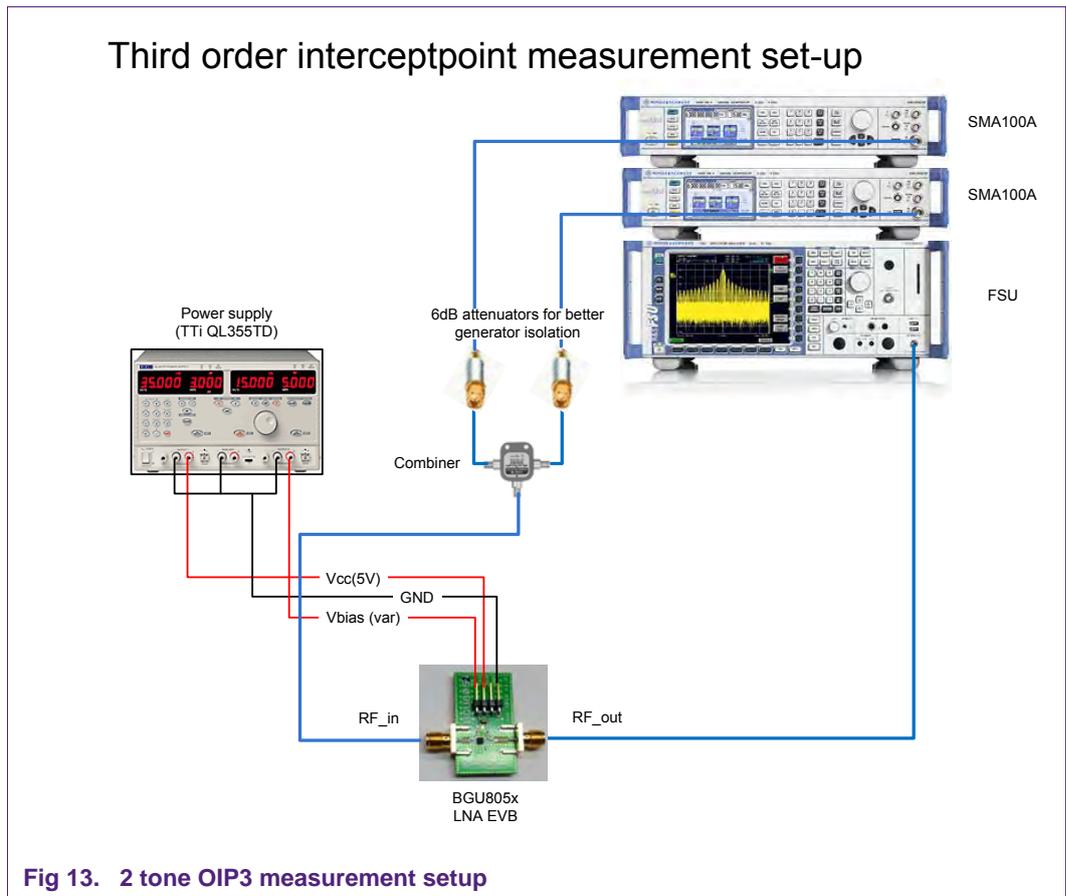
4.4 3rd order intercept point, output referred

The evaluation boards provided in the customer evaluation kit are automatically measured on linearity using the set-up shown in Fig 7. Alternatively the setup given in Fig 13 can be used, which is done for the spectrum plot in Fig 12.



The bias choke L1 on the application board is determined empirically in order to get the best OIP3 as well as keeping good output return loss, S22. On the EVB for non-switching applications the values of C1 and C2 are chosen to be 100nF. Capacitors, C1 and C2 do not have any matching functionality, but are only required for DC blocking. In [1] the effect on linearity of SiGe BiCMOS BJTs and the advantage of using low source impedances at the low frequencies of the 2nd order mixing terms is described. These C1 and C2 being 100nF gives better 2nd order mixing suppression. However for the applications where the LNA is switched with high switching frequencies and power on settling times of several micro seconds is required, the values of C1 has to be decreased to lower than 100pF which effects the IP3.

When measuring the high OIP3 values it is essential check the capabilities of the used measurement equipment. Be aware that the measurement set-up itself is not generating dominating IM3 levels. Advised is to do a back to back measurement without a DUT first.



5. BGU8053 applied in switched applications

5.1 Description

If the BGU8053 is used in switched applications both the SHDN pin as well as the V_{bias} pin can be used to apply a switch control voltage. It is preferred to use the SHDN pin.

Both pins require less than 1 mA driving current which means they are CMOS compatible. This enables LNA switching directly via a micro controller.

As stated before, if the BGU8053 is applied in time domain duplexing (TDD) kind of systems with requirements on the power on/off settling time, C1 needs to be decreased to ≤ 100 pF, in order to achieve a power on settling time of < 2 μs .

There is an alternative way of switching the LNA, by switching the overall supply. In this case the switching time is limited by the time constant created by $C6 \times R_{\text{BIAS}}$. So additional to lowering the value of C1 the decoupling capacitor C6 (4.7 μF) also has to be decreased to values < 10 nF. Please note that lowering the low frequency decoupling capacitor makes the circuit more sensitive to V_{CC} modulation of the 2nd order mixing products.

5.2 Measuring Power-on-off settling time

The circuit used to measure the power on/off settling time is shown in [Fig 14](#). This can be used as a guidance to determine the power on/off settling time.

The waveform generator is used to provide the control voltage on either the SHDN pin (6) or the V_{BIAS} pin (1).

Set the waveform generator Agilent 33250 to square mode and the output amplitude to required voltage for the used control pin, with 50 ohm output impedance. Set the RF signal generator output level to -25dBm at 2500 MHz and increase its level until the peak detector output level is about 5mV on 1mV/division, the signal generator RF output level is approximately -20 dBm.

A peak detector is needed to detect the high frequency AC signal at the output of the DUT, representing it as a DC voltage equal to the peak level of the applied AC signal.

It is very important to keep the cables as short as possible at input and output of the LNA so the propagation delay difference on cables between the two channels is minimized. It is also critical to set the oscilloscope input impedance to 50ohm on channel 2 so the diode detector can discharge quickly to avoid a false result on the Turn OFF time testing.

In case of switching the supply (V_{CC}) an additional PNP switching transistor circuit was used to drive the 48 mA I_{CC} . This circuit is controlled by the waveform generator.

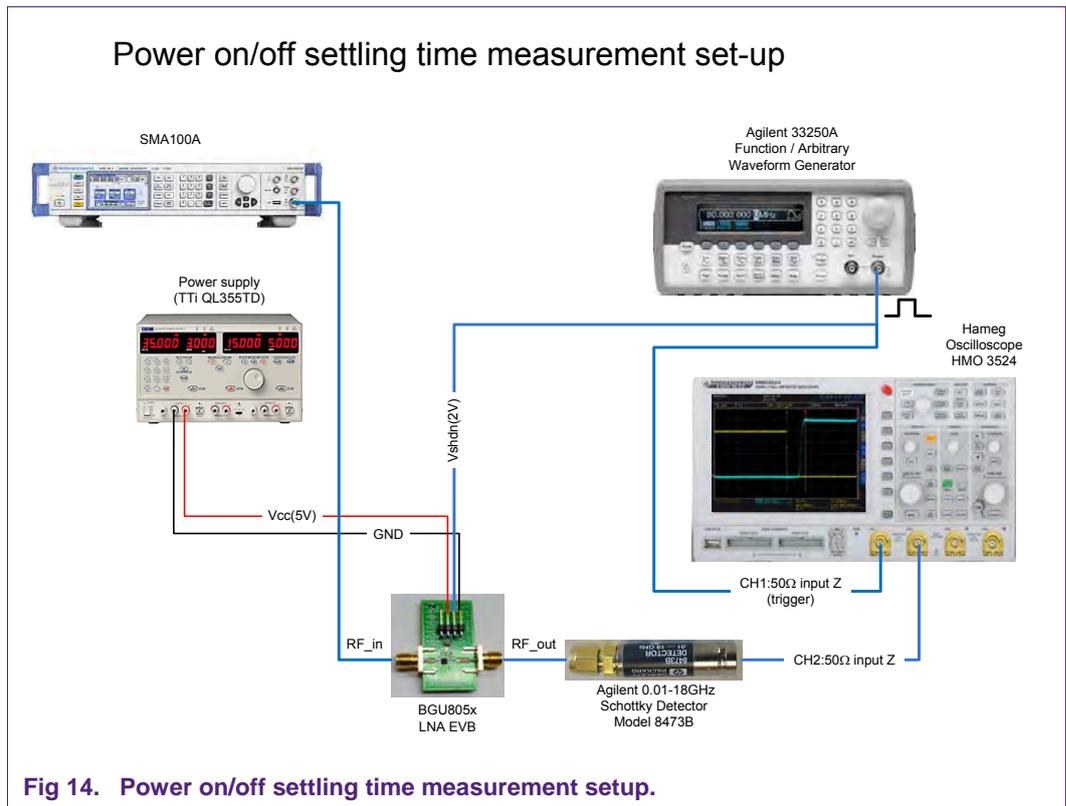


Fig 14. Power on/off settling time measurement setup.

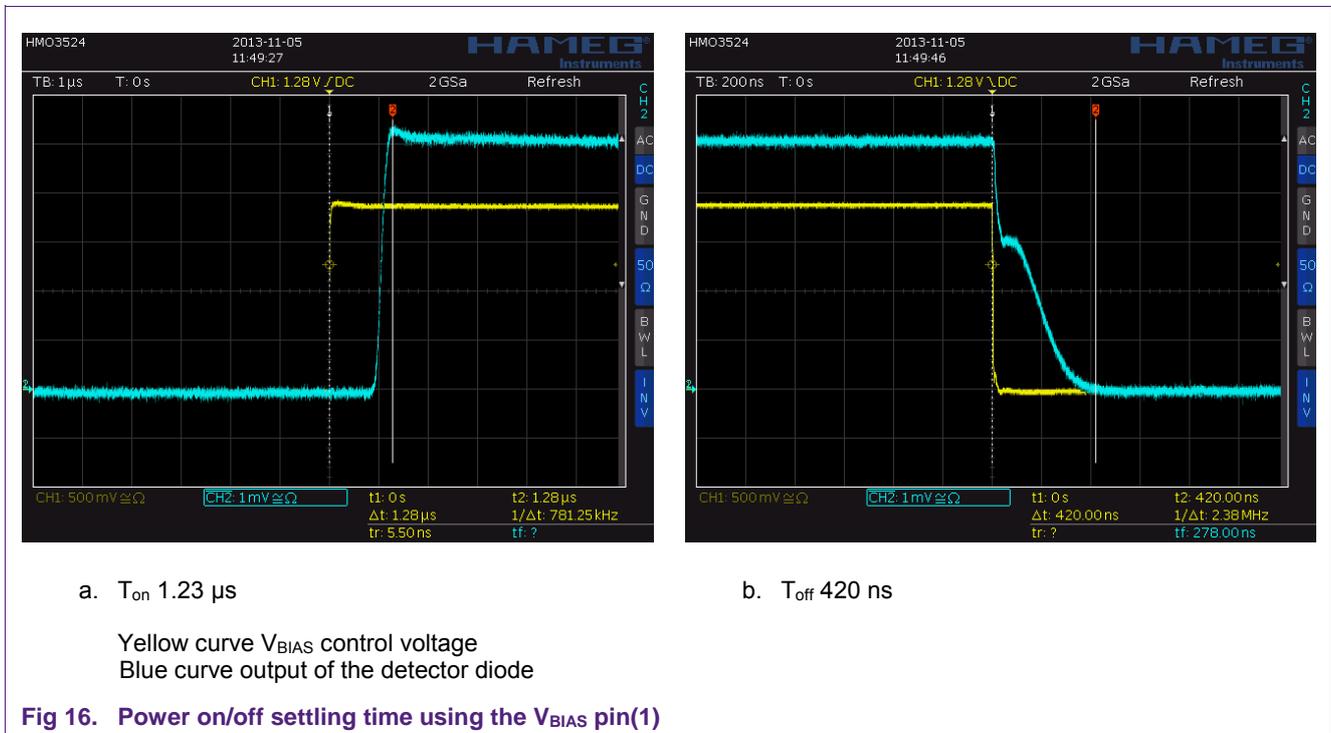
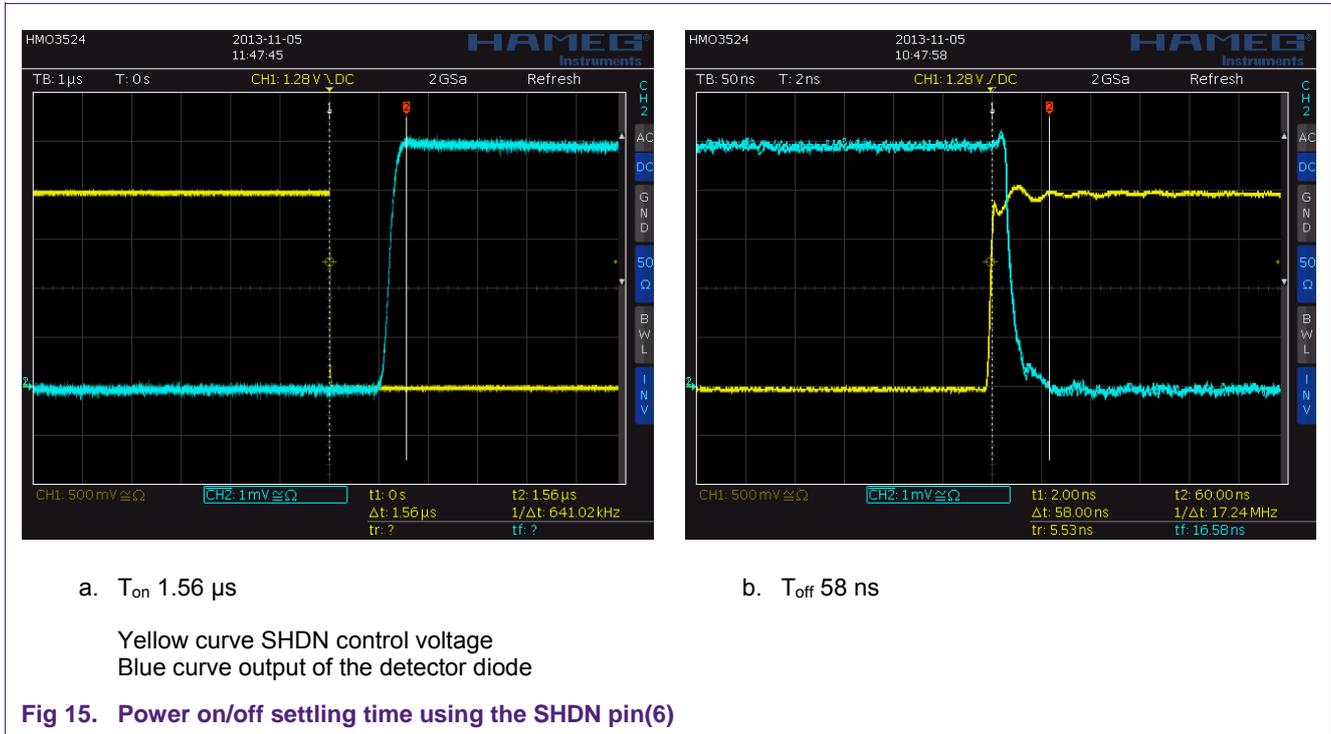
Table 3. Typical power on/off settling time

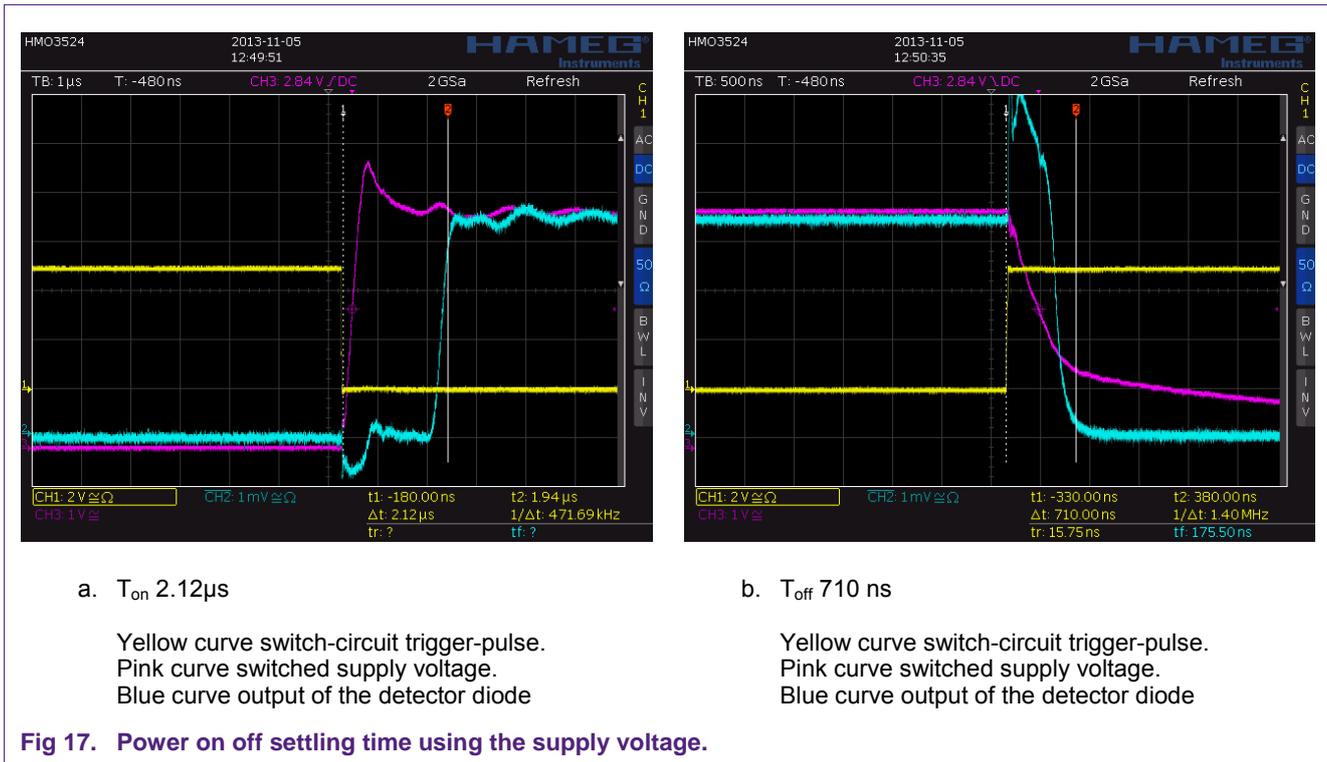
Measured on BGU8053 EVB. C1=C2=100pF

Control pin	Power on	Power off	Units
SHDN	1.6	0.05	µs
V _{BIAS}	1.3	0.42	µs
V _{CC} ^[1]	2.1	0.71	µs

[1] C6 ≤ 10nF

Fig 15 to Fig 17 is showing power on/off settling time curves for the different control circuits.





6. References

- [1] Vladimir Aparin, Lawrence E. Larson, “Linearization of monolithic LNAs Using Low-Frequency Low-Impedance Input Termination”. IEEE 0-7 803-8 108-4/03 ©2003

7. Customer Evaluation Kit

In the customer evaluation kit you will find;

- 2 EVBs
- 10 loose samples.

On the back side of the boards it is indicated whether the board is meant for a fast switching applications TDD or for non-switching applications FDD. [Fig 18](#) shows a picture of the customer evaluation kit.



Fig 18. Customer evaluation kit.

8. Legal information

8.1 Definitions

Draft — The document is a draft version only. The content is still under internal review and subject to formal approval, which may result in modifications or additions. NXP Semiconductors does not give any representations or warranties as to the accuracy or completeness of information included herein and shall have no liability for the consequences of use of such information.

8.2 Disclaimers

Limited warranty and liability — Information in this document is believed to be accurate and reliable. However, NXP Semiconductors does not give any representations or warranties, expressed or implied, as to the accuracy or completeness of such information and shall have no liability for the consequences of use of such information.

In no event shall NXP Semiconductors be liable for any indirect, incidental, punitive, special or consequential damages (including - without limitation - lost profits, lost savings, business interruption, costs related to the removal or replacement of any products or rework charges) whether or not such damages are based on tort (including negligence), warranty, breach of contract or any other legal theory.

Notwithstanding any damages that customer might incur for any reason whatsoever, NXP Semiconductors' aggregate and cumulative liability towards customer for the products described herein shall be limited in accordance with the Terms and conditions of commercial sale of NXP Semiconductors.

Right to make changes — NXP Semiconductors reserves the right to make changes to information published in this document, including without limitation specifications and product descriptions, at any time and without notice. This document supersedes and replaces all information supplied prior to the publication hereof.

Suitability for use — NXP Semiconductors products are not designed, authorized or warranted to be suitable for use in life support, life-critical or safety-critical systems or equipment, nor in applications where failure or malfunction of an NXP Semiconductors product can reasonably be expected to result in personal injury, death or severe property or environmental damage. NXP Semiconductors accepts no liability for inclusion and/or use of NXP Semiconductors products in such equipment or applications and therefore such inclusion and/or use is at the customer's own risk.

Applications — Applications that are described herein for any of these products are for illustrative purposes only. NXP Semiconductors makes no representation or warranty that such applications will be suitable for the specified use without further testing or modification.

Customers are responsible for the design and operation of their applications and products using NXP Semiconductors products, and NXP Semiconductors accepts no liability for any assistance with applications or

customer product design. It is customer's sole responsibility to determine whether the NXP Semiconductors product is suitable and fit for the customer's applications and products planned, as well as for the planned application and use of customer's third party customer(s). Customers should provide appropriate design and operating safeguards to minimize the risks associated with their applications and products.

NXP Semiconductors does not accept any liability related to any default, damage, costs or problem which is based on any weakness or default in the customer's applications or products, or the application or use by customer's third party customer(s). Customer is responsible for doing all necessary testing for the customer's applications and products using NXP Semiconductors products in order to avoid a default of the applications and the products or of the application or use by customer's third party customer(s). NXP does not accept any liability in this respect.

Export control — This document as well as the item(s) described herein may be subject to export control regulations. Export might require a prior authorization from competent authorities.

Evaluation products — This product is provided on an "as is" and "with all faults" basis for evaluation purposes only. NXP Semiconductors, its affiliates and their suppliers expressly disclaim all warranties, whether express, implied or statutory, including but not limited to the implied warranties of non-infringement, merchantability and fitness for a particular purpose. The entire risk as to the quality, or arising out of the use or performance, of this product remains with customer.

In no event shall NXP Semiconductors, its affiliates or their suppliers be liable to customer for any special, indirect, consequential, punitive or incidental damages (including without limitation damages for loss of business, business interruption, loss of use, loss of data or information, and the like) arising out of the use of or inability to use the product, whether or not based on tort (including negligence), strict liability, breach of contract, breach of warranty or any other theory, even if advised of the possibility of such damages.

Notwithstanding any damages that customer might incur for any reason whatsoever (including without limitation, all damages referenced above and all direct or general damages), the entire liability of NXP Semiconductors, its affiliates and their suppliers and customer's exclusive remedy for all of the foregoing shall be limited to actual damages incurred by customer based on reasonable reliance up to the greater of the amount actually paid by customer for the product or five dollars (US\$5.00). The foregoing limitations, exclusions and disclaimers shall apply to the maximum extent permitted by applicable law, even if any remedy fails of its essential purpose.

8.3 Trademarks

Notice: All referenced brands, product names, service names and trademarks are property of their respective owners.

9. List of figures

Fig 1.	Evaluation board.....	3
Fig 2.	Pin description	4
Fig 3.	Application board circuit diagram	5
Fig 4.	Relation of I_{CC} with R_{BIAS} and V_b	6
Fig 5.	BGU8053 2500MHz evaluation board component placement.....	7
Fig 6.	PCB stack and footprint information.....	8
Fig 7.	S_{11} parameter, 1dB compression and IP3 measurement setup	10
Fig 8.	S-parameters as function of frequency.	11
Fig 9.	1dB gain compression curve.....	11
Fig 10.	Noise figure test setup	12
Fig 11.	Typical noise figure performance versus frequency.	13
Fig 12.	Typical OIP3 spectrum.....	14
Fig 13.	2 tone OIP3 measurement setup	15
Fig 14.	Power on/off settling time measurement setup.	17
Fig 15.	Power on/off settling time using the SHDN pin(6).....	18
Fig 16.	Power on/off settling time using the V_{BIAS} pin(1)	18
Fig 17.	Power on off settling time using the supply voltage.	19
Fig 18.	Customer evaluation kit.	20

10. List of tables

Table 1. BOM.....8
Table 2. Typical board performance using the BOM for non-switched applications, unless otherwise indicated.....9
Table 3. Typical power on/off settling time..... 17

11. Contents

1.	Introduction	3
2.	Product description	4
3.	Application board.....	5
3.1	Application circuit	5
3.2	PCB Layout information	6
3.2.1	PCB stack and recommended footprint.....	7
3.3	Bill of materials.....	8
4.	Typical application board results	9
4.1	Typical board performance.....	9
4.2	S_Parameter, 1dB compression, IIP3, measurement setup	10
4.3	Noise figure measurement setup	12
4.4	3 rd order intercept point, output referred.....	14
5.	BGU8053 applied in switched applications.....	16
5.1	Description	16
5.2	Measuring Power-on-off settling time	16
6.	References	19
7.	Customer Evaluation Kit.....	19
8.	Legal information	21
8.1	Definitions	21
8.2	Disclaimers.....	21
8.3	Trademarks	21
9.	List of figures.....	22
10.	List of tables	23
11.	Contents.....	24

Please be aware that important notices concerning this document and the product(s) described herein, have been included in the section 'Legal information'.

© NXP B.V. 2014.

All rights reserved.

For more information, visit: <http://www.nxp.com>

For sales office addresses, please send an email to: salesaddresses@nxp.com

Date of release: 14 January 2014

Document identifier: AN11418