

# AN11072

BGU7003 400 MHz and 900 MHz application

Rev. 2 — 9 October 2012

Application note

## Document information

Info	Content
<b>Keywords</b>	BGU7003, LNA, E-metering.
<b>Abstract</b>	This document provides circuit, layout, BOM and tested performance for 400 MHz and 900 MHz band LNA for E-metering applications based on the BGU7003.



**Revision history**

Rev	Date	Description
v.2	20121009	correct a small mistake
v.1	20111207	initial version

**Contact information**

For more information, please visit: <http://www.nxp.com>

For sales office addresses, please send an email to: [salesaddresses@nxp.com](mailto:salesaddresses@nxp.com)

## 1. Introduction

The BGU7003 is a wideband low noise amplifier in a plastic, leadless 6 pin extremely thin small outline SOT891 package. It can be used for various LNA applications up to 6 GHz such as GPS, satellite radio, cordless phone and E-metering.

The BGU7003 contains 1 RF stage and an internal bias that is temperature stabilized. It also contains an enable function to shut down the amplifier with a logic signal on the enable pin.

The BGU7003 is ideal for use where size and low power are most critical. Typical usages are mobile phones, Personal Digital Assistants (PDA), Personal Navigation Devices (PND), E-metering and remote controllers.

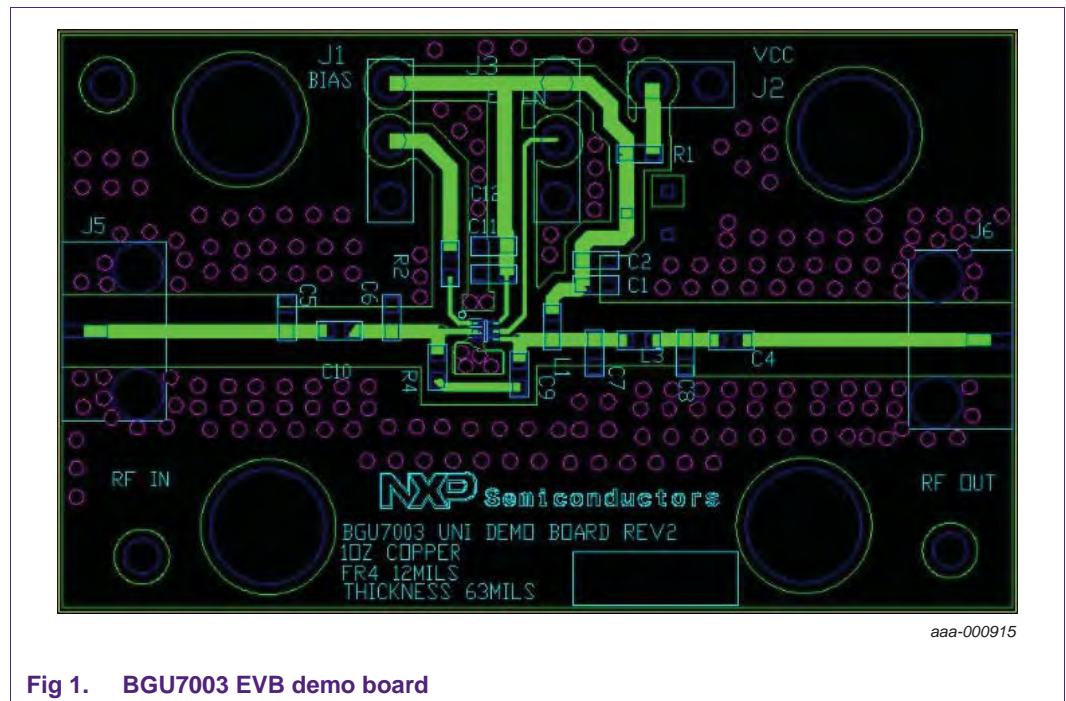


Fig 1. BGU7003 EVB demo board

## 2. General description

This universal LNA evaluation board (EVB) is optimized to evaluate the performance of the BGU7003 in an E-metering application.

This document details circuit simulations and results in Agilent ADS, and provides information on the application schematic, board layout and the bill of materials. Typical test results are also shown.

### 3. Typical design requirement of E-metering LNA

Low Noise Figure is important to improve meter reading sensitivity where blockage and fading could occur. The following is a list of typical design requirements:

- Operating frequency band: 400 MHz to 450 MHz and 900 MHz to 950 MHz
- Operating voltage: 3.3 V to 3.7 V
- Current draw: 5 mA
- Noise figure: < 1.2 dB
- Gain: > 15 dB
- In-band gain flatness: 2 dB (+/- 1 dB)
- Return loss: input > 10 dB, Output > 10 dB
- Reverse isolation: > 23 dB

### 4. Application circuit simulation

#### 4.1 BGU7003 400 MHz band LNA simulation

Assumptions:

- 50 Ω termination at source and load
- Device is modeled as a small signal s-parameter file at 2.5 V with 5 mA bias condition
- 3.7 V supply voltage

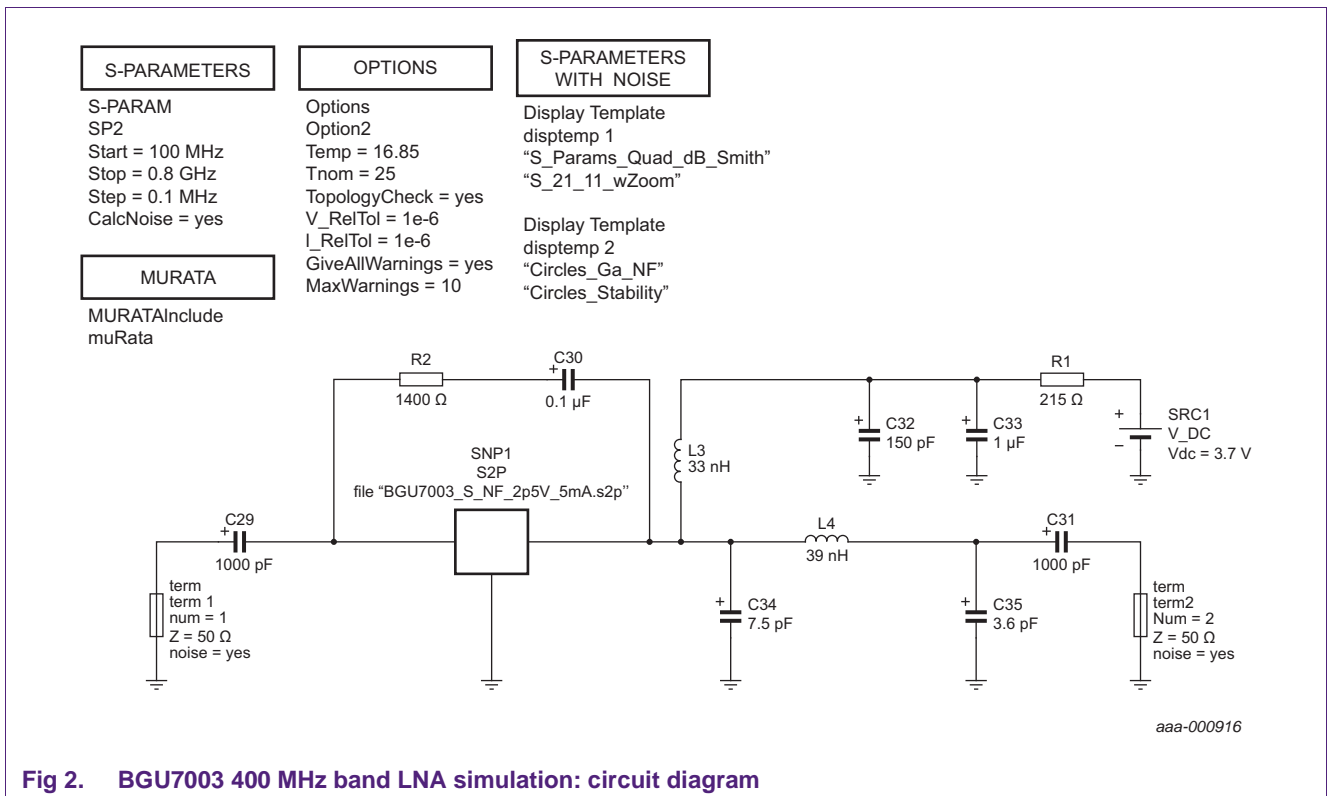
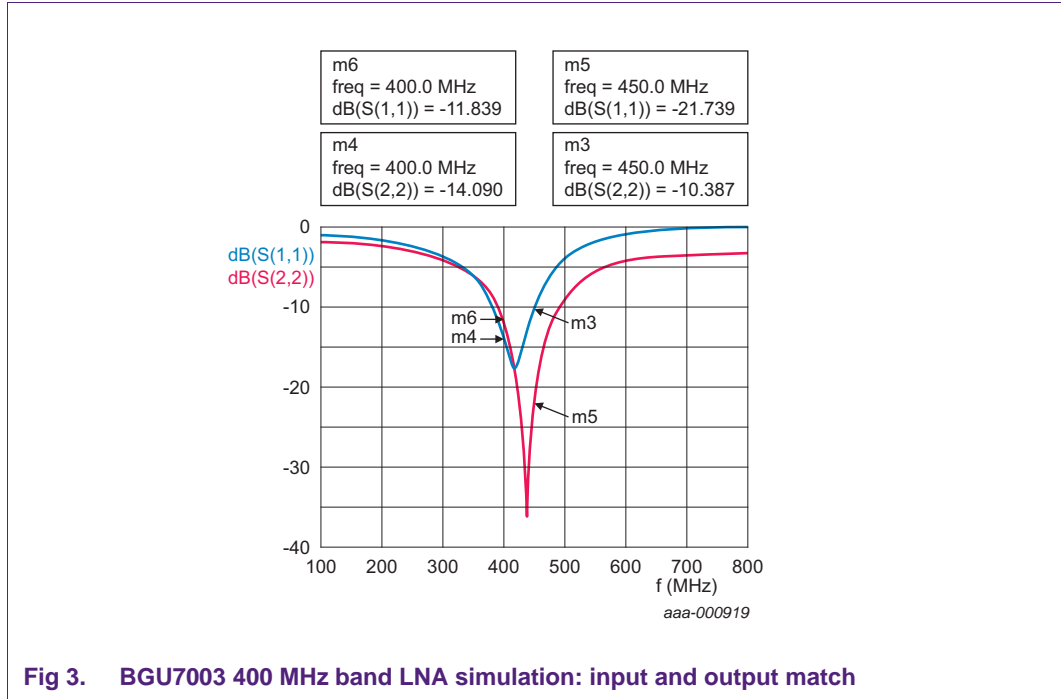


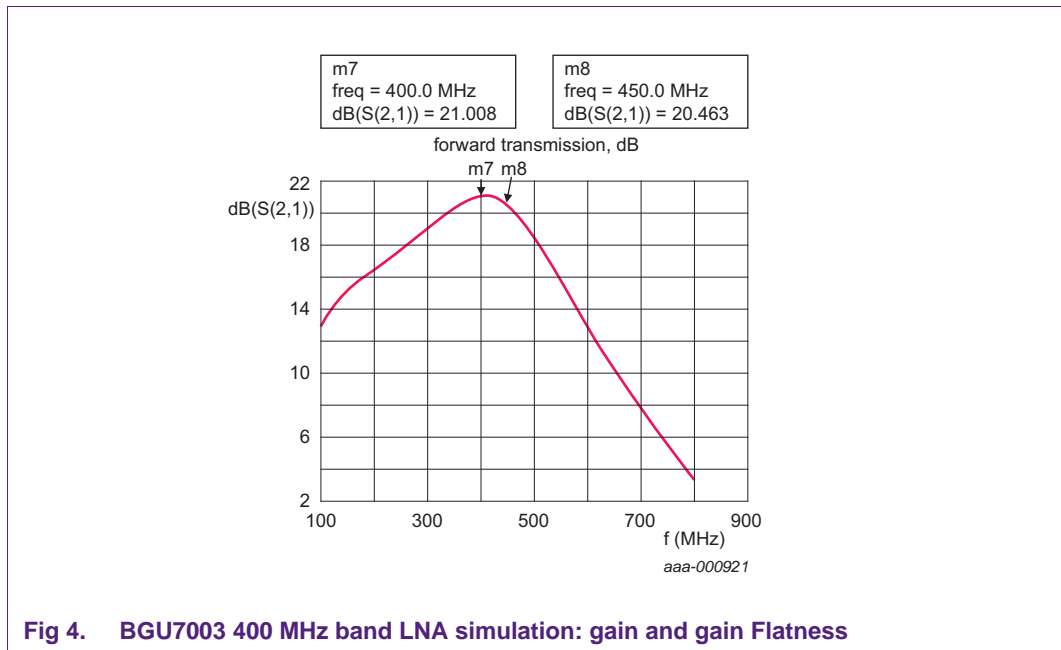
Fig 2. BGU7003 400 MHz band LNA simulation: circuit diagram

4.2 BGU7003 400 MHz band LNA simulation results

4.2.1 Input and output match in the 400 MHz Band



4.2.2 Gain and gain flatness in 400 MHz band



4.2.3 Noise figure in 400 MHz band

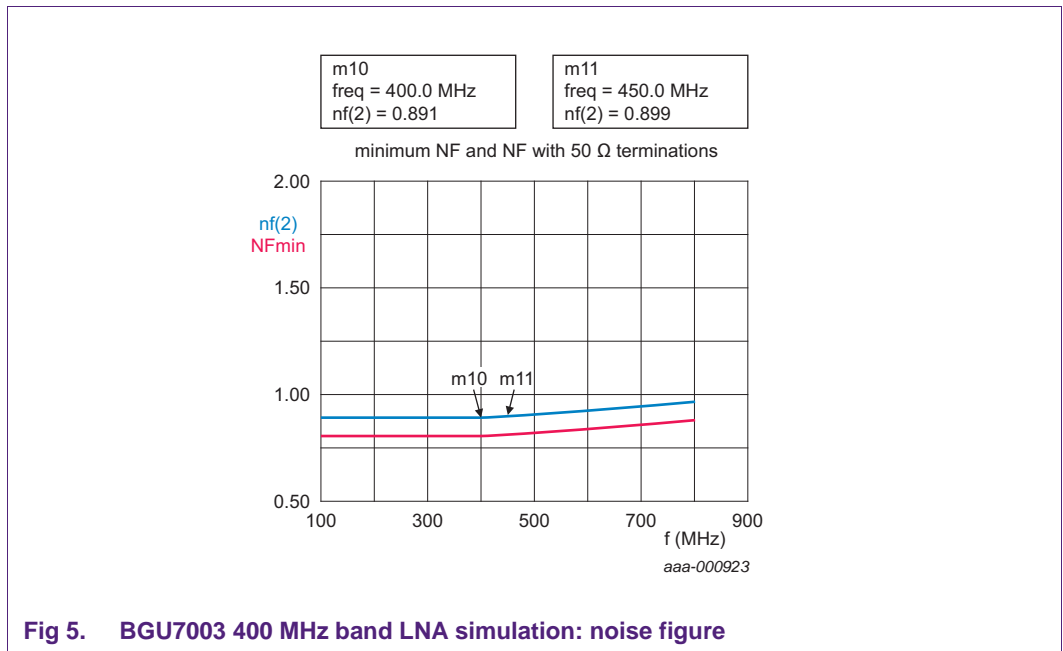


Fig 5. BGU7003 400 MHz band LNA simulation: noise figure

4.2.4 Stability

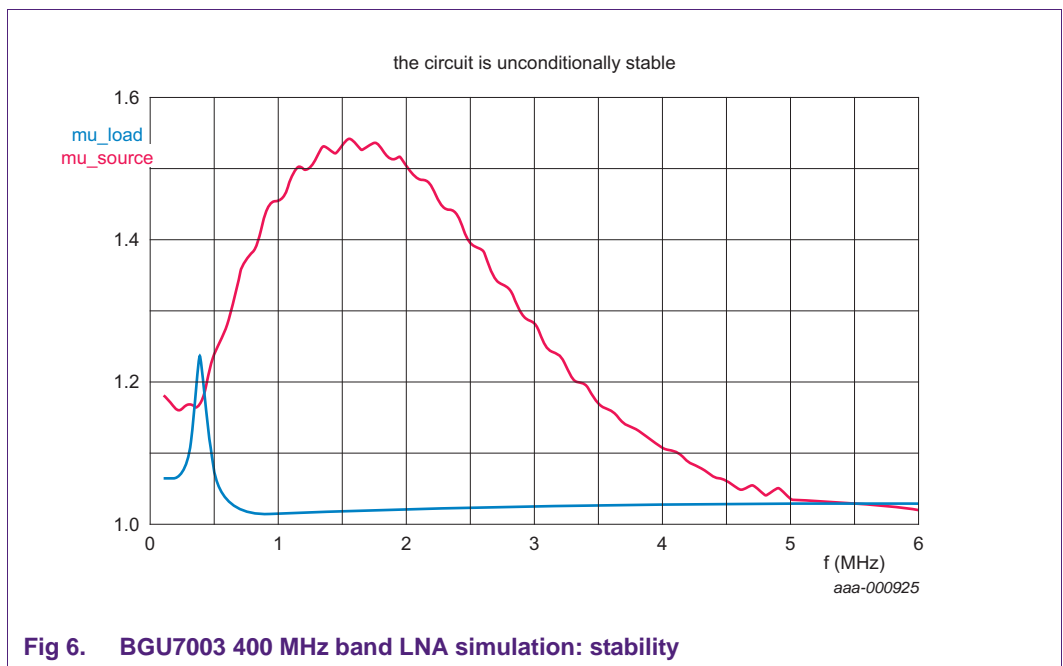


Fig 6. BGU7003 400 MHz band LNA simulation: stability

4.3 BGU7003 900 MHz band LNA simulation

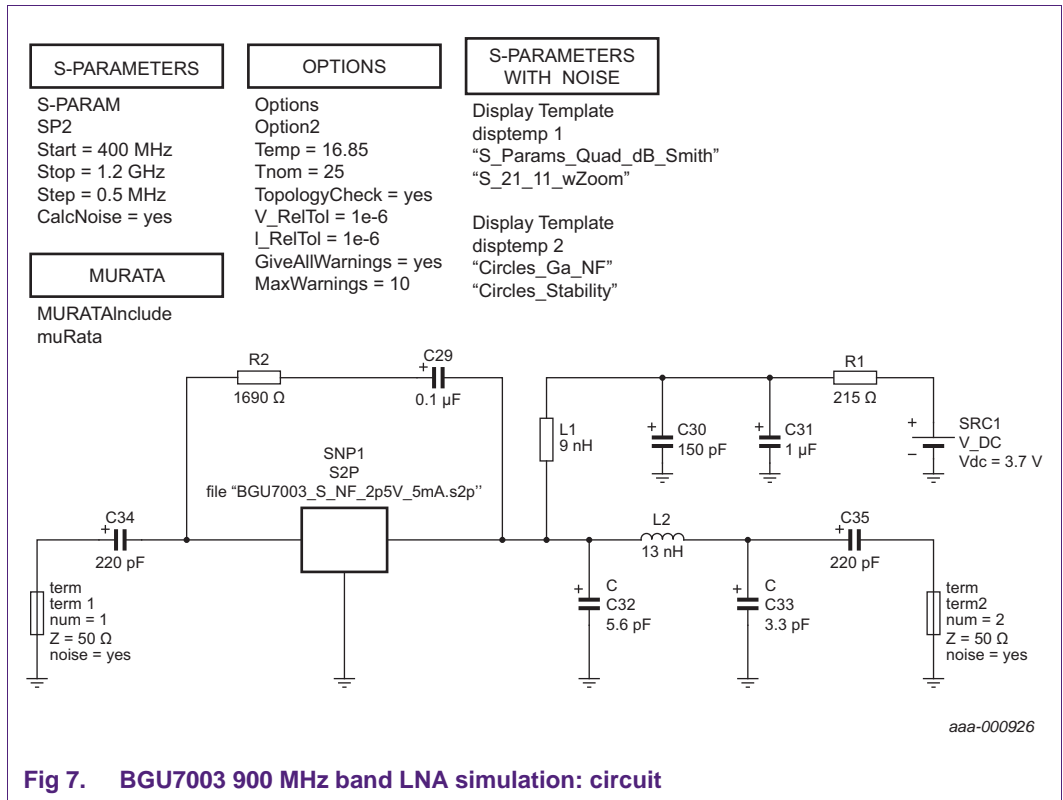


Fig 7. BGU7003 900 MHz band LNA simulation: circuit

4.4 BGU7003 900 MHz band LNA simulation results

4.4.1 Input and output match in the 900 MHz Band

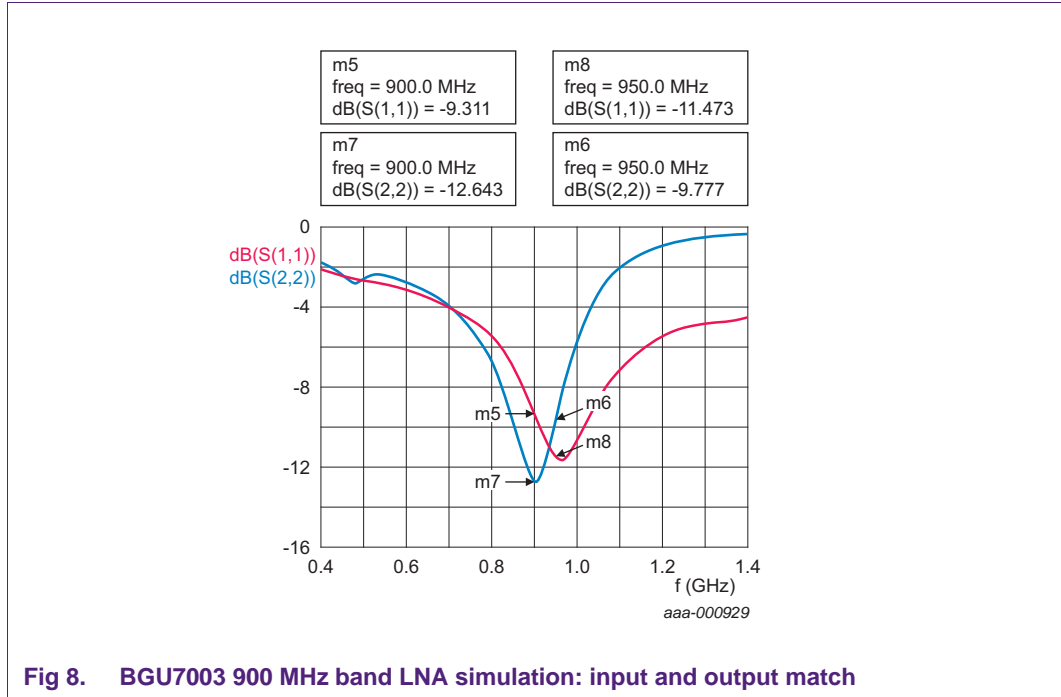


Fig 8. BGU7003 900 MHz band LNA simulation: input and output match

4.4.2 Gain and gain flatness in 900 MHz band

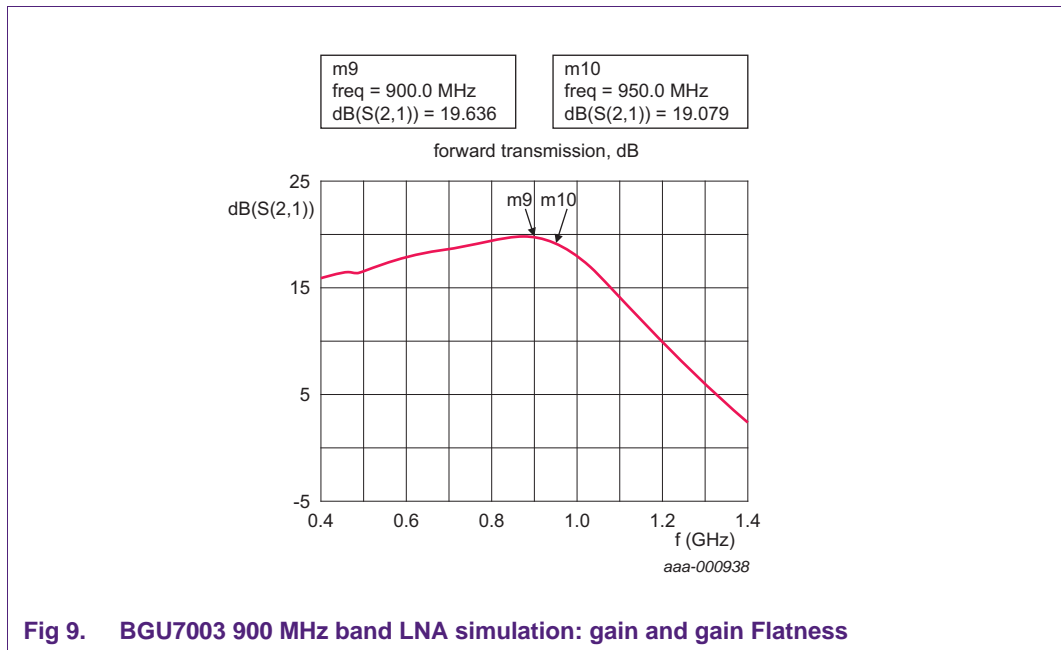


Fig 9. BGU7003 900 MHz band LNA simulation: gain and gain Flatness



4.4.3 Noise figure in 900 MHz band

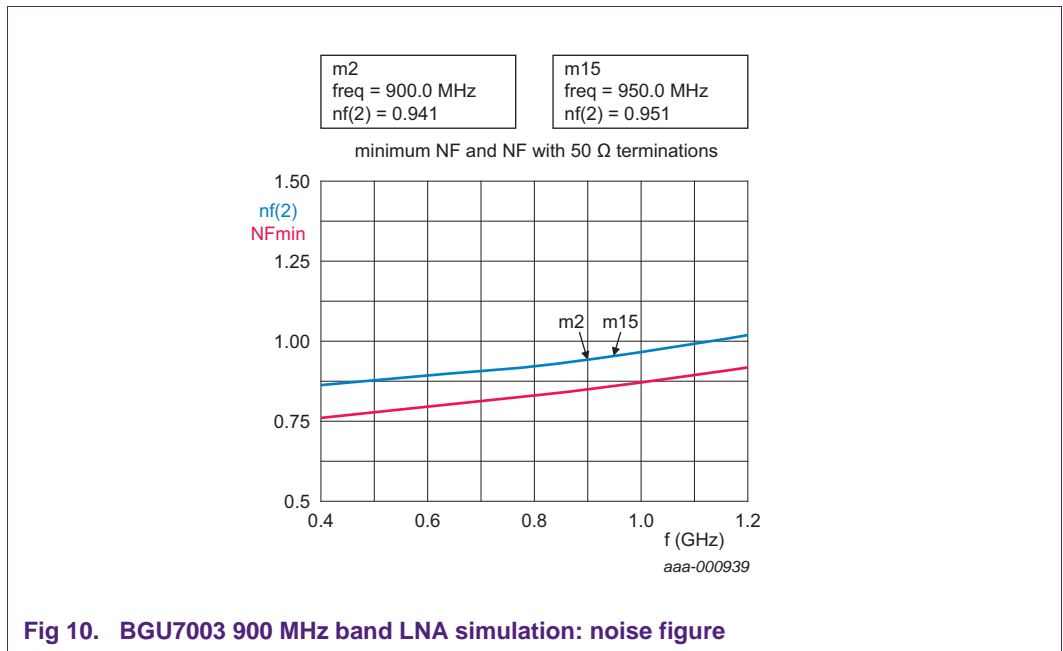


Fig 10. BGU7003 900 MHz band LNA simulation: noise figure

4.4.4 Stability

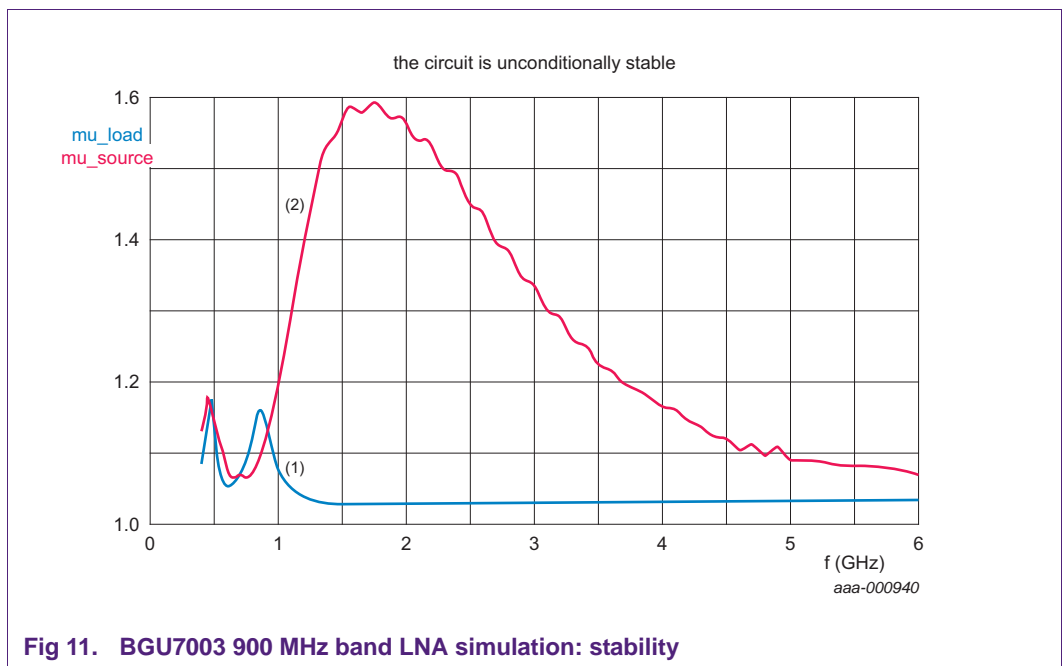


Fig 11. BGU7003 900 MHz band LNA simulation: stability

## 5. Application boards

The BGU7003 400 MHz and 900 MHz band LNA evaluation board simplifies the evaluation of the BGU7003 in the E-metering application area. The evaluation board enables testing of the device performance and requires no additional support circuitry. The board is fully assembled with the BGU7003 IC, including input- and output matching, to optimize the performance.

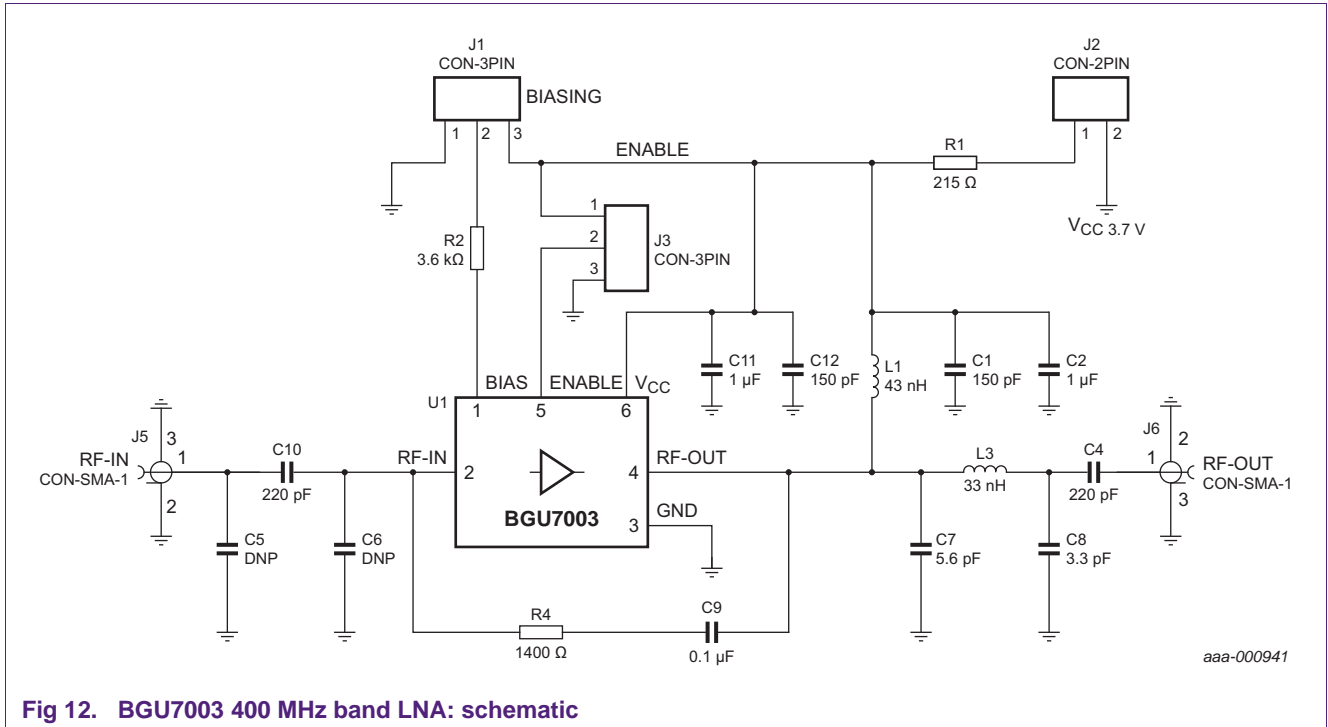
A simple feedback path is added to improve its in-band gain flatness as well as improving stability.

The board is supplied with two SMA connectors for input and output connection to RF test equipment.

The BGU7003 is designed to operate at 2.5 V with optimal performance, and not to exceed 2.85 V. When it is used with varying supply voltages (3.3 V to 3.7 V for E-metering), the enable function is not used and LNA is always on. An enable pin jumper is installed, which avoids the voltage on the VCC, VEN and RF output pin exceeding 2.85 V.

In this application, the supply voltage is set to 3.7 V which is reduced to 2.5 V by a 215 Ω voltage dropping resistor.

### 5.1 Application circuit schematic (400 MHz band)



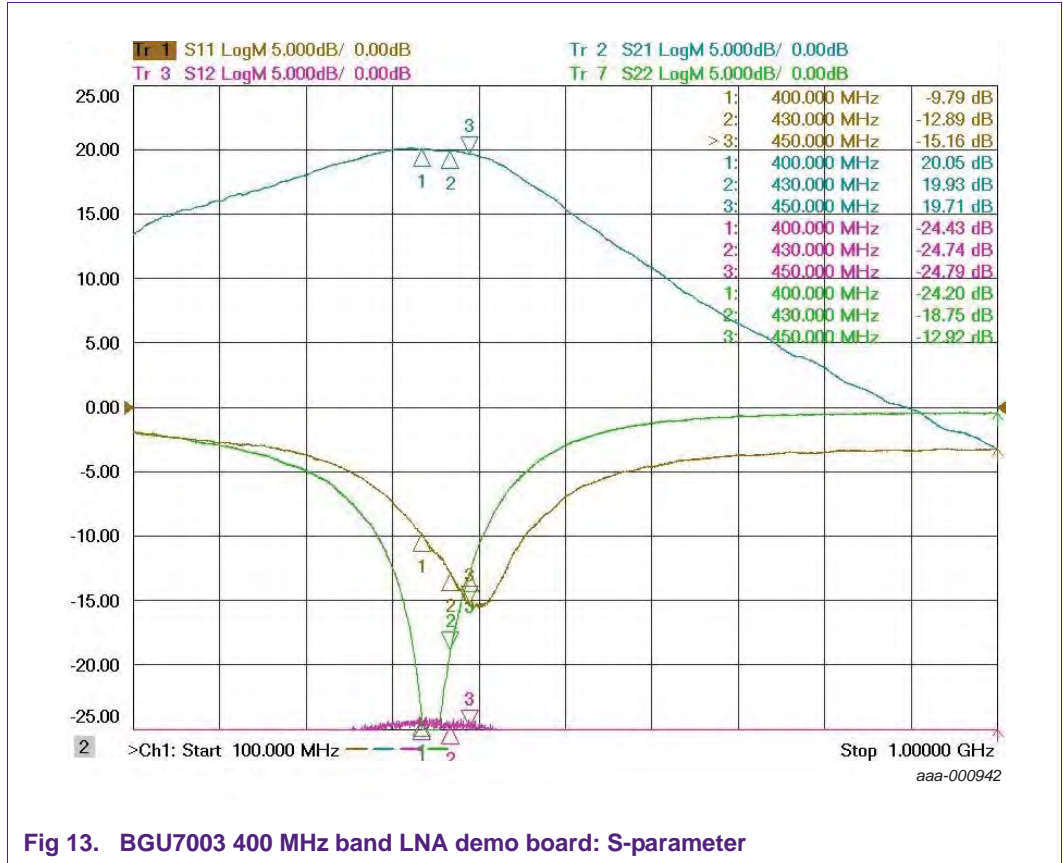
## 5.2 Application board Bill Of Materials BOM (400 MHz band)

Table 1. BGU7003 400 MHz band LNA EVB parts List

Item	Quantity	Part reference	Part number	Vendor	Value
1	2	C1	GRM1555C1H151JA01	Murata	150 pF
		C12	GRM1555C1H151JA01	Murata	150 pF
2	2	C2	GRM155F50J105ZE01	Murata	1 $\mu$ F
		C11	GRM155F50J105ZE01	Murata	1 $\mu$ F
3	2	C4	GRM1555C1H221JA01	Murata	220 pF
		C10	GRM1555C1H221JA01	Murata	220 pF
4	2	C5	<td>	Murata	DNP
		C6	<td>	Murata	DNP
5	1	C7	GRM1555C1H5R6DZ01	Murata	5.6 pF
6	1	C8	GRM1555C1H3R3CZ01D	Murata	3.3 pF
7	1	C9	GRM155R71C104KA88	Murata	0.1 $\mu$ F
8	2	J1	90120-0763	Molex	CON-3PIN
		J3	90120-0763	Molex	CON-3PIN
9	1	J2	90120-0762	Molex	CON-2PIN
10	2	J5	901-10110	Amphenol	CON-SMA-1
		J6	901-10110	Amphenol	CON-SMA-1
11	1	L1	0603CS-43NX_L	Coilcraft	43 nH
12	1	L3	LQW15AN33NJ00D	Murata	33 nH
13	1	R1	ERJ-2RKF2150X	Panasonic - ECG	215 $\Omega$
14	1	R2	ERJ-2RKF3901X	Panasonic - ECG	3.9 k $\Omega$
15	1	R4	ERJ-2RKF1401X	Panasonic - ECG	1400
16	1	U1	BGU7003	NXP	BGU7003

5.3 Typical application board test result (400 MHz band)

5.3.1 S-parameter gain and match



5.3.2 P1dB

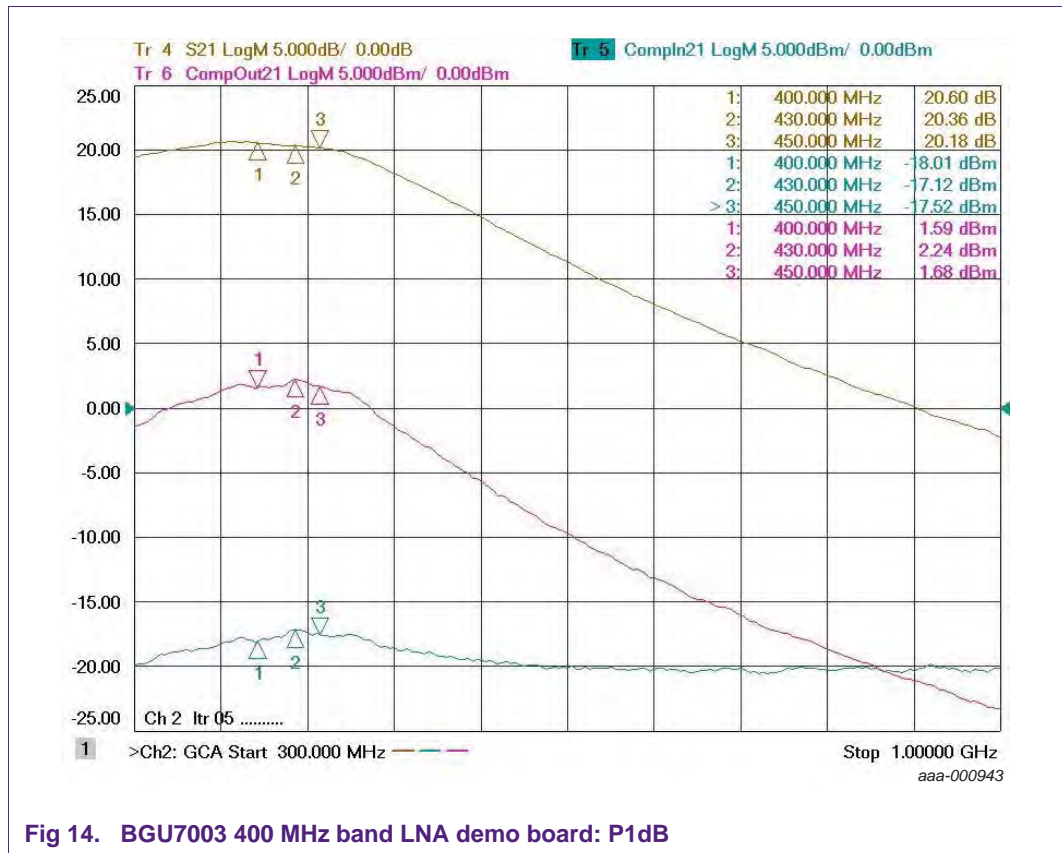
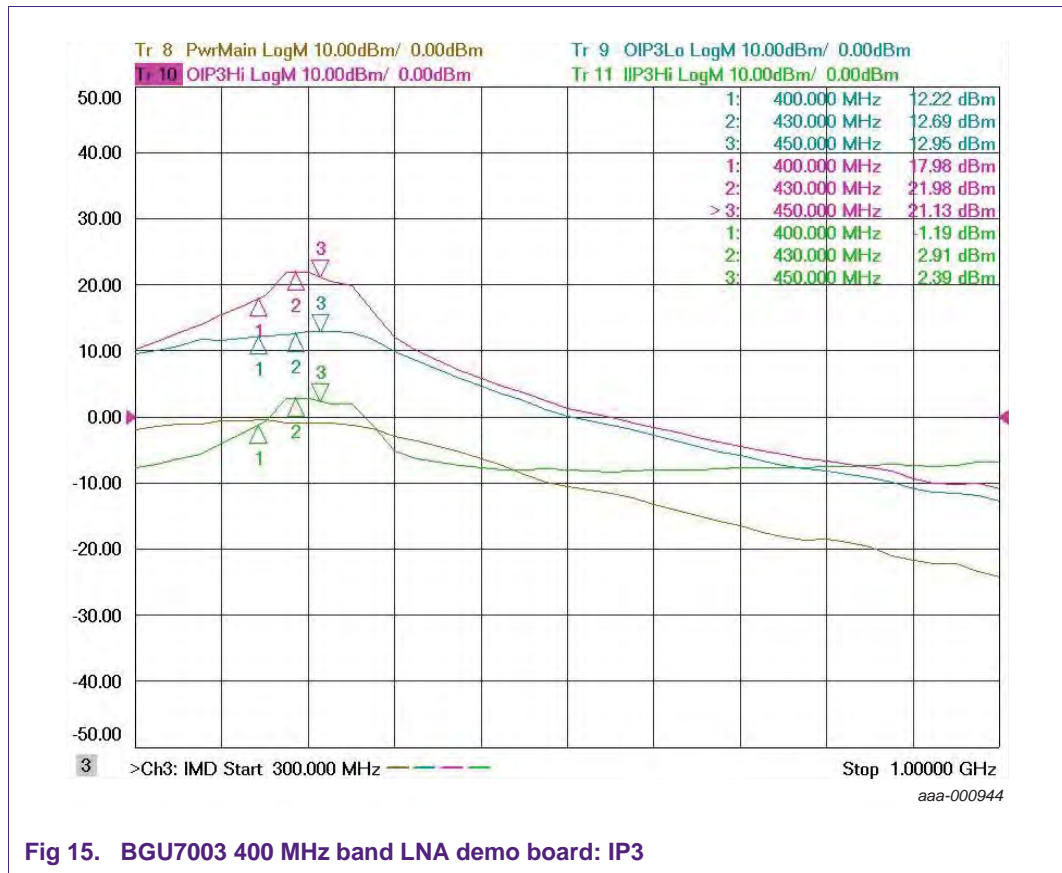


Fig 14. BGU7003 400 MHz band LNA demo board: P1dB

5.3.3 Linearity/IP3



5.3.4 Stability



5.3.5 Noise figure measurement

A 6 dB pad is inserted between the noise source and RF input to improve the NF measurement accuracy.

A 0.1 dB loss from connector to package pin is de-embedded at both input and output.

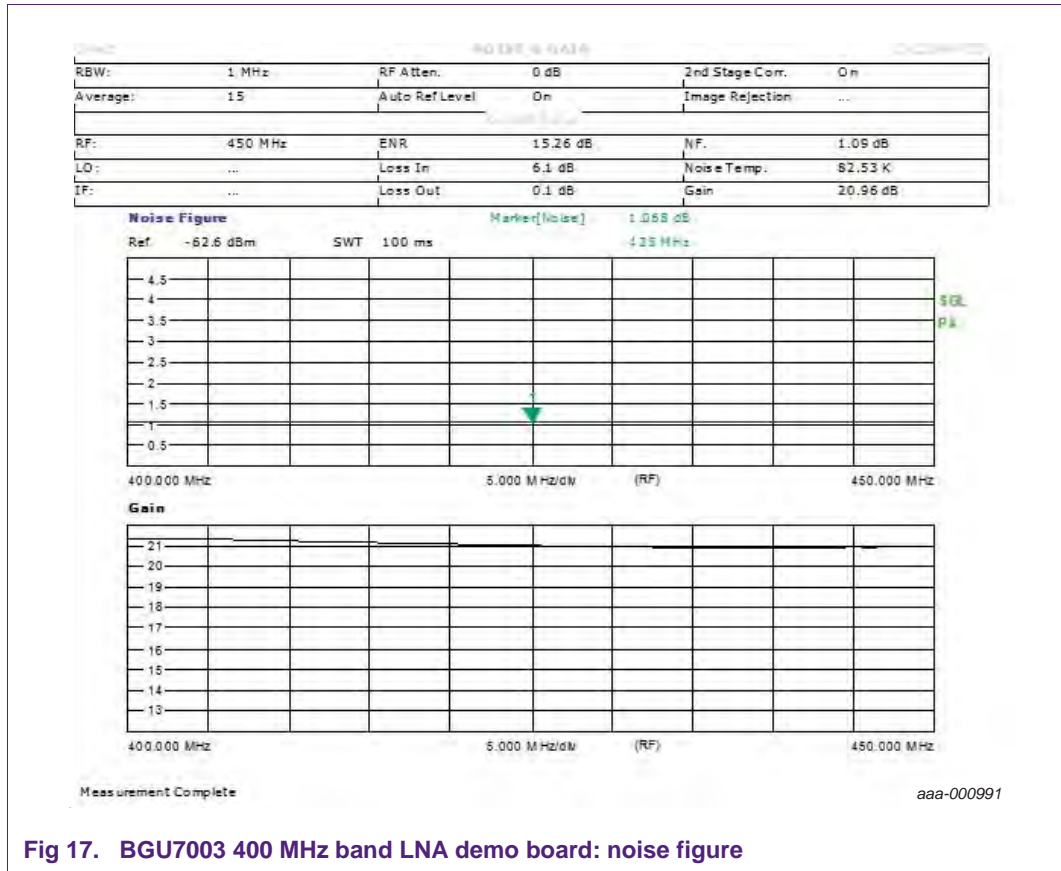


Fig 17. BGU7003 400 MHz band LNA demo board: noise figure



5.3.6 Summary of typical evaluation board test results

**Table 2. Typical results measured on the 400 MHz band evaluation board**  
 Operating frequency 400 MHz to 450 MHz, testing at 425 MHz unless otherwise specified,  
 Temp = 25 °C

Symbol	Description	Conditions	Value	Unit
V <sub>CC</sub>	supply voltage	-	3.7	V
I <sub>CC</sub>	supply current	-	5	mA
NF	noise figure	-	1.06	dB
G <sub>p</sub>	power gain	400 MHz	20.06	dB
		425 MHz	19.93	dB
		450 MHz	19.70	dB
ΔG <sub>p</sub>	power gain variation	-	0.35	dB
RL <sub>in</sub>	input return loss	-	12.89	dB
RL <sub>out</sub>	output return loss	-	18.75	dB
α <sub>isol(r)</sub>	reverse isolation	-	24.70	dB
P <sub>i(1dB)</sub>	input power at 1 dB gain compression	-	-17.12	dBm
P <sub>L(1dB)</sub>	output power at 1 dB gain compression	-	2.24	dBm
IP <sub>3i</sub>	input third-order intercept point	-	2.91	dBm
IP <sub>3o</sub>	output third-order intercept point	-	21.98	dBm
K	Rollett stability factor	0 to 26 GHz	>1	-

5.4 Application circuit schematic (900 MHz band)

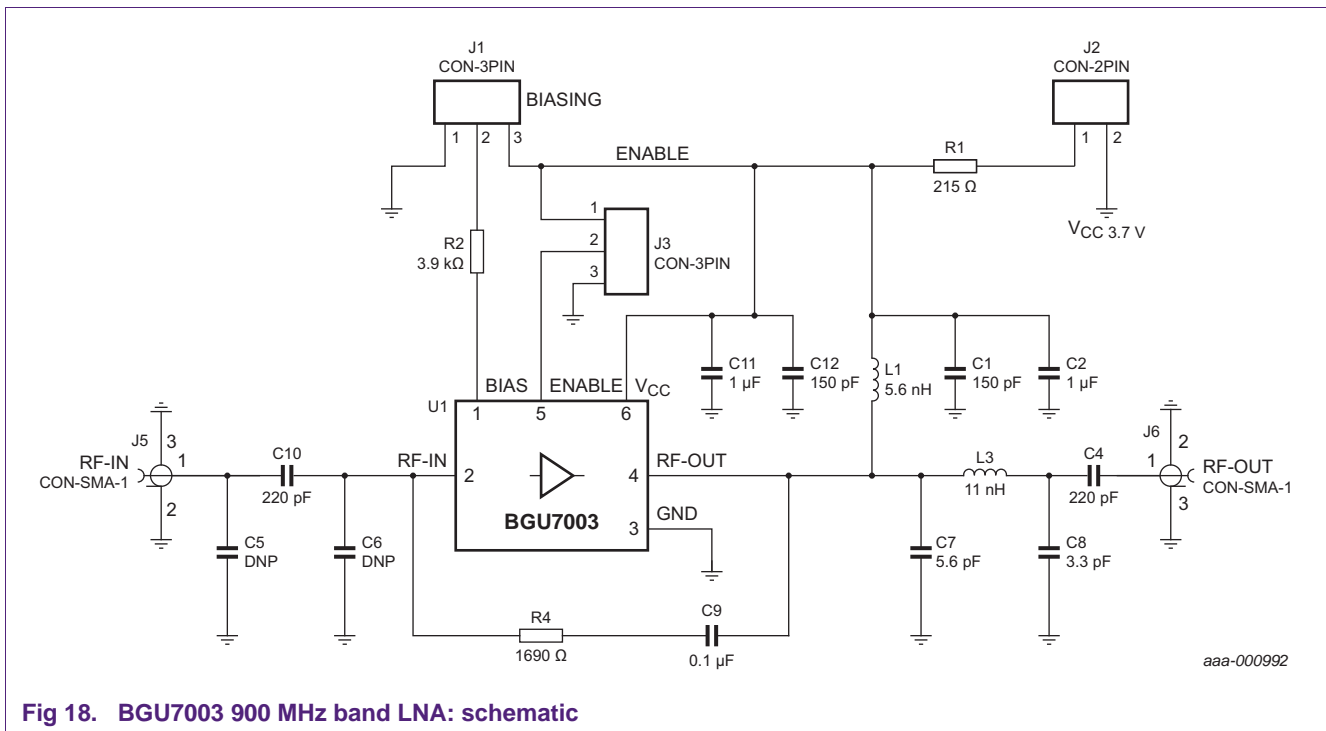


Fig 18. BGU7003 900 MHz band LNA: schematic

5.5 Application board Bill Of Materials BOM (900 MHz band)

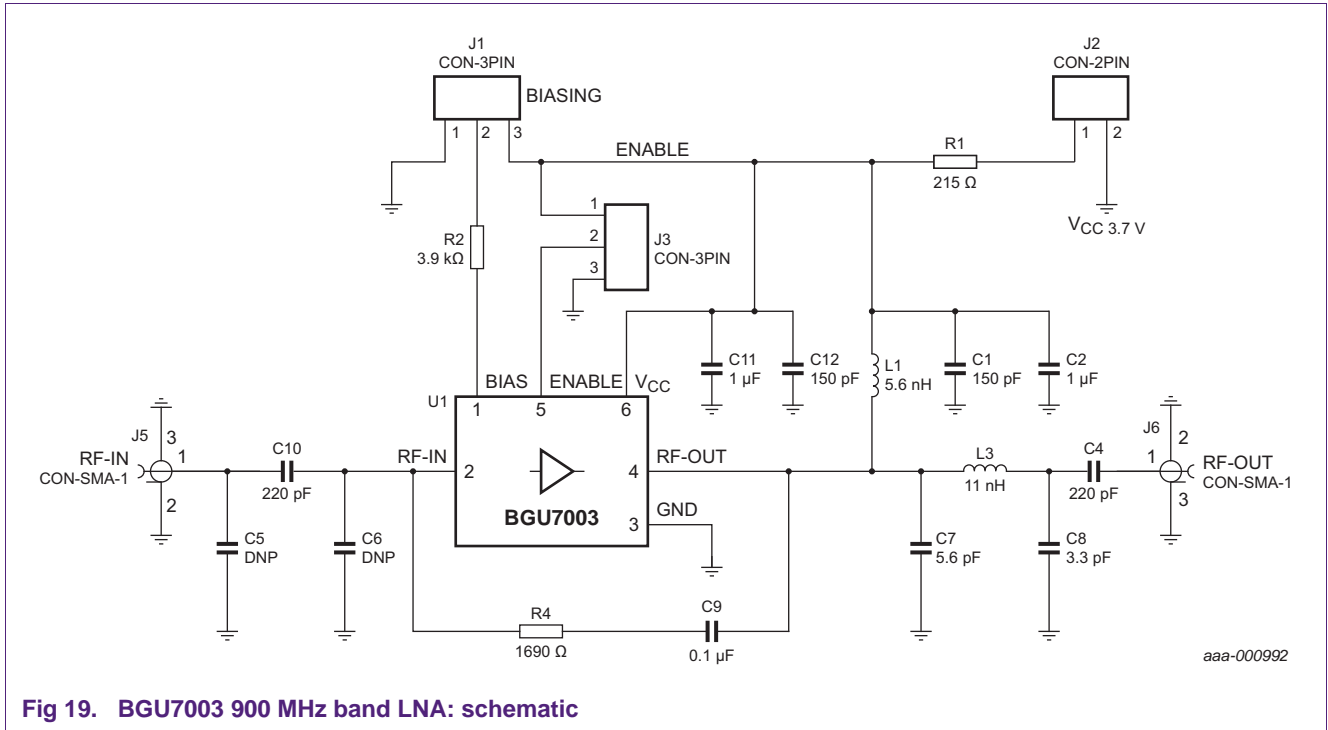


Fig 19. BGU7003 900 MHz band LNA: schematic

Table 3. BGU7003 900 MHz band LNA EVB parts List

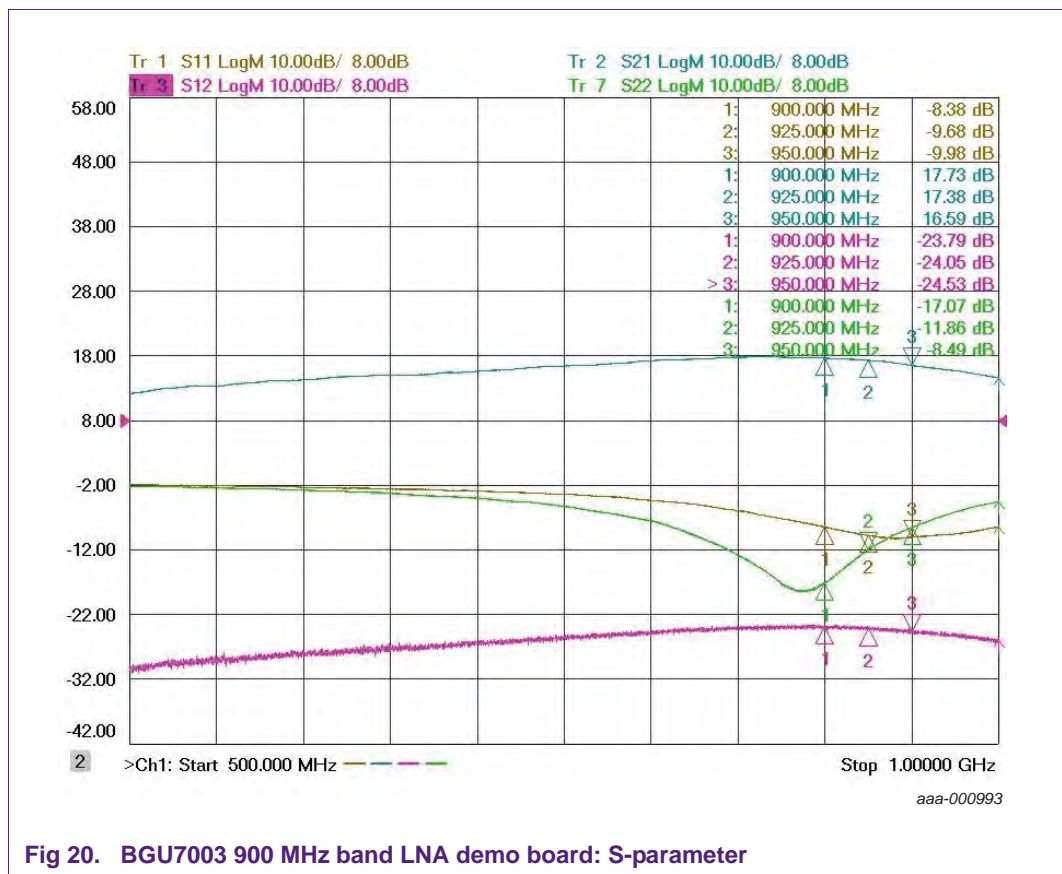
Item	Quantity	Part reference	Part number	Vendor	Value
1	2	C1	GRM1555C1H151JA01	Murata	150 pF
		C12	GRM1555C1H151JA01	Murata	150 pF
2	2	C2	GRM155F50J105ZE01	Murata	1 μF
		C11	GRM155F50J105ZE01	Murata	1 μF
3	2	C4	GRM1555C1H221JA01	Murata	220 pF
		C10	GRM1555C1H221JA01	Murata	220 pF
4	2	C5	<td>	Murata	DNP
		C6	<td>	Murata	DNP
5	1	C7	GRM1555C1H5R6DZ01	Murata	5.6 pF
6	1	C8	GRM1555C1H3R3CZ01D	Murata	3.3 pF
7	1	C9	GRM155R71C104KA88	Murata	0.1 μF
8	2	J1	90120-0763	Molex	CON-3PIN
		J3	90120-0763	Molex	CON-3PIN
9	1	J2	90120-0762	Molex	CON-2PIN
10	2	J5	901-10110	Amphenol	CON-SMA-1
		J6	901-10110	Amphenol	CON-SMA-1
11	1	L1	0603CS-5N6X_L	Coilcraft	5.6 nH
12	1	L3	0603CS-11NX_L	Coilcraft	11 nH
13	1	R1	ERJ-2RKF2150X	Panasonic - ECG	215 Ω

Table 3. BGU7003 900 MHz band LNA EVB parts List ...continued

Item	Quantity	Part reference	Part number	Vendor	Value
14	1	R2	ERJ-2RKF3901X	Panasonic - ECG	3.9 kΩ
15	1	R4	ERJ-2RKF1691X	Panasonic - ECG	1690
16	1	U1	BGU7003	NXP	BGU7003

5.6 Typical application board test result (900 MHz band)

5.6.1 S-parameter gain and match



5.6.2 P1dB

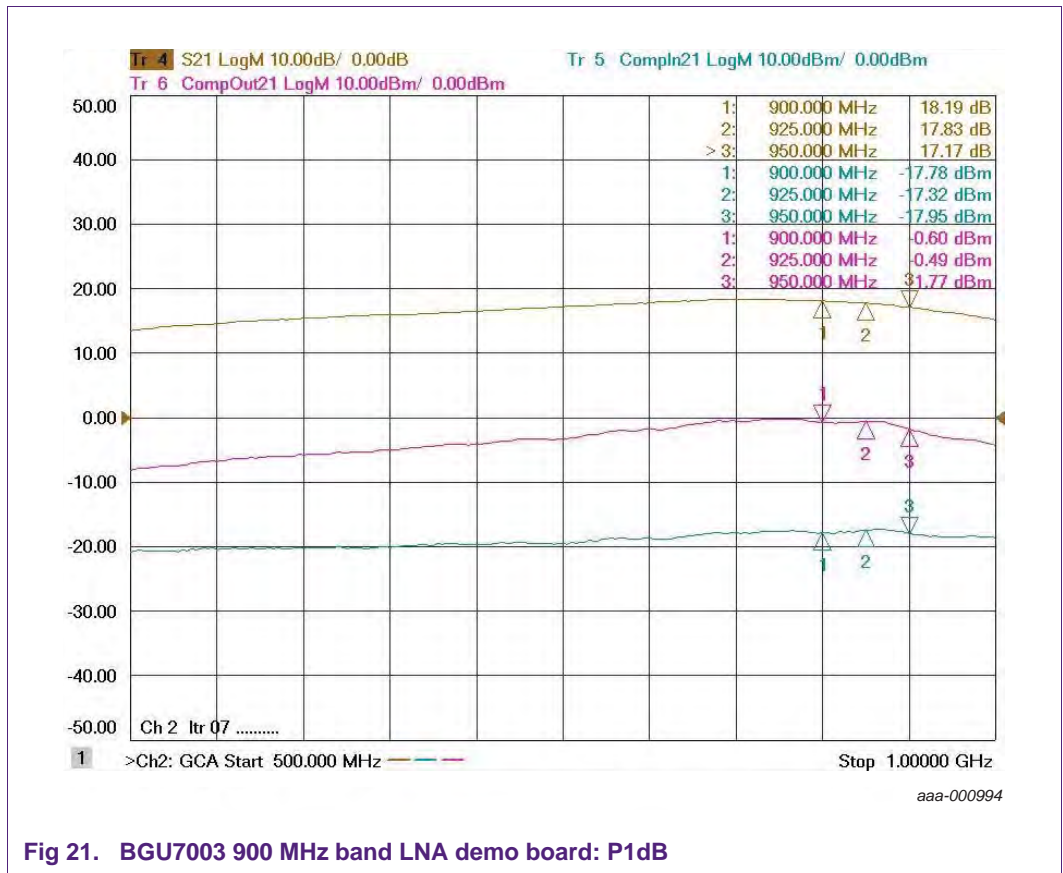


Fig 21. BGU7003 900 MHz band LNA demo board: P1dB

5.6.3 Linearity/IP3

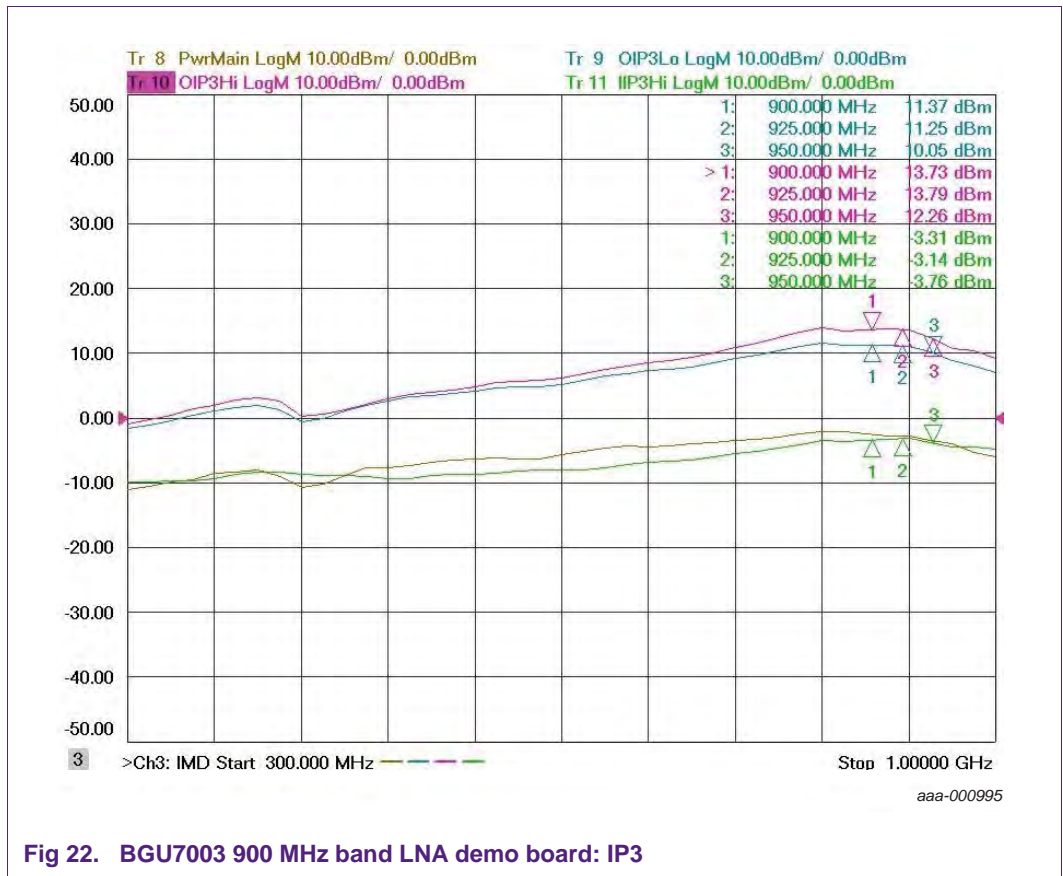


Fig 22. BGU7003 900 MHz band LNA demo board: IP3

5.6.4 Stability



5.6.5 Noise figure measurement

A 6 dB pad is inserted between the noise source and RF input to improve the NF measurement accuracy.

A 0.1 dB loss from connector to package pin is de-embedded at both input and output.

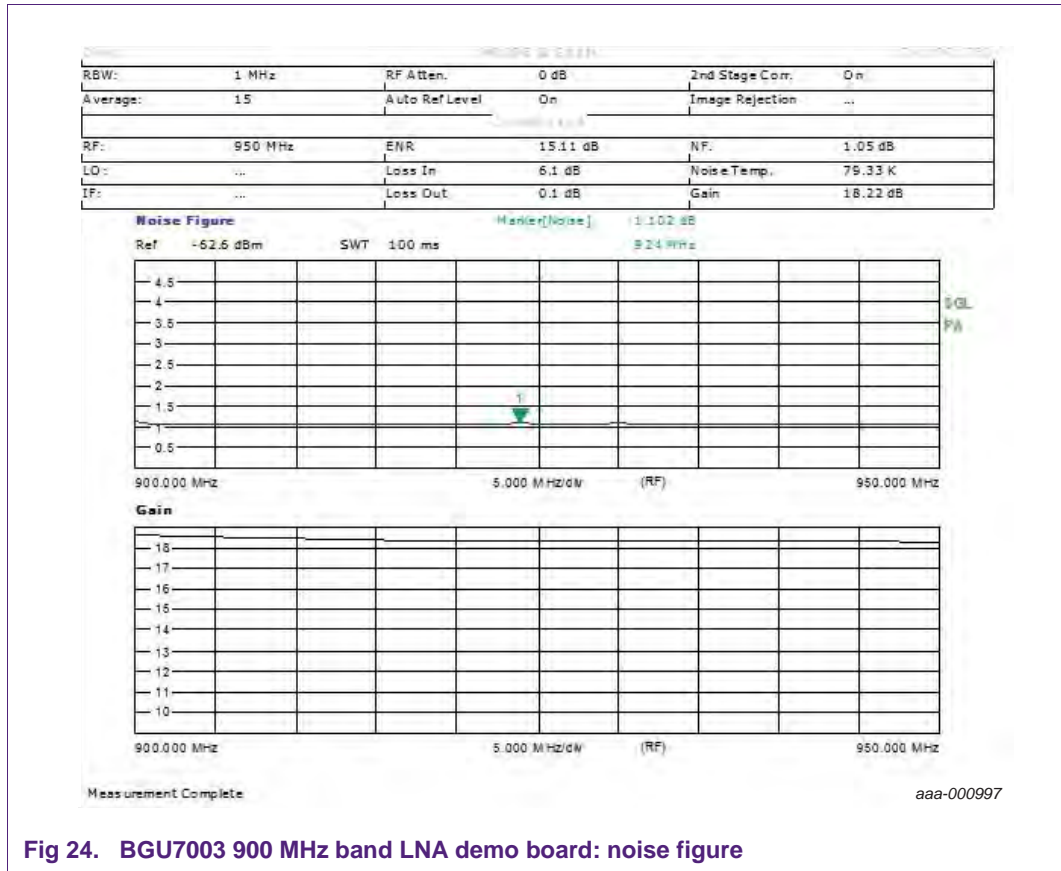


Fig 24. BGU7003 900 MHz band LNA demo board: noise figure

5.6.6 Summary of typical evaluation board test results

Table 4. Typical results measured on the 900 MHz band evaluation board  
 Operating frequency 900 MHz to 950 MHz, testing at 925 MHz unless otherwise specified,  
 Temp = 25 °C

Symbol	Description	Conditions	Value	Unit
V <sub>CC</sub>	supply voltage	-	3.7	V
I <sub>CC</sub>	supply current	-	5	mA
NF	noise factor	-	1.10	dB
G <sub>p</sub>	power gain	900 MHz	17.73	dB
		925 MHz	17.38	dB
		950 MHz	16.59	dB
ΔG <sub>p</sub>	power gain variation	-	1.14	dB
RL <sub>in</sub>	input return loss	-	9.68	dB
RL <sub>out</sub>	output return loss	-	11.86	dB
α <sub>isol(r)</sub>	reverse isolation	-	21.05	dB
P <sub>i(1dB)</sub>	input power at 1 dB gain compression	-	-17.32	dBm
P <sub>L(1dB)</sub>	output power at 1 dB gain compression	-	-0.49	dBm
IP3 <sub>I</sub>	input third-order intercept point	-	-3.14	dBm
IP3 <sub>O</sub>	output third-order intercept point	-	13.79	dBm
K	Rollett stability factor	0 to 26 GHz	>1	-

## 6. Legal information

### 6.1 Definitions

**Draft** — The document is a draft version only. The content is still under internal review and subject to formal approval, which may result in modifications or additions. NXP Semiconductors does not give any representations or warranties as to the accuracy or completeness of information included herein and shall have no liability for the consequences of use of such information.

### 6.2 Disclaimers

**Limited warranty and liability** — Information in this document is believed to be accurate and reliable. However, NXP Semiconductors does not give any representations or warranties, expressed or implied, as to the accuracy or completeness of such information and shall have no liability for the consequences of use of such information.

In no event shall NXP Semiconductors be liable for any indirect, incidental, punitive, special or consequential damages (including - without limitation - lost profits, lost savings, business interruption, costs related to the removal or replacement of any products or rework charges) whether or not such damages are based on tort (including negligence), warranty, breach of contract or any other legal theory.

Notwithstanding any damages that customer might incur for any reason whatsoever, NXP Semiconductors' aggregate and cumulative liability towards customer for the products described herein shall be limited in accordance with the *Terms and conditions of commercial sale* of NXP Semiconductors.

**Right to make changes** — NXP Semiconductors reserves the right to make changes to information published in this document, including without limitation specifications and product descriptions, at any time and without notice. This document supersedes and replaces all information supplied prior to the publication hereof.

**Suitability for use** — NXP Semiconductors products are not designed, authorized or warranted to be suitable for use in medical, military, aircraft, space or life support equipment, nor in applications where failure or malfunction of an NXP Semiconductors product can reasonably be expected to result in personal injury, death or severe property or environmental damage. NXP Semiconductors accepts no liability for inclusion and/or use of NXP Semiconductors products in such equipment or applications and therefore such inclusion and/or use is at the customer's own risk.

**Applications** — Applications that are described herein for any of these products are for illustrative purposes only. NXP Semiconductors makes no representation or warranty that such applications will be suitable for the specified use without further testing or modification.

NXP Semiconductors does not accept any liability related to any default, damage, costs or problem which is based on a weakness or default in the customer application/use or the application/use of customer's third party customer(s) (hereinafter both referred to as "Application"). It is customer's sole responsibility to check whether the NXP Semiconductors product is suitable and fit for the Application planned. Customer has to do all necessary testing for the Application in order to avoid a default of the Application and the product. NXP Semiconductors does not accept any liability in this respect.

**Export control** — This document as well as the item(s) described herein may be subject to export control regulations. Export might require a prior authorization from national authorities.

**Evaluation products** — This product is provided on an "as is" and "with all faults" basis for evaluation purposes only. NXP Semiconductors, its affiliates and their suppliers expressly disclaim all warranties, whether express, implied or statutory, including but not limited to the implied warranties of non-infringement, merchantability and fitness for a particular purpose. The entire risk as to the quality, or arising out of the use or performance, of this product remains with customer.

In no event shall NXP Semiconductors, its affiliates or their suppliers be liable to customer for any special, indirect, consequential, punitive or incidental damages (including without limitation damages for loss of business, business interruption, loss of use, loss of data or information, and the like) arising out of the use of or inability to use the product, whether or not based on tort (including negligence), strict liability, breach of contract, breach of warranty or any other theory, even if advised of the possibility of such damages.

Notwithstanding any damages that customer might incur for any reason whatsoever (including without limitation, all damages referenced above and all direct or general damages), the entire liability of NXP Semiconductors, its affiliates and their suppliers and customer's exclusive remedy for all of the foregoing shall be limited to actual damages incurred by customer based on reasonable reliance up to the greater of the amount actually paid by customer for the product or five dollars (US\$5.00). The foregoing limitations, exclusions and disclaimers shall apply to the maximum extent permitted by applicable law, even if any remedy fails of its essential purpose.

### 6.3 Trademarks

Notice: All referenced brands, product names, service names and trademarks are the property of their respective owners.



7. Tables

Table 1. BGU7003 400 MHz band LNA EVB parts List . 11	Table 3. BGU7003 900 MHz band LNA EVB parts List 18
Table 2. Typical results measured on the 400 MHz band evaluation board . . . . .17	Table 4. Typical results measured on the 900 MHz band evaluation board . . . . . 23

8. Figures

Fig 1. BGU7003 EVB demo board. . . . .3
Fig 2. BGU7003 400 MHz band LNA simulation: circuit diagram . . . . .4
Fig 3. BGU7003 400 MHz band LNA simulation: input and output match. . . . .5
Fig 4. BGU7003 400 MHz band LNA simulation: gain and gain Flatness . . . . .5
Fig 5. BGU7003 400 MHz band LNA simulation: noise figure . . . . .6
Fig 6. BGU7003 400 MHz band LNA simulation: stability. . . . .6
Fig 7. BGU7003 900 MHz band LNA simulation: circuit . . . . .7
Fig 8. BGU7003 900 MHz band LNA simulation: input and output match. . . . .8
Fig 9. BGU7003 900 MHz band LNA simulation: gain and gain Flatness . . . . .8
Fig 10. BGU7003 900 MHz band LNA simulation: noise figure . . . . .9
Fig 11. BGU7003 900 MHz band LNA simulation: stability. . . . .9
Fig 12. BGU7003 400 MHz band LNA: schematic. . . . .10
Fig 13. BGU7003 400 MHz band LNA demo board: S-parameter. . . . .12
Fig 14. BGU7003 400 MHz band LNA demo board: P1dB . . . . .13
Fig 15. BGU7003 400 MHz band LNA demo board: IP3 . . . . .14
Fig 16. BGU7003 400 MHz band LNA demo board: stability. . . . .15
Fig 17. BGU7003 400 MHz band LNA demo board: noise figure . . . . .16
Fig 18. BGU7003 900 MHz band LNA: schematic. . . . .17
Fig 19. BGU7003 900 MHz band LNA: schematic. . . . .18
Fig 20. BGU7003 900 MHz band LNA demo board: S-parameter. . . . .19
Fig 21. BGU7003 900 MHz band LNA demo board: P1dB . . . . .20
Fig 22. BGU7003 900 MHz band LNA demo board: IP3 . . . . .21
Fig 23. BGU7003 900 MHz band LNA demo board: stability. . . . .22
Fig 24. BGU7003 900 MHz band LNA demo board: noise figure . . . . .23

## 9. Contents

<b>1</b>	<b>Introduction</b> .....	<b>3</b>	6.1	Definitions .....	24
<b>2</b>	<b>General description</b> .....	<b>3</b>	6.2	Disclaimers .....	24
<b>3</b>	<b>Typical design requirement of E-metering LNA</b> .....	<b>4</b>	6.3	Trademarks .....	24
<b>4</b>	<b>Application circuit simulation</b> .....	<b>4</b>	<b>7</b>	<b>Tables</b> .....	<b>25</b>
4.1	BGU7003 400 MHz band LNA simulation .....	4	<b>8</b>	<b>Figures</b> .....	<b>25</b>
4.2	BGU7003 400 MHz band LNA simulation results .....	5	<b>9</b>	<b>Contents</b> .....	<b>26</b>
4.2.1	Input and output match in the 400 MHz Band ..	5			
4.2.2	Gain and gain flatness in 400 MHz band .....	5			
4.2.3	Noise figure in 400 MHz band .....	6			
4.2.4	Stability .....	6			
4.3	BGU7003 900 MHz band LNA simulation .....	7			
4.4	BGU7003 900 MHz band LNA simulation results .....	8			
4.4.1	Input and output match in the 900 MHz Band ..	8			
4.4.2	Gain and gain flatness in 900 MHz band .....	8			
4.4.3	Noise figure in 900 MHz band .....	9			
4.4.4	Stability .....	9			
<b>5</b>	<b>Application boards</b> .....	<b>10</b>			
5.1	Application circuit schematic (400 MHz band) .....	10			
5.2	Application board Bill Of Materials BOM (400 MHz band) .....	11			
5.3	Typical application board test result (400 MHz band) .....	12			
5.3.1	S-parameter gain and match .....	12			
5.3.2	P1dB .....	13			
5.3.3	Linearity/IP3 .....	14			
5.3.4	Stability .....	15			
5.3.5	Noise figure measurement .....	15			
5.3.6	Summary of typical evaluation board test results .....	17			
5.4	Application circuit schematic (900 MHz band) .....	17			
5.5	Application board Bill Of Materials BOM (900 MHz band) .....	18			
5.6	Typical application board test result (900 MHz band) .....	19			
5.6.1	S-parameter gain and match .....	19			
5.6.2	P1dB .....	20			
5.6.3	Linearity/IP3 .....	21			
5.6.4	Stability .....	22			
5.6.5	Noise figure measurement .....	22			
5.6.6	Summary of typical evaluation board test results .....	23			
<b>6</b>	<b>Legal information</b> .....	<b>24</b>			

Please be aware that important notices concerning this document and the product(s) described herein, have been included in section 'Legal information'.

© NXP B.V. 2012.

All rights reserved.

For more information, please visit: <http://www.nxp.com>

For sales office addresses, please send an email to: [salesaddresses@nxp.com](mailto:salesaddresses@nxp.com)

Date of release: 9 October 2012

Document identifier: AN11072\_2