



PFC Controller

TEA19162HT

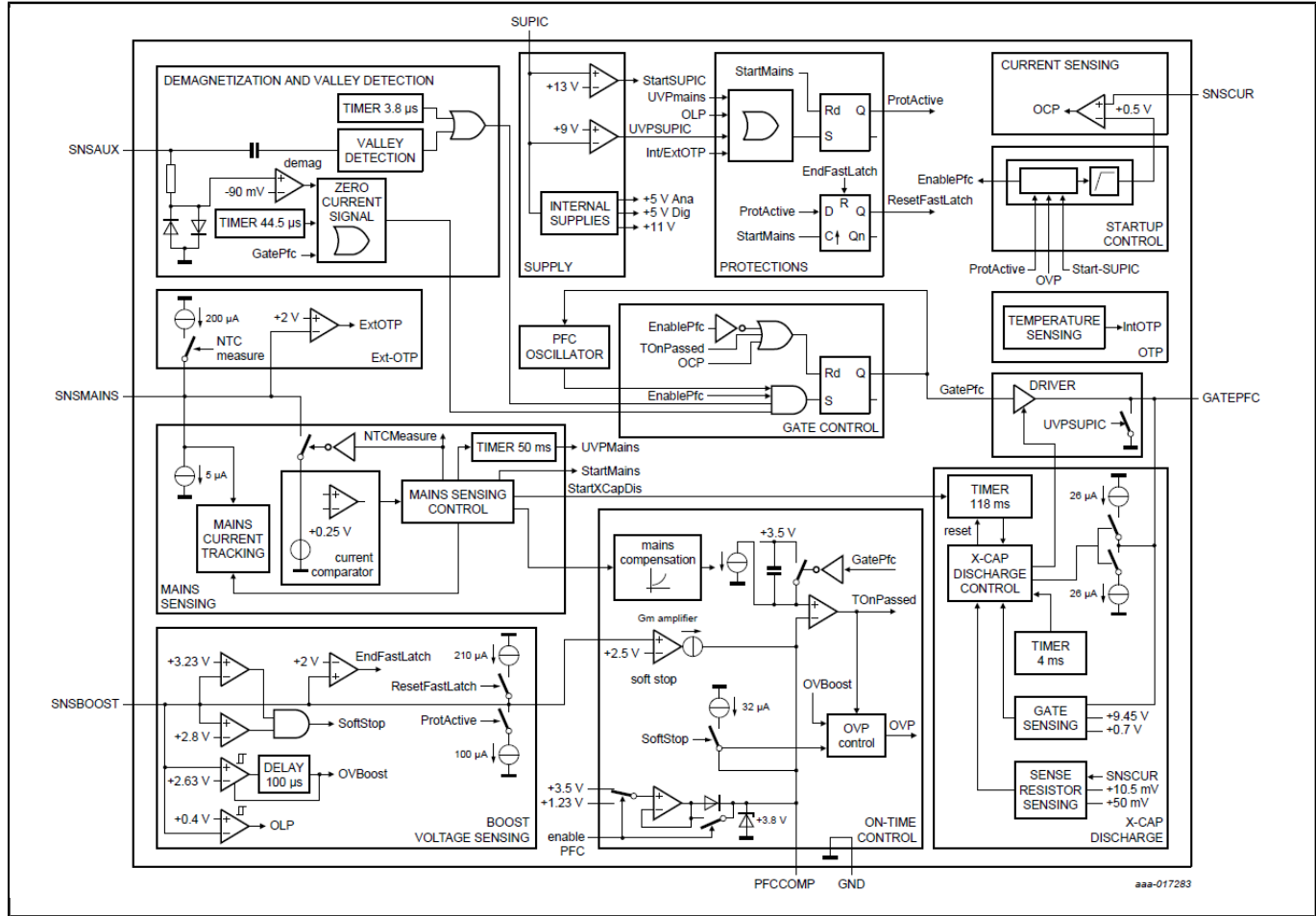
Last Updated: Jul 31, 2023

The TEA19162HT and TEA19161T are a combined controller (combo) ICs for resonant topologies including PFC. They provide high-efficiency at all power levels. Together with the TEA1995T dual LLC resonant SR controller, a cost-effective resonant power supply can be built. This power supply meets the efficiency regulations of Energy Star, the Department of Energy (DoE), the Eco-design Directive of the European Union, the European Code of Conduct, and other guidelines.

The TEA19162HT is a Power Factor Correction (PFC) controller. The IC communicates with the TEA19161T on start-up sequence and protections. It also enables a fast latch reset mechanism. To maximize the overall system efficiency, the TEA19161T allows setting the TEA19162HT PFC to burst mode at a low output power level.

The TEA19162HT/2 is recommended for applications that require high-power factor performance, like energy star 80+ gold, platinum or titanium.

TEA19162 Block diagram Block Diagram



View additional information for [PFC Controller](#).

Note: The information on this document is subject to change without notice.

www.nxp.com

NXP and the NXP logo are trademarks of NXP B.V. All other product or service names are the property of their respective owners. The related technology may be protected by any or all of patents, copyrights, designs and trade secrets. All rights reserved. © 2024 NXP B.V.