



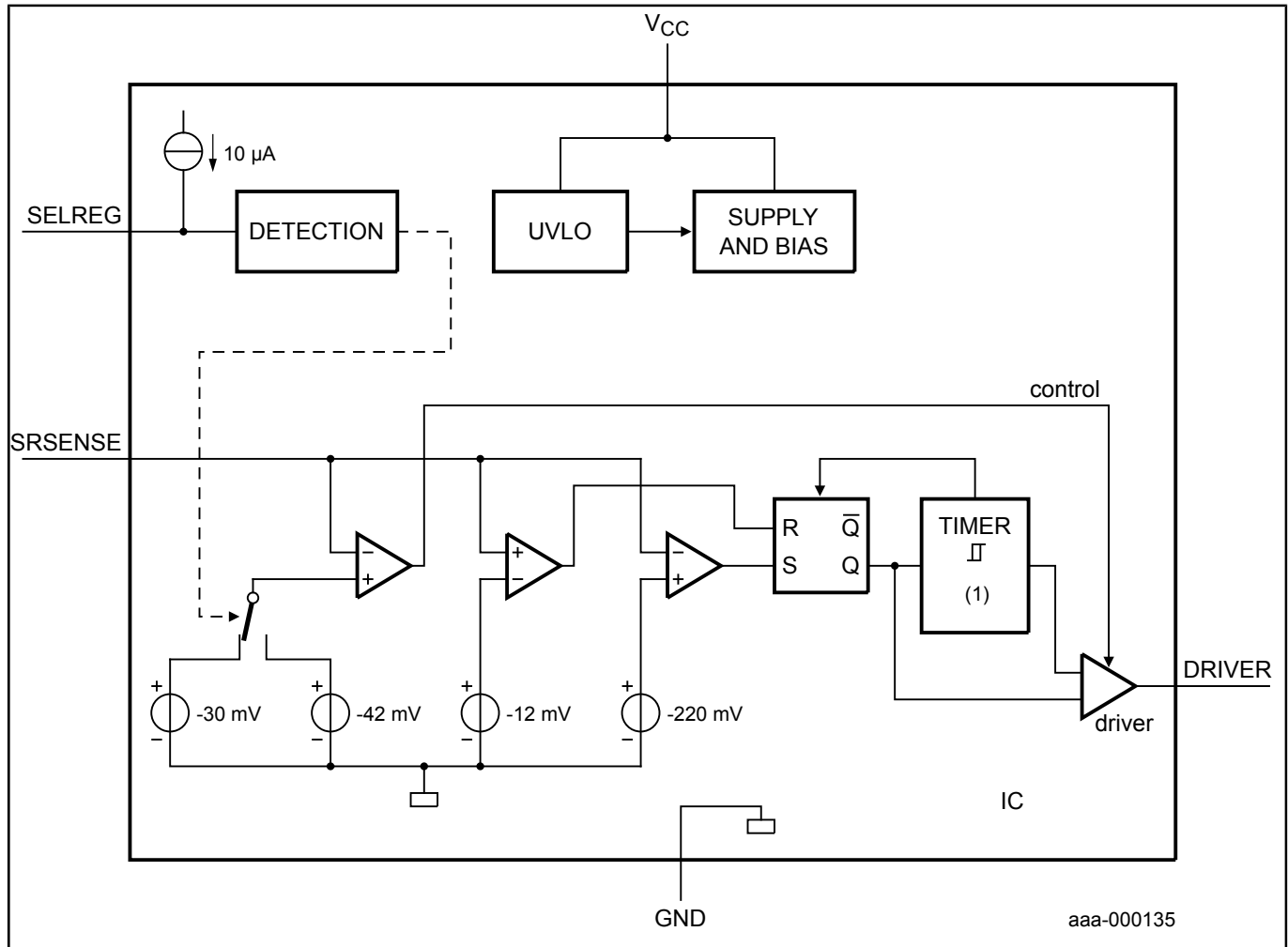
# **Synchronous Rectification Controller Suitable for Both High-Side and Low- Side Control**

**TEA179X**

Last Updated: Aug 3, 2023

Optimized for use in power adapters, this next-generation GreenChip device enables low current consumption, high system efficiency, and a reduced bill of materials.

## TEA179X Block Diagram



View additional information for [Synchronous Rectification Controller Suitable for Both High-Side and Low-Side Control](#).

**Note:** The information on this document is subject to change without notice.

[www.nxp.com](http://www.nxp.com)

NXP and the NXP logo are trademarks of NXP B.V. All other product or service names are the property of their respective owners. The related technology may be protected by any or all of patents, copyrights, designs and trade secrets. All rights reserved. © 2024 NXP B.V.