



Programmable LIN 1.3 Alternator Regulator

TC80310

アーカイブス

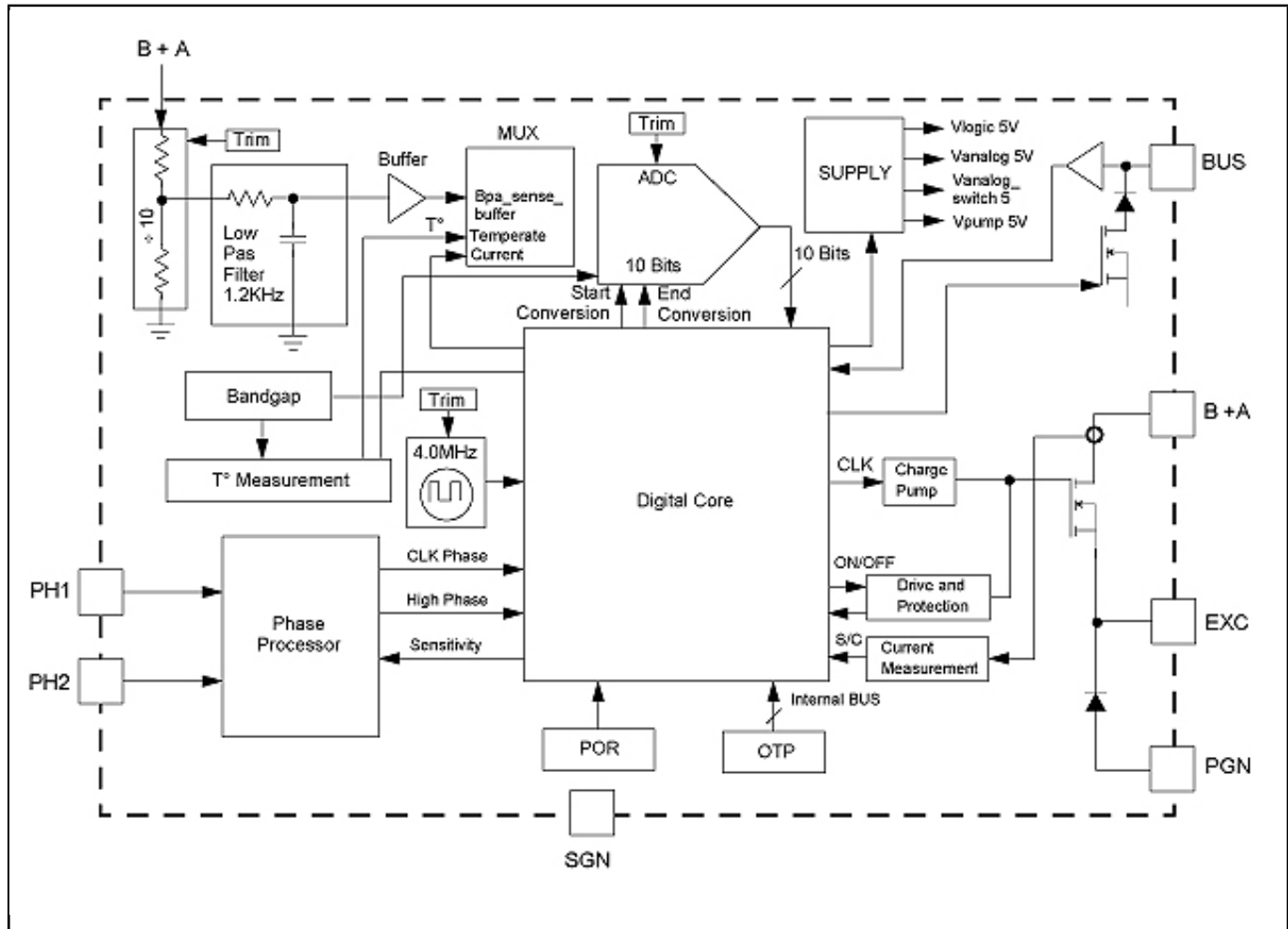
このページには、製造中止（生産終了）となった製品の情報が記載されています。本ページに記載されている仕様および情報は、過去の参考情報です。

Last Updated: Jul 21, 2023

The TC80310 is designed to provide customers a complete system-on-die solution, capable of managing the electrical parameters of an Alternator, with rotor excitation current up to 8A, using High Side Excitation technology combined with a Free Wheeling Diode. This new IC can control and diagnose the Alternator by using a standard and robust LIN 1.3 protocol. It also includes Load Response Control (LRC), Thermal Compensation combined with Thermal protection and a Self-Start operation (available in case of LIN disconnection), which are capabilities possible because of a long term NXP® background in the Alternator Regulator market.

Refer to Table 1, in the data sheet, for the factory programmed options. Contact sales for samples and ordering criteria.

TC80310 Block Diagram Block Diagram



View additional information for [Programmable LIN 1.3 Alternator Regulator](#).

Note: The information on this document is subject to change without notice.

www.nxp.com

NXP and the NXP logo are trademarks of NXP B.V. All other product or service names are the property of their respective owners. The related technology may be protected by any or all of patents, copyrights, designs and trade secrets. All rights reserved. © 2024 NXP B.V.