



QorIQ® T1023 Development Board

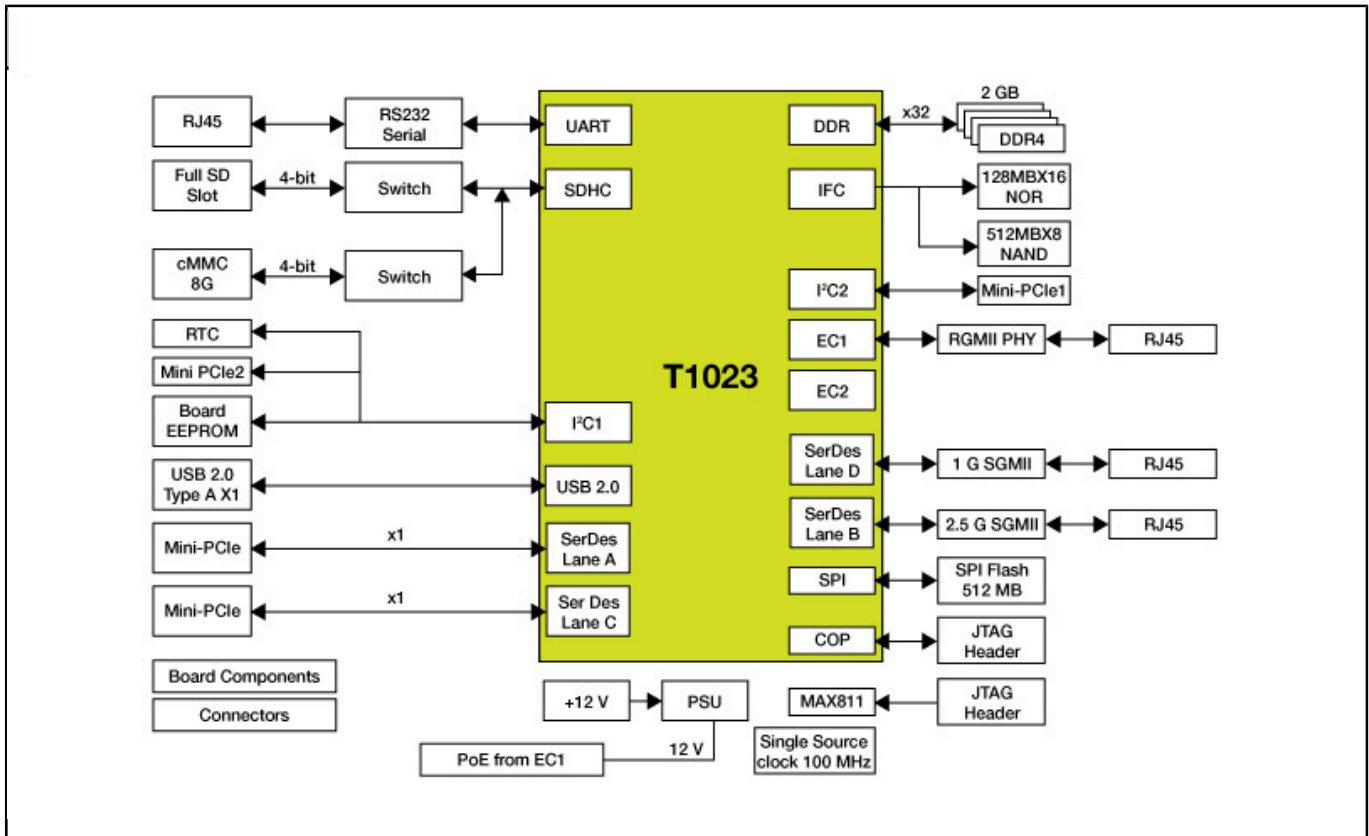
T1023-RDB

Last Updated: Dec 11, 2023

The QorIQ® T1023 Reference Design Board (T1023RDB) is a high-performance evaluation, development and test platform supporting the QorIQ T1023 communications processor. The board will support the evaluation and development of the dual-core T1023 and the single-core T1013 communications processors built on Power Architecture® technology.

This system addresses networking and Ethernet-centric applications, such as mixed control and data plane in fixed routers, switches, Internet access devices, industrial data concentrators, factory automation, firewall and other packet filtering applications, as well as general-purpose embedded computing. The QorIQ T1023RDB will help shorten your time to market. This system is an ideal reference for your hardware and software development, debugging and performance evaluation prior to production.

T1023 RDB BD Block Diagram



View additional information for [QorIQ® T1023 Development Board](#).

Note: The information on this document is subject to change without notice.

www.nxp.com

NXP and the NXP logo are trademarks of NXP B.V. All other product or service names are the property of their respective owners. The related technology may be protected by any or all of patents, copyrights, designs and trade secrets. All rights reserved. © 2024 NXP B.V.