



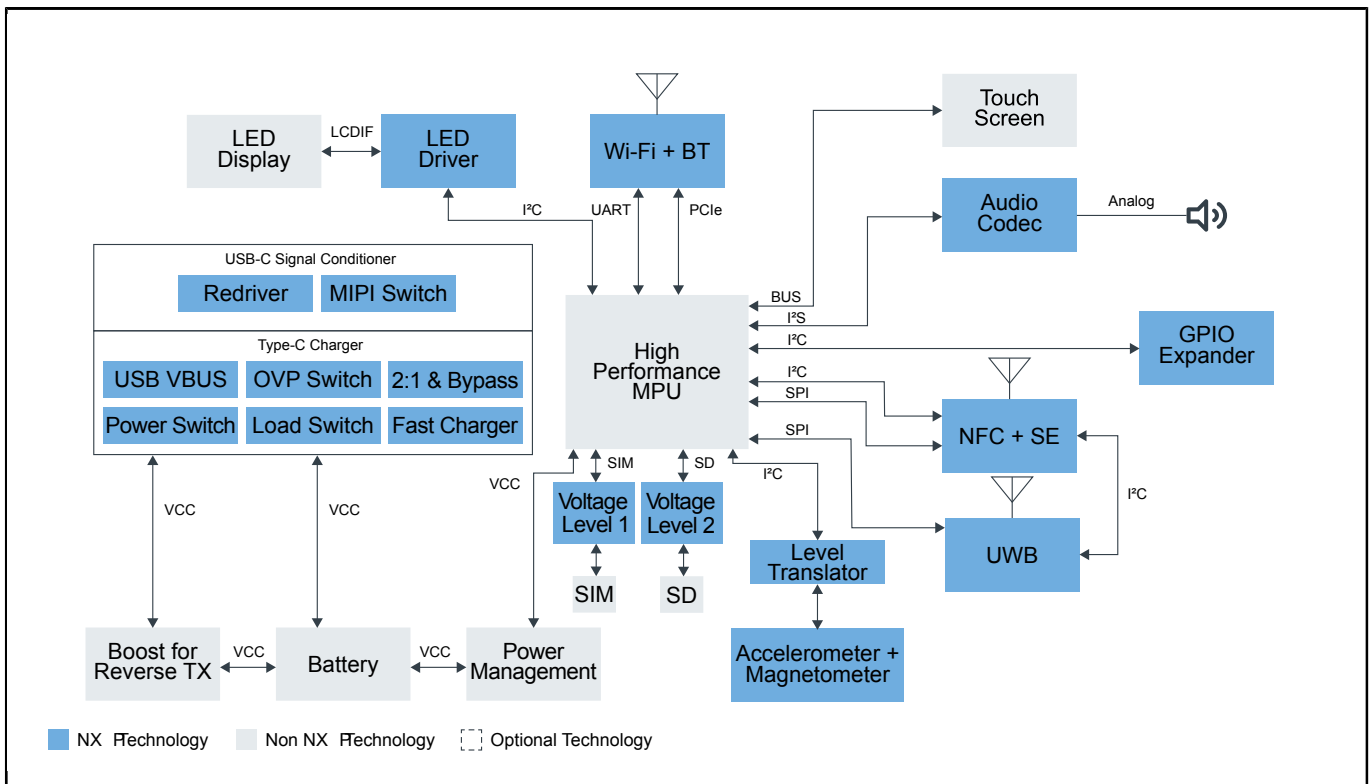
# スマートフォン

Last Updated: Mar 14, 2024

NXPのイノベーションは、モバイルデバイスが日々のデジタルライフのスマートなハブになるにつれて、将来の様々な機能とアプリケーションをモバイルデバイスにもたらしめます。NXPポートフォリオは、モバイルデバイス向けの安全なモバイルウォレットソリューション、eSIM接続、およびUWB対応を提供します。

最大10Gbit/sのデータレートと最大100Wの電力を提供するUSB Type-Cは、新興の製品設計に最適なコネクタを提供し、「代替モード」をサポートする豊富なインターフェイス機能を提供します。また、完全に可逆的なプラグの向きとケーブルの方向を可能にし、USB Type-Cを消費者にとってはるかに便利にし、真のプラグアンドプレイ体験を提供するのに役立ちます。

## スマートフォン Block Diagram



### Recommended Products for スマートフォン

Type C charger	<ul style="list-style-type: none"> <li>• <a href="#">NX30P6093</a>: High-Voltage I<sup>2</sup>C Controlled Overvoltage Protection Load Switch</li> <li>• <a href="#">NX20P3483UK</a>: USB PD and Type-C High-Voltage Sink/Source Combo Switch with Protection</li> <li>• <a href="#">NX30P0121UK</a>: High-Voltage Back-to-Back OVP Switch with Current Sense</li> </ul>
Voltage Level 1	<ul style="list-style-type: none"> <li>• <a href="#">NVT4557</a>: SIM Card Interface Level Translator with EMI Filter and ESD Protection</li> </ul>

Voltage Level 2	<ul style="list-style-type: none"> <li>• <a href="#">NVT4858</a>: SD, SDIO, Mini SD, Micro SD and SIM Card Voltage Level Translator with EMI Filter and ESD Protection</li> </ul>
USB C Signal	<ul style="list-style-type: none"> <li>• <a href="#">PTN36502</a>: Type-C USB 3.1 Gen 1 and DisplayPort V1.2 Combo Redriver</li> <li>• <a href="#">NX3DV642GU</a>: Three-Lane High-Speed MIPI-Compatible Switch</li> </ul>
Wireless	<ul style="list-style-type: none"> <li>• <a href="#">88W8997</a>: 2.4/5 GHzデュアルバンド2x2 Wi-Fi® 5 (802.11ac) + Bluetooth® 5.3ソリューション</li> <li>• <a href="#">WLAN7202C</a>: 5 GHz-7 GHz Wi-Fi® 6E Front-End IC</li> <li>• <a href="#">WLAN7205C</a>: 5 GHz-7 GHz Wi-Fi® 6E Front-End IC</li> <li>• <a href="#">WLAN7207H</a>: 2.4 GHz Wi-Fi® 6 Front-End IC</li> <li>• <a href="#">WLAN7207C</a>: 5 GHz-7 GHz Wi-Fi® 6E Front-End IC</li> </ul>
LED Driver	<ul style="list-style-type: none"> <li>• <a href="#">PCA9632</a>: 4-Bit Fm+ I<sup>2</sup>C-Bus Low-Power LED Driver</li> </ul>
RTC	<ul style="list-style-type: none"> <li>• <a href="#">FXLS8974CF</a>: ±2g/±4g/±8g/±16g, Low-Power 12-Bit Digital IoT Accelerometer</li> </ul>
Audio Codec	<ul style="list-style-type: none"> <li>• <a href="#">SGTL5000</a>: Ultra-Low-Power Audio Codec</li> </ul>
GPIO Expander	<ul style="list-style-type: none"> <li>• <a href="#">PCAL6408A</a>: Low-Voltage Translating, 8-Bit I<sup>2</sup>C-Bus/SMBus I/O Expander</li> </ul>
Level Translator	<ul style="list-style-type: none"> <li>• <a href="#">PCA9306</a>: Dual Bidirectional I<sup>2</sup>C-Bus and SMBus Voltage-Level Translator</li> <li>• <a href="#">P3A9606</a>: Dual Bidirectional I<sup>3</sup>C/I<sup>2</sup>C-Bus and SPI Voltage-Level Translator</li> </ul>
UWB	<ul style="list-style-type: none"> <li>• <a href="#">SR150</a>: Trimension™ SR150 : IoTデバイス向けのセキュアなUWBソリューション</li> </ul>
USB C Signal	<ul style="list-style-type: none"> <li>• <a href="#">PTN36502</a>: Type-C USB 3.1 Gen 1 and DisplayPort V1.2 Combo Redriver</li> <li>• <a href="#">NX3DV642GU</a>: Three-Lane High-Speed MIPI-Compatible Switch</li> </ul>
Type C charger	<ul style="list-style-type: none"> <li>• <a href="#">NX30P6093</a>: High-Voltage I<sup>2</sup>C Controlled Overvoltage Protection Load Switch</li> <li>• <a href="#">NX20P3483UK</a>: USB PD and Type-C High-Voltage Sink/Source Combo Switch with Protection</li> <li>• <a href="#">NX30P0121UK</a>: High-Voltage Back-to-Back OVP Switch with Current Sense</li> </ul>
Type C charger	<ul style="list-style-type: none"> <li>• <a href="#">NX30P6093</a>: High-Voltage I<sup>2</sup>C Controlled Overvoltage Protection Load Switch</li> <li>• <a href="#">NX20P3483UK</a>: USB PD and Type-C High-Voltage Sink/Source Combo Switch with Protection</li> <li>• <a href="#">NX30P0121UK</a>: High-Voltage Back-to-Back OVP Switch with Current Sense</li> </ul>
Type C charger	<ul style="list-style-type: none"> <li>• <a href="#">NX30P6093</a>: High-Voltage I<sup>2</sup>C Controlled Overvoltage Protection Load Switch</li> <li>• <a href="#">NX20P3483UK</a>: USB PD and Type-C High-Voltage Sink/Source Combo Switch with Protection</li> <li>• <a href="#">NX30P0121UK</a>: High-Voltage Back-to-Back OVP Switch with Current Sense</li> </ul>
Type C charger	<ul style="list-style-type: none"> <li>• <a href="#">NX30P6093</a>: High-Voltage I<sup>2</sup>C Controlled Overvoltage Protection Load Switch</li> <li>• <a href="#">NX20P3483UK</a>: USB PD and Type-C High-Voltage Sink/Source Combo Switch with Protection</li> <li>• <a href="#">NX30P0121UK</a>: High-Voltage Back-to-Back OVP Switch with Current Sense</li> </ul>
Type C charger	<ul style="list-style-type: none"> <li>• <a href="#">NX30P6093</a>: High-Voltage I<sup>2</sup>C Controlled Overvoltage Protection Load Switch</li> <li>• <a href="#">NX20P3483UK</a>: USB PD and Type-C High-Voltage Sink/Source Combo Switch with Protection</li> <li>• <a href="#">NX30P0121UK</a>: High-Voltage Back-to-Back OVP Switch with Current Sense</li> </ul>

View our complete solution for [スマートフォン](#).

**Note:** The information on this document is subject to change without notice.

---

**[www.nxp.com](http://www.nxp.com)**

NXP and the NXP logo are trademarks of NXP B.V. All other product or service names are the property of their respective owners. The related technology may be protected by any or all of patents, copyrights, designs and trade secrets. All rights reserved. © 2024 NXP B.V.