



S32G2 Vehicle Networking Reference Design

S32G-VNP-RDB

Archived

アーカイブされたコンテンツは更新されておらず、参考としてのみ利用可能です。

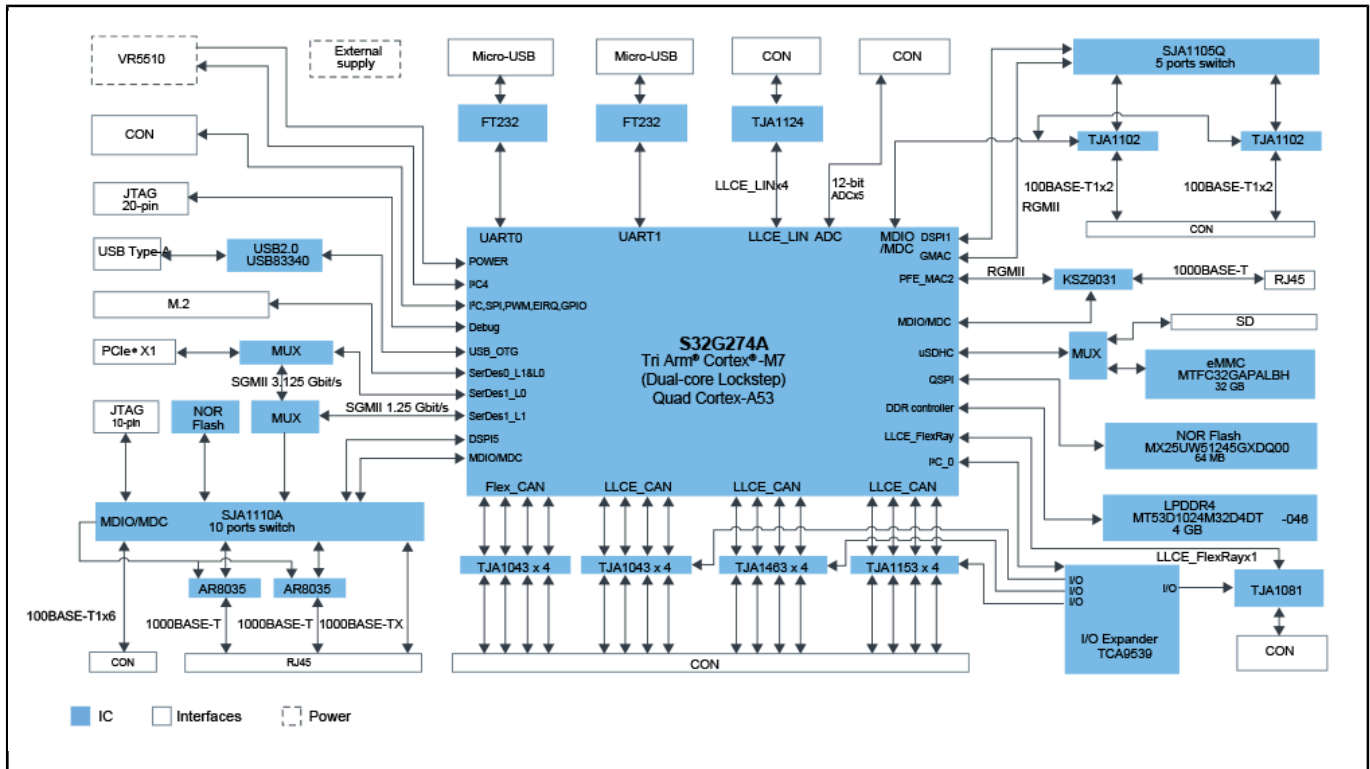
Last Updated: Jun 12, 2023

The S32G-VNP-RDB is an evaluation and development board engineered for developing Vehicle Network Processing applications, such as service-oriented gateways.

Based on quad Arm® Cortex®-A53 cores and triple, dual-core lockstep Arm Cortex-M7 cores, the S32G-VNP-RDB offers a combination of automotive and enterprise networking technology with a wealth of interfaces (CAN/LIN/FlexRay/Ethernet) for vehicle networks, in addition to substantial safe compute performance. The S32G-VNP-RDB includes peripheral devices with PCI Express and USB interfaces that can be leveraged by OEMs, Tier 1s, and software ecosystem partners to shorten time to market.

S32G Vehicle Network Processing Reference Design – Fact Sheet

S32G-VNP-RDB system architecture Block Diagram



View additional information for [S32G2 Vehicle Networking Reference Design](#).

Note: The information on this document is subject to change without notice.

www.nxp.com

NXP and the NXP logo are trademarks of NXP B.V. All other product or service names are the property of their respective owners. The related technology may be protected by any or all of patents, copyrights, designs and trade secrets. All rights reserved. © 2026 NXP B.V.