



# K22 Wireless Player Reference Design

## RDWLPLAYER

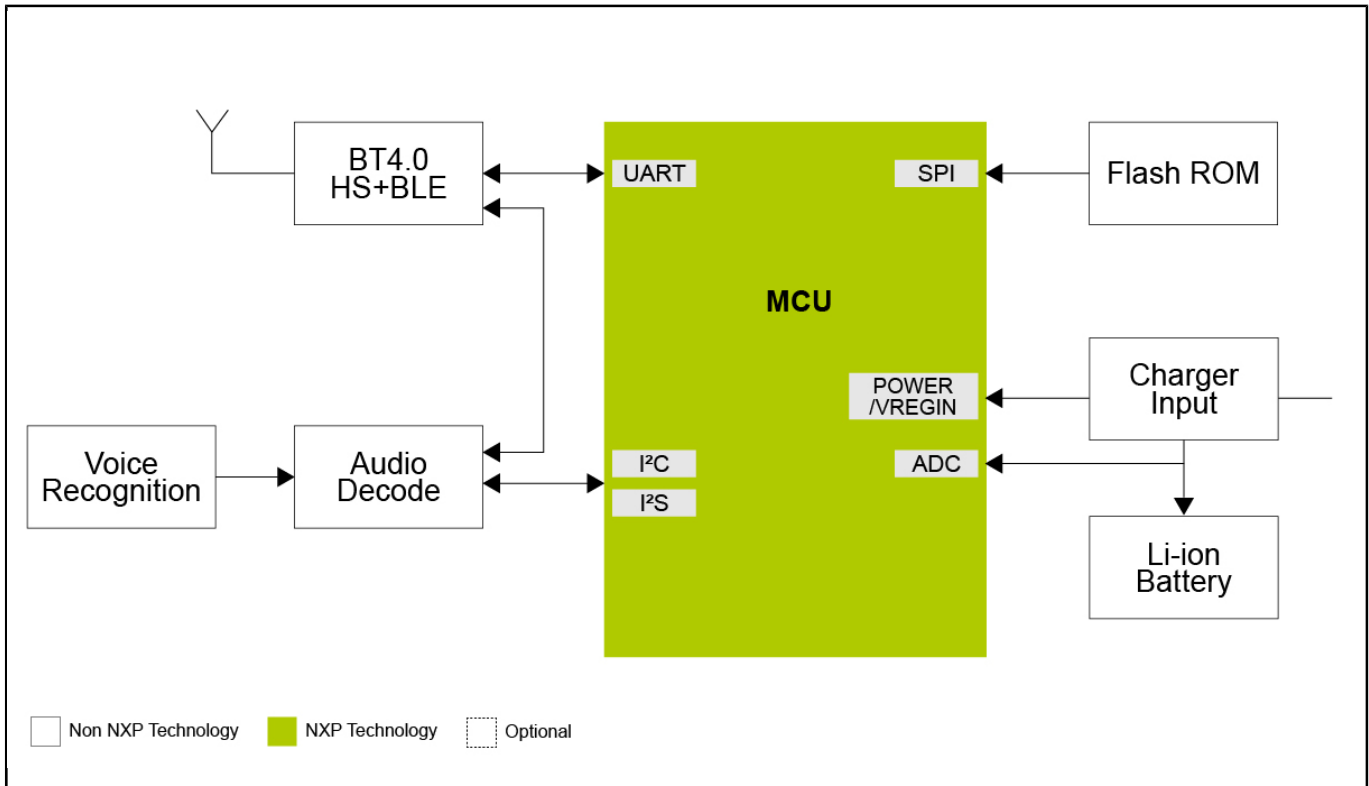
Last Updated: May 1, 2023

This wireless player reference design based on the K22 has the following characteristics:

Stable Bluetooth® connection and data transfer. Ultra-small size with a 3.3 x 3.3mm to 5 x 5mm small package provides more flexibility for product shape design. Ultra low-power flexible extensions. MCU pin-to-pin compatibility enables internal storage space upgrade without the need to modify hardware.

K2x USB MCU Family - Fact Sheet

## K22 Wireless Player Block Diagram



View additional information for [K22 Wireless Player Reference Design](#).

**Note:** The information on this document is subject to change without notice.

**www.nxp.com**

NXP and the NXP logo are trademarks of NXP B.V. All other product or service names are the property of their respective owners. The related technology may be protected by any or all of patents, copyrights, designs and trade secrets. All rights reserved. © 2024 NXP B.V.