



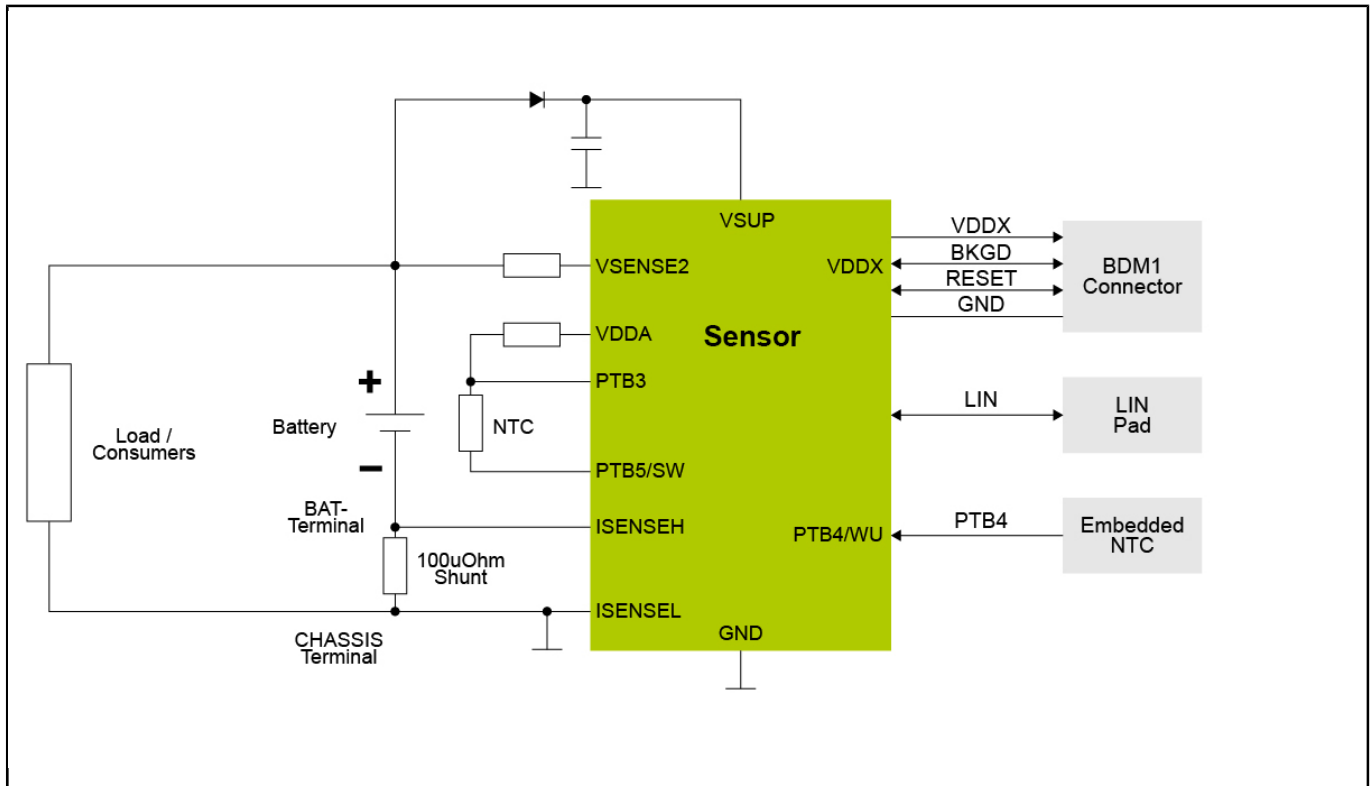
12 V Lead-Acid Battery Management System with LIN

RD9Z1-638-12V

Last Updated: Oct 26, 2023

The RD9Z1-638-12V is a Battery Management System (BMS) built to demonstrate the MM9Z1J638 Battery Sensor Module capabilities in a 12 V lead-acid application where high EMC performance is required to obtain high accuracy measurements on key battery parameters.

12V Battery LIN Block Diagram



View additional information for [12 V Lead-Acid Battery Management System with LIN](#).

Note: The information on this document is subject to change without notice.

www.nxp.com

NXP and the NXP logo are trademarks of NXP B.V. All other product or service names are the property of their respective owners. The related technology may be protected by any or all of patents, copyrights, designs and trade secrets. All rights reserved. © 2024 NXP B.V.