



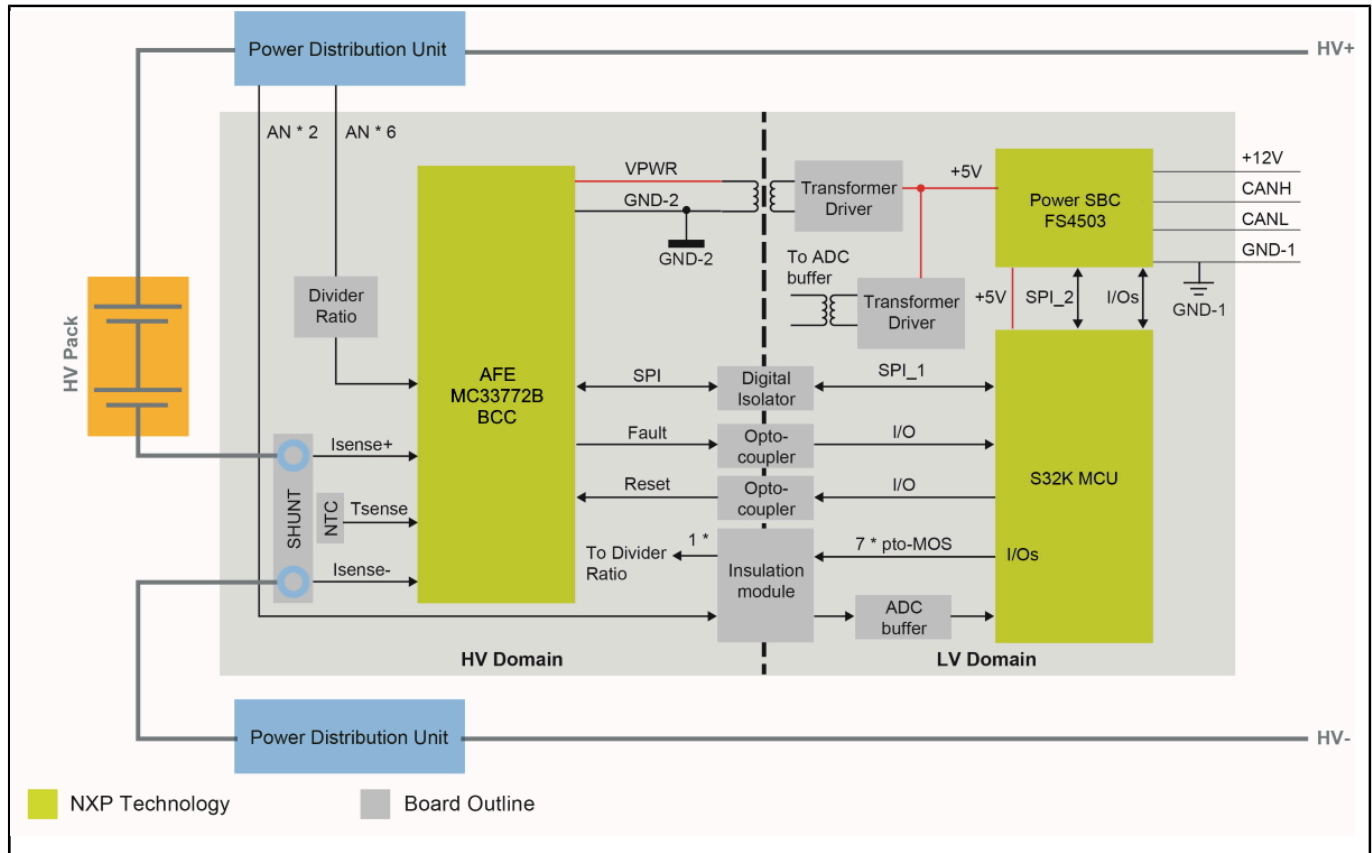
High Voltage Battery Junction Box Reference Design

RD33772BJBEVM

Last Updated: Jul 12, 2024

The high voltage battery junction box reference design aims to accelerate customer project development. It is a standalone function board with high integration, smaller size, flexibility and compatibility with to e-car and e-bus.

RD33772BJBEVM BD Block Diagram



View additional information for [High Voltage Battery Junction Box Reference Design](#).

Note: The information on this document is subject to change without notice.

www.nxp.com

NXP and the NXP logo are trademarks of NXP B.V. All other product or service names are the property of their respective owners. The related technology may be protected by any or all of patents, copyrights, designs and trade secrets. All rights reserved. © 2024 NXP B.V.