



# KL46Z Magnetic Rotary Encoder Reference Design

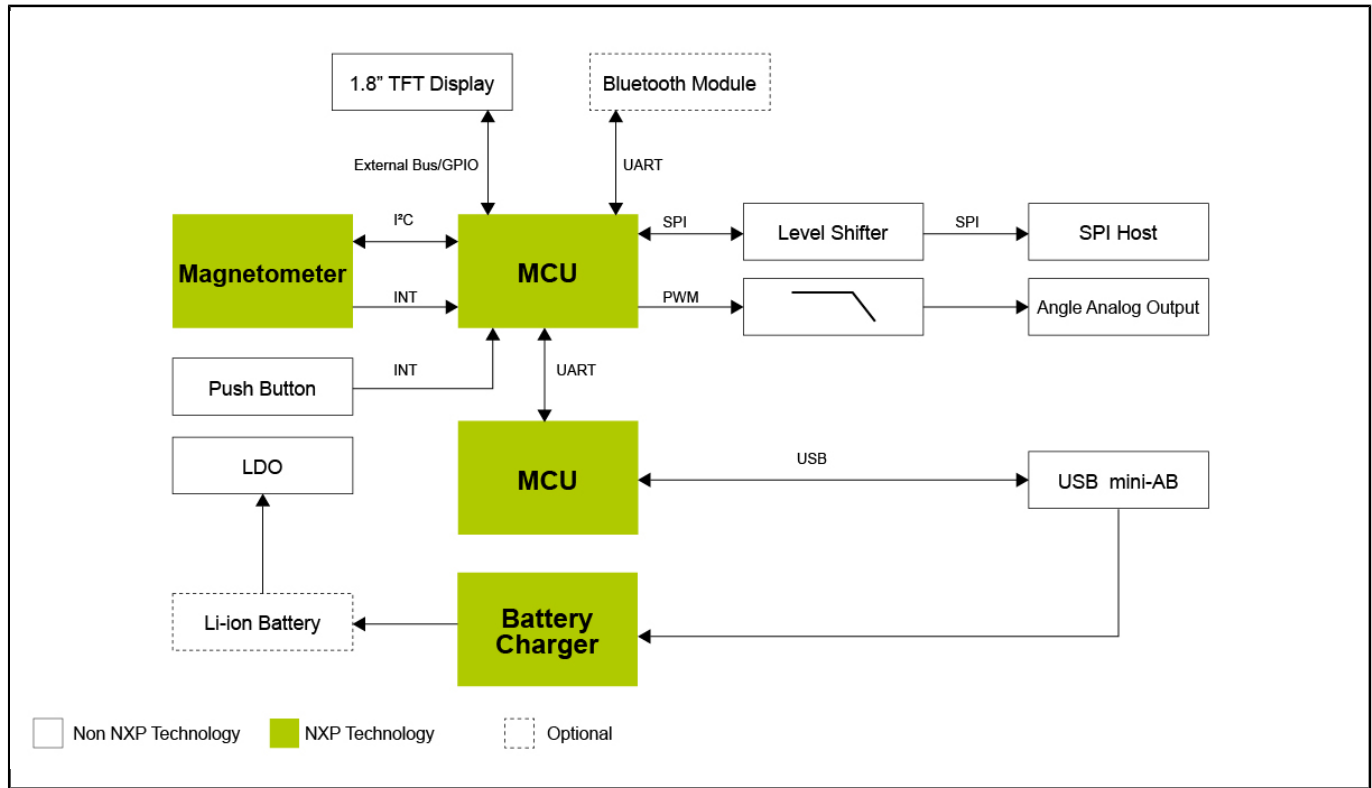
## RD-KL46Z-MRE

Last Updated: May 1, 2023

The Magnetic Rotary Encoder Reference Design is a smart integrated system for angle measurement. It has an embedded algorithm for correction of magnetic data and a placement enabled. It also has a contactless knob to allow control of magnetic placement. The design has an LCD screen and GUI for a complete user experience.

Magnetic Rotary Encoder Reference Design: RD-KL46Z-MRE - Fact Sheet

## Magnetic Rotary Encoder Block Diagram



View additional information for [KL46Z Magnetic Rotary Encoder Reference Design](#).

**Note:** The information on this document is subject to change without notice.

[www.nxp.com](http://www.nxp.com)

NXP and the NXP logo are trademarks of NXP B.V. All other product or service names are the property of their respective owners. The related technology may be protected by any or all of patents, copyrights, designs and trade secrets. All rights reserved. © 2024 NXP B.V.