



Enhanced Performance HDMI/DVI Level Shifter with Active DDC Buffer, Supporting 3 Gbit/s Operation

PTN3365BS

Last Updated: Oct 13, 2023

PTN3365 is a high-speed level shifter device which converts four lanes of low-swing AC-coupled differential input signals to DVI v1.0 and HDMI v1.4b compliant open-drain current-steering differential output signals, up to 3.0 Gbit/s per lane to support 36-bit deep color mode, 4K x 2K video format or 3D video data transport. Each of these lanes provides a level-shifting differential buffer to translate from low-swing AC-coupled differential signaling on the source side, to TMDS-type DC-coupled differential current-mode signaling terminated into 50 Ohms to 3.3 V on the sink side. Additionally, PTN3365 provides a single-ended active buffer for voltage translation of the HPD signal from 5 V on the sink side to 3.3 V on the source side and provides a channel with active buffering and level shifting of the DDC channel (consisting of a clock and a data line) between 3.3 V source-side and 5 V sink-side. The DDC channel is implemented using active I²C-bus buffer technology providing capacitive isolation, redriving and level shifting as well as disablement (isolation between source and sink) of the clock and data lines.

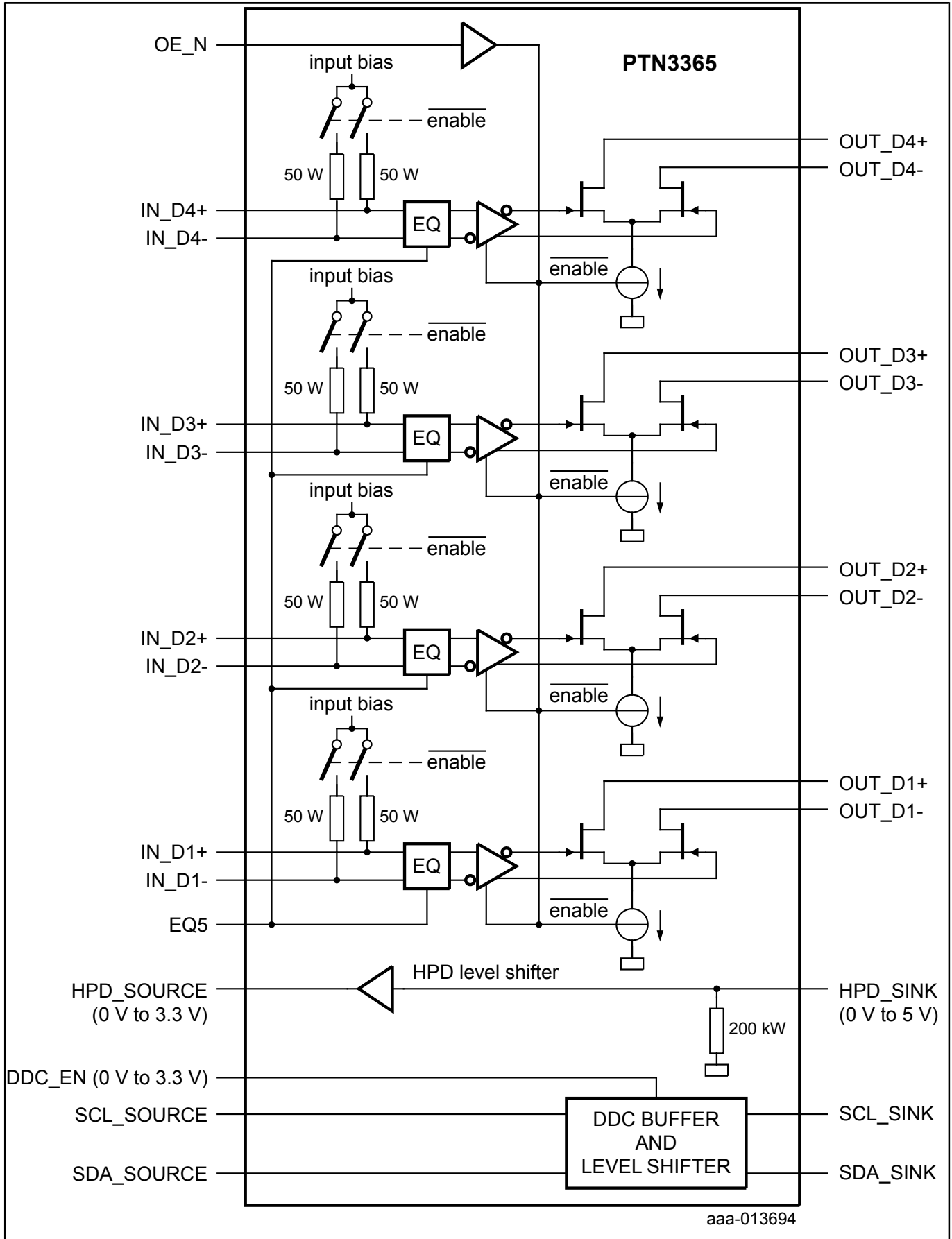
The low-swing AC-coupled differential input signals to PTN3365 typically come from a display source with multi-mode I/O, which supports multiple display standards, for example, DisplayPort, HDMI and DVI. While the input differential signals are configured to carry DVI or HDMI coded data, they do not comply with the electrical requirements of the DVI v1.0 or HDMI v1.4b specification. By using PTN3365, chip set vendors are able to implement such reconfigurable I/Os on multi-mode display source devices, allowing the support of multiple display standards while keeping the number of chip set I/O pins low.

PTN3365 features low-swing self-biasing differential inputs which are compliant to the electrical specifications of DisplayPort Standard v1.2 and/or PCI Express Standard v1.1, and open-drain current-steering differential outputs compliant to DVI v1.0 and HDMI v1.4b electrical specifications. The I²C-bus channel actively buffers as well as level-translates the DDC signals for optimal capacitive isolation. PTN3365 also supports power-saving modes in order to minimize current consumption when no display is active or connected.

PTN3365 is a full-featured HDMI and DVI level shifter.

PTN3365 is powered from a single 3.3 V power supply consuming a small amount of power (230 mW typical) and is offered in a 32-terminal HVQFN32 package.

PTN3365 Block Diagram Block Diagram



View additional information for [Enhanced Performance HDMI/DVI Level Shifter with Active DDC Buffer, Supporting 3 Gbit/s Operation](#).

Note: The information on this document is subject to change without notice.

www.nxp.com

NXP and the NXP logo are trademarks of NXP B.V. All other product or service names are the property of their respective owners. The related technology may be protected by any or all of patents, copyrights, designs and trade secrets. All rights reserved. © 2024 NXP B.V.